



## HORIZON FITNESS HALBLIEGE-ERGOMETER COMFORT R8.0 ANLEITUNG



COMFORT 2.0



COMFORT 4.0



COMFORT 8.1



COMFORT R8.0

**OWNER'S MANUAL  
BENUTZERHANDBUCH  
GEBRUIKERSHANDLEIDING  
MANUEL DU PROPRIÉTAIRE**



Read the **BIKE GUIDE** before using this **OWNER'S MANUAL**.

Lesen Sie das **ERGOMETER-HANDBUCH**, bevor Sie dieses **BENUTZERHANDBUCH** verwenden.

Lees de **FIETSGIDS** voor u deze **GEBRUIKERSHANDLEIDING** gebruikt.

Lisez le **GUIDE DU VÉLO** avant d'utiliser ce **MANUEL DU PROPRIÉTAIRE**.

3	ENGLISH
61	DEUTSCH
119	NEDERLANDS
177	FRANÇAIS

# IMPORTANT PRECAUTIONS



## SAVE THESE INSTRUCTIONS

When using an exercise product, basic precautions should always be followed, including the following: Read all instructions before using this exercise bike. It is the responsibility of the owner to ensure that all users of this exercise bike are adequately informed of all warnings and precautions. If you have any questions after reading this owner's manual, contact your local dealer.



# WARNING

## **READ AND SAVE ALL INSTRUCTIONS BEFORE ASSEMBLING OR USING THIS EXERCISE BIKE. IT IS STRONGLY RECOMMENDED TO TAKE THE FOLLOWING SAFETY INSTRUCTIONS.**

- CAUTION: If you experience chest pains, nausea, dizziness or shortness of breath, stop exercising immediately and consult your physician before continuing.
- Use this exercise bike for its intended purpose as described in this manual. Do not use attachments that have not been recommended by the manufacturer.
- Never operate the exercise bike if it is not working properly, or if it has been damaged. Contact the authorized dealers for examination and repair.
- Do not use the exercise bike without proper footwear. NEVER operate the exercise bike with bare feet.
- Do not wear any clothing that might catch on any moving parts of this exercise bike.
- Keep hands and feet clear at all times from moving parts to avoid injury. Never turn the pedal cranks by hand.
- Do not dismount the exercise bike until the pedals are at a complete STOP.
- Do not attempt to ride the exercise bike in a standing position at high RPMs until you have practiced at slower speeds.
- Do not insert any object, hands or feet into any openings, or expose hands, arms or feet to the drive mechanism or other potentially moving part of the exercise bike.
- Do not operate where aerosol (spray) products are being used or when oxygen is being administered.
- Close supervision is necessary when used near children, invalids or disabled people.
- When the exercise bike is in use, young children and pets should be kept at least 3 meters / 10 feet away.
- Ensure that adjustment levers (seat and handlebar fore-and-aft) are properly secured and do not interfere with range of motion during exercise.
- This application is for home and indoor use only.
- This application with speed independent system.
- If any of the adjustment devices are left projecting, they could interfere with the user's movement.
- WARNING! Heart rate monitoring systems may be inaccurate. Over exercising may result in serious injury or death. If you feel faint stop exercising immediately.

# ASSEMBLY



## WARNING

There are several areas during the assembly process that special attention must be paid. It is very important to follow the assembly instructions correctly and to make sure all parts are firmly tightened. If the assembly instructions are not followed correctly, the exercise bike could have parts that are not tightened and will seem loose and may cause irritating noises. To prevent damage to the exercise bike, the assembly instructions must be reviewed and corrective actions should be taken.

Before proceeding, find your exercise bike's serial number located on the front stabilizer tube and enter it in the space provided below.

ENTER YOUR SERIAL NUMBER AND MODEL NAME IN THE BOX BELOW:

SERIAL NUMBER:

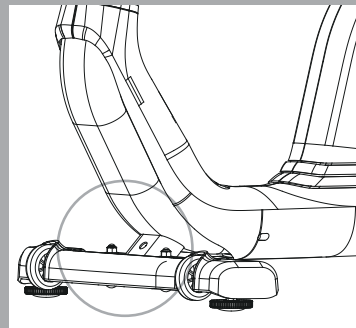
--	--	--	--	--	--	--	--	--	--	--	--	--	--	--	--	--	--	--	--	--

MODEL NAME: **HORIZON**

--	--	--	--	--	--	--	--	--	--	--	--	--	--	--	--	--	--	--	--	--

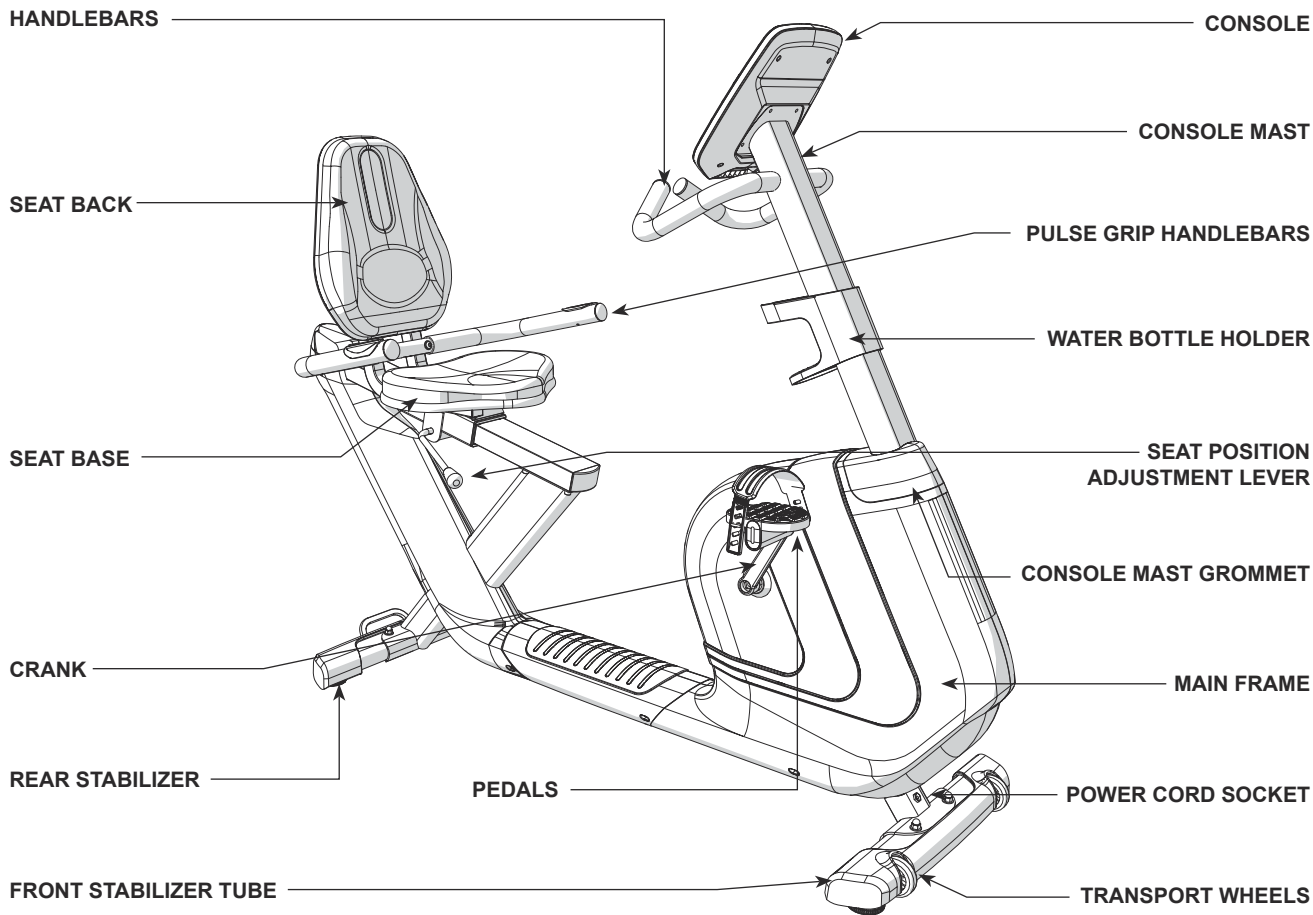
» Refer to the SERIAL NUMBER and MODEL NAME when calling for service.

## SERIAL NUMBER LOCATION





Comfort  
R8.0



## TOOLS REQUIRED:

- 13/15mm Flat Wrench/Screwdriver
- 5mm L-Wrench
- 6mm L-Wrench

## PARTS INCLUDED:

- 1 Main Frame
- 1 Console
- 1 Console Mast
- 1 Console Mast Grommet
- 1 Water Bottle Holder
- 1 Front Stabilizer Tube
- 1 Rear Stabilizer Tube
- 1 Seat Base
- 1 Seat Back
- 1 Seat Frame
- 1 Seat Frame Cover
- 1 Pulse Grip Handlebars
- 2 Pedals with Straps
- 1 Audio Adapter Cable
- 1 Power Cord
- 1 Hardware Kit

# RECUMBENT BIKE PRE ASSEMBLY

## UNPACKING

Unpack the product where you will be using it. Place the bike carton on a level flat surface. It is recommended that you place a protective covering on your floor. Never open box when it is on its side.

## IMPORTANT NOTES

During each assembly step, ensure that ALL nuts and bolts are in place and partially threaded. It is recommended you complete the full assembly of your unit before completely tightening any ONE bolt.

Several parts have been pre-lubricated to aid in assembly and usage. Please do not wipe this off. If you have difficulty, a light application of lithium bike grease is recommended.

## NEED HELP?

If you have questions or if there are any missing parts, contact your local dealer. Contact information may be located on the back panel of your manual or on the warranty card.



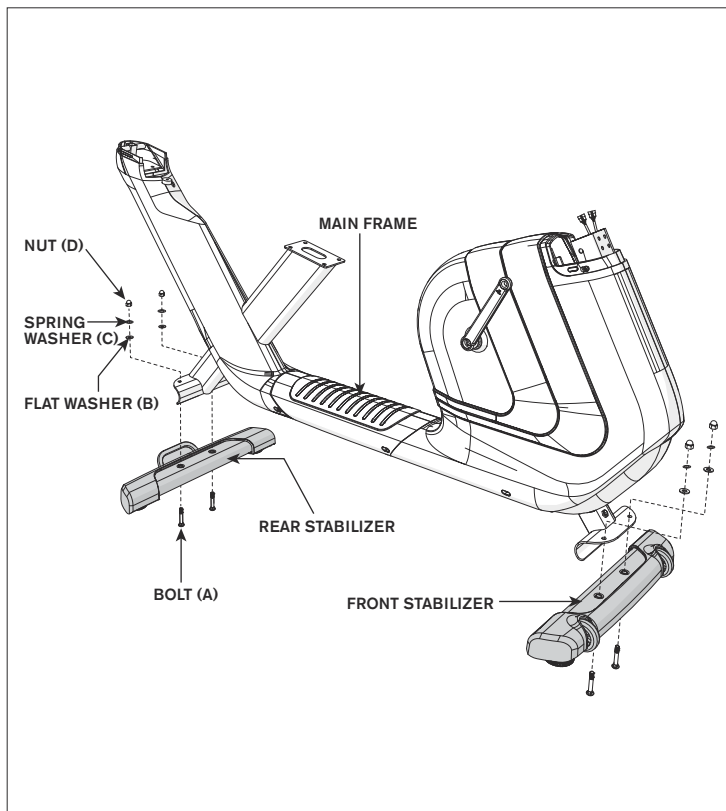
omfort  
R8.0







# RECUMBENT BIKE ASSEMBLY STEP 1



Comfort  
R8.0



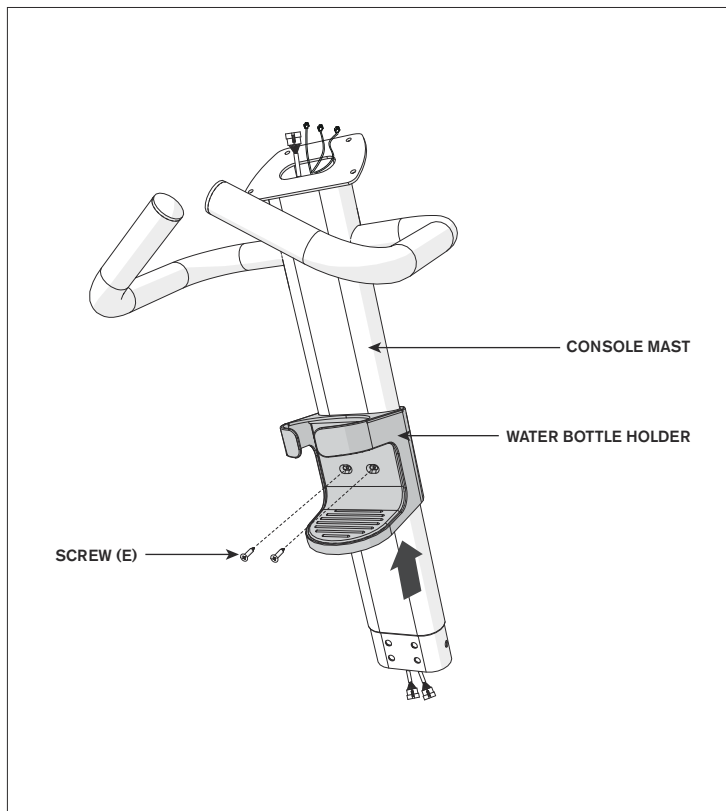
## HARDWARE FOR STEP 1

 BOLT (A) M8 X 56 MM QTY: 4	 FLAT WASHER (B) Φ9X Φ18 X 2.0T MM QTY: 4
 SPRING WASHER (C) M8 X 2.0T MM QTY: 4	 NUT (D) M8 QTY: 4

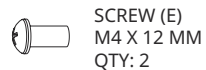
- A Open **HARDWARE FOR STEP 1**.
- B Attach the **REAR STABILIZER** to the **MAIN FRAME** using **2 BOLTS (A)**, **2 FLAT WASHERS (B)**, **2 SPRING WASHERS (C)** and **2 NUTS (D)**.
- C Attach the **FRONT STABILIZER** to the **MAIN FRAME** using **2 BOLTS (A)**, **2 FLAT WASHERS (B)**, **2 SPRING WASHERS (C)** and **2 NUTS (D)**.

Note: Lifting up the machine will help your assembly. First put in place the stabilizer and then insert the bolts will also make your assembly easier.

# RECUMBENT BIKE ASSEMBLY **STEP 2**



## HARDWARE FOR STEP 2



SCREW (E)  
M4 X 12 MM  
QTY: 2

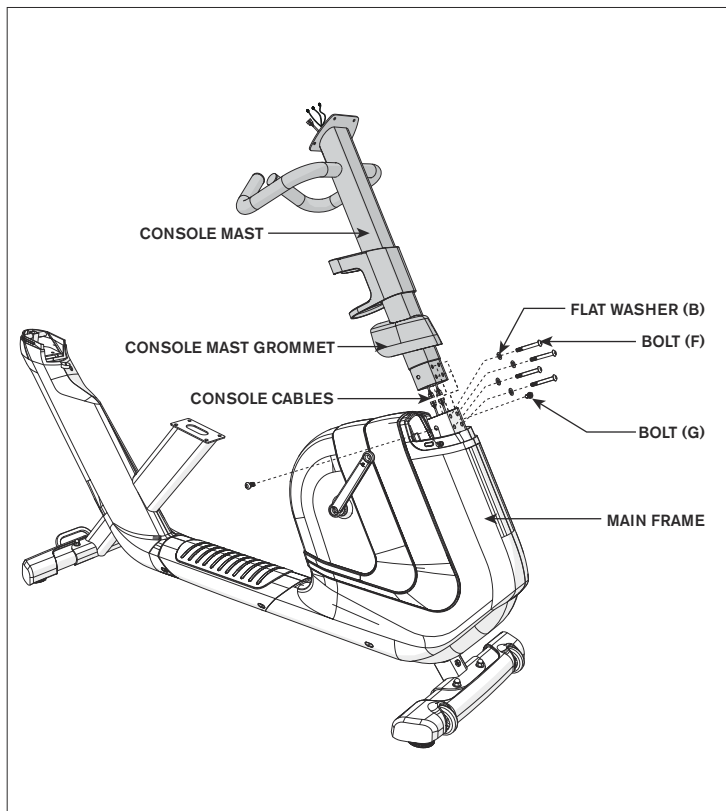
- A Open **HARDWARE FOR STEP 2**.
- B Slide **WATER BOTTLE HOLDER** up **CONSOLE MAST** and align screw holes in **WATER BOTTLE HOLDER** with holes in **CONSOLE MAST**.
- C Attach the **WATER BOTTLE HOLDER** using 2 **SCREWS (E)**.




# RECUMBENT BIKE ASSEMBLY STEP 3





Comfort  
R8.0



## HARDWARE FOR STEP 3

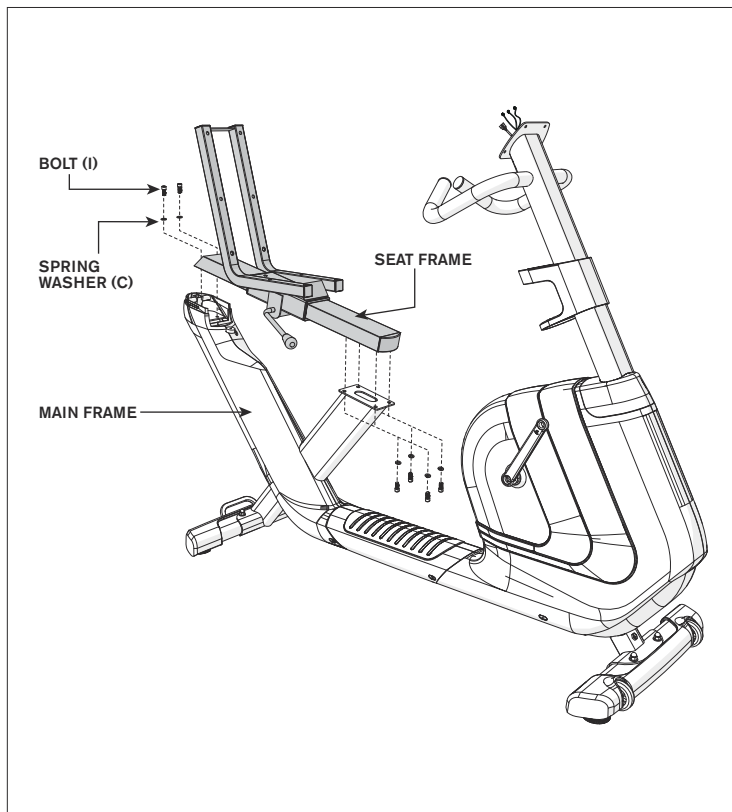
 BOLT (F)  
M8 X 60 MM  
QTY: 4

 BOLT (G)  
M8 X 18 MM  
QTY: 2


 FLAT WASHER (B)  
Φ9 X Φ18 X 2.0T MM  
QTY: 4


- A Open **HARDWARE FOR STEP 3**.
- B Slide **CONSOLE MAST GROMMET** from the bottom up the **CONSOLE MAST**.
- C Attach **CONSOLE CABLES** and carefully tuck all cables into **MAIN FRAME**. Slide **CONSOLE MAST** into **MAIN FRAME**.
- D Attach the **CONSOLE MAST** using 2 **BOLTS (G)** from the sides and 4 **BOLTS (F)** and 4 **FLAT WASHERS (B)** from the front.
- E Slide **CONSOLE MAST GROMMET** down over **MAIN FRAME**.

# RECUMBENT BIKE ASSEMBLY STEP 4



## HARDWARE FOR STEP 4

 BOLT (I)  
M8 X 18 MM  
QTY: 6

 SPRING WASHERS (C)  
M8 X 2.0T MM  
QTY: 6

- A Open **HARDWARE FOR STEP 4**.
- B Attach **SEAT FRAME** to the **MAIN FRAME** using 6 **SOCKET HEAD CAP SCREWS (I)** and 6 **SPRING WASHERS (C)** as shown.

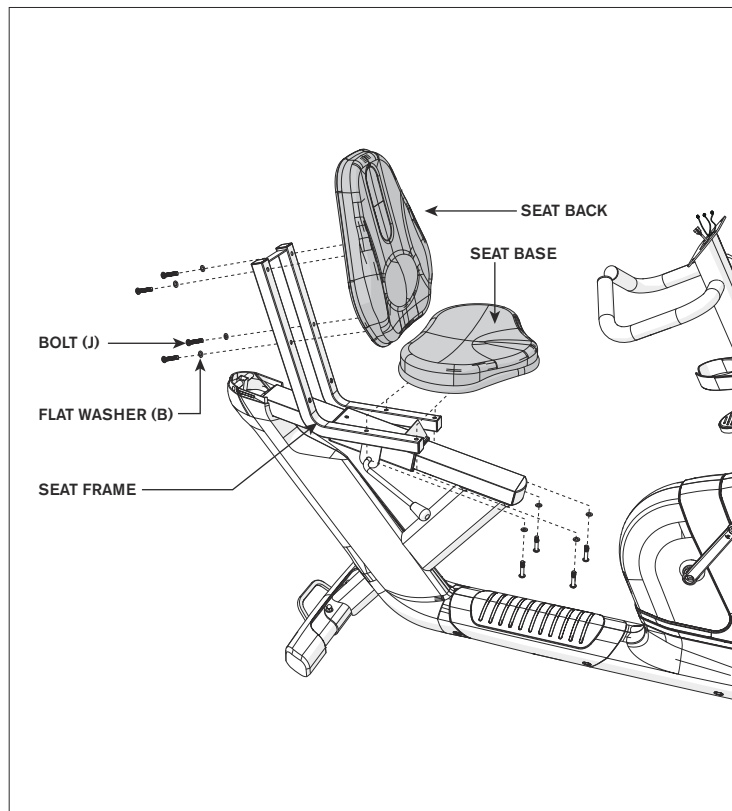


omfort  
R8.0

# RECUMBENT BIKE ASSEMBLY STEP 5




Comfort  
R8.0



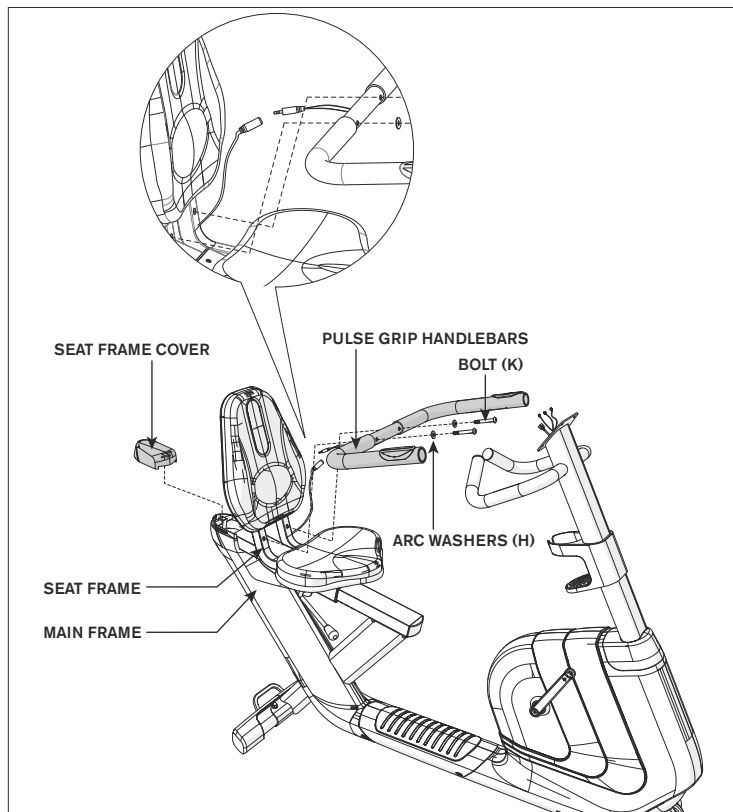
## HARDWARE FOR STEP 5

 BOLT (J)  
M8 X 45 MM  
QTY: 8

 FLAT WASHER (B)  
Φ9 XΦΦ18 X 2.0T MM  
QTY: 8

- A Open **HARDWARE FOR STEP 5**.
- B Attach **SEAT BASE** to **SEAT FRAME** using 4 **BOLTS (J)** and 4 **FLAT WASHERS (B)**.
- C Attach **SEAT BACK** to **SEAT FRAME** using 4 **BOLTS (J)** and 4 **FLAT WASHERS (B)**.

# RECUMBENT BIKE ASSEMBLY STEP 6



## HARDWARE FOR STEP 6

- A Open **HARDWARE FOR STEP 6**.
- B Attach **PULSE GRIP HANDLEBARS** to the **SEAT FRAME** using 2 **BOLTS (K)** and 2 **ARC WASHERS (H)**.
- C Attach **SEAT FRAME COVER** to **MAIN FRAME** as shown.
- D Attach the heart rate wires from the **PULSE GRIP HANDLEBARS** to the heart rate wires on the **MAIN FRAME**.

Note: Before assembly the handle make sure the handle is in right position with heart rate grip facing up and cable down.

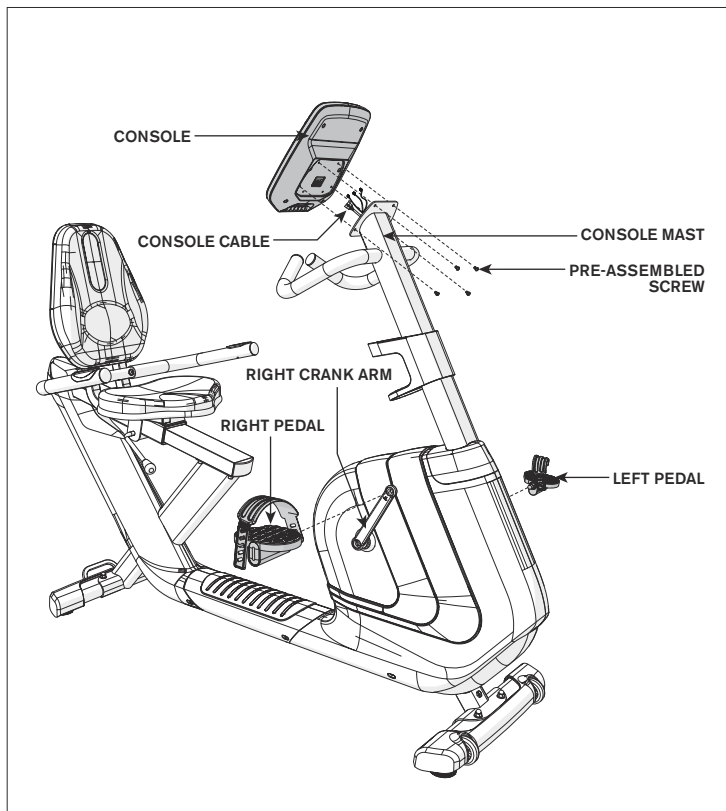


omfort  
R8.0


# RECUMBENT BIKE ASSEMBLY STEP 7



Comfort  
R8.0



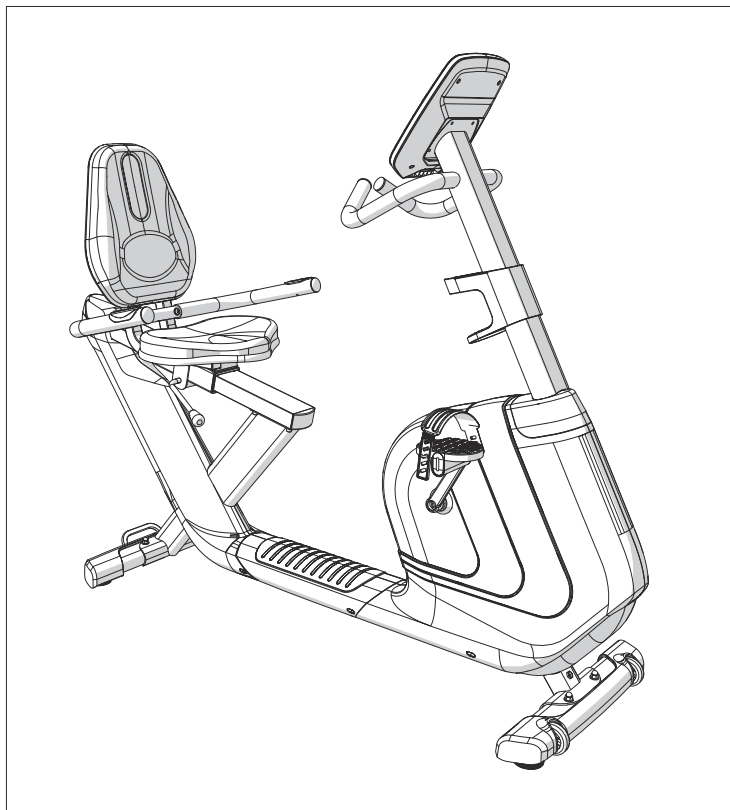
## HARDWARE FOR STEP 7

-  PRE-ASSEMBLED  
SCREW  
M5 X 7 MM  
QTY: 4

- A** **HARDWARE FOR STEP 7** is pre-installed.
- B** Attach the **RIGHT PEDAL** to the **RIGHT CRANK ARM**, tightening it clockwise with the provided 13mm/15mm flat wrench.
- C** Attach the **LEFT PEDAL** onto the left crank arm, tightening it counter-clockwise with the provided 13mm/15mm flat wrench. (NOTE: The left crank arm is reversed threaded so it is very important that it is tightened counter-clockwise. Tightening it the opposite way can damage the pedal or the crank arm or both.)
- D** Connect the **CONSOLE CABLE** and carefully tuck into the **CONSOLE MAST**.
- E** Attach the **CONSOLE** to the **CONSOLE MAST** using 4 **PRE-ASSEMBLED SCREWS**.

Note: You may need a 15mm wrench to assemble the pedal. Please be care not to pinch yourself when assembling.

# RECUMBENT BIKE ASSEMBLY



**ASSEMBLY COMPLETE!**

## **Comfort R8.0**

Overall Dimension: 165 x 64 x 135 cm

Net Weight: 49.5 kg / 109 lbs.

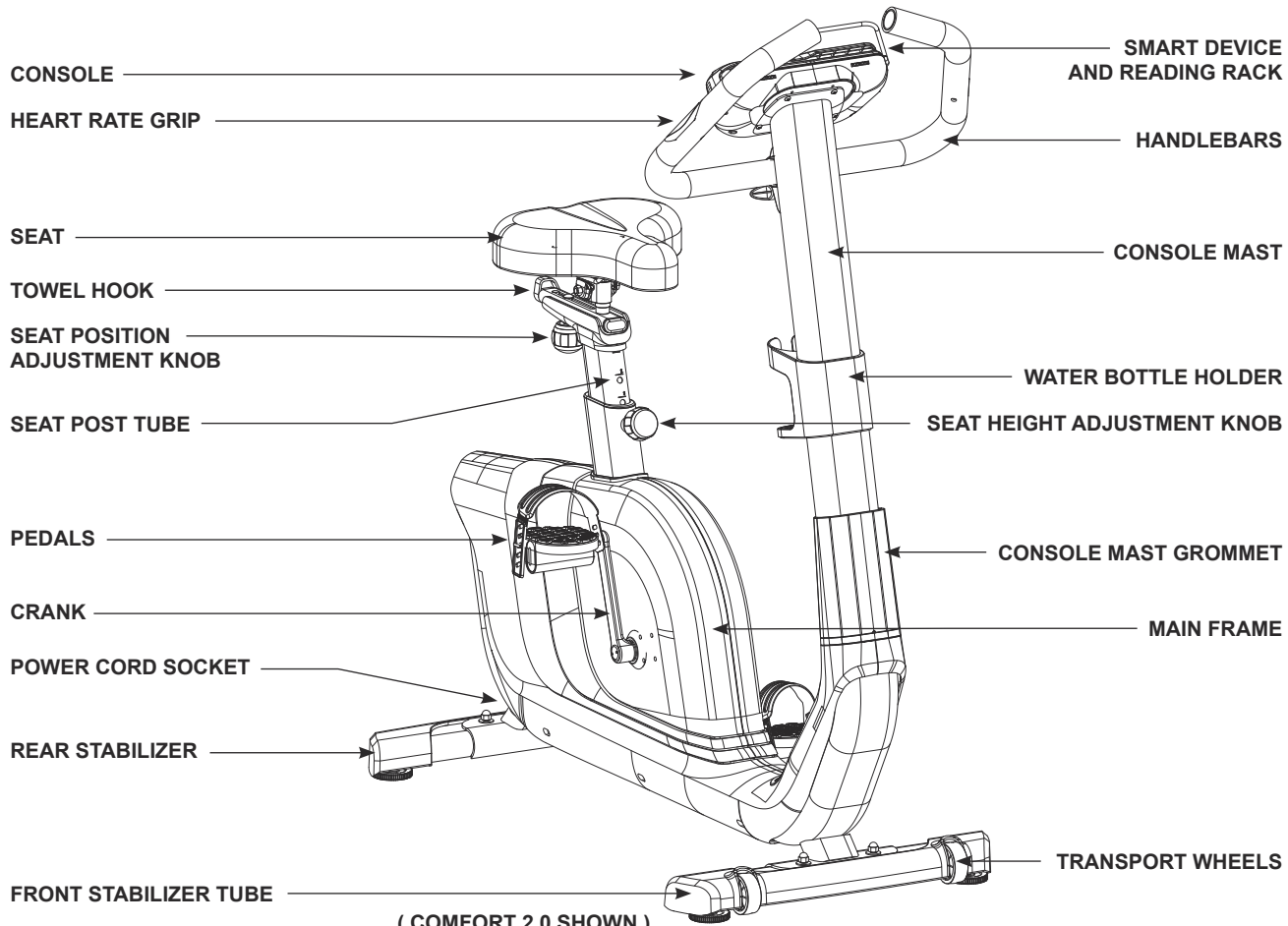
Gross Weight: 56.5 kg / 124 lbs.

Max. User Weight: 136 kg / 300 lbs.



omfort  
R8.0





## TOOLS REQUIRED:

- 13/15mm Flat Wrench/Screwdriver
- 6mm L-Wrench

## PARTS INCLUDED:

- 1 Main Frame
- 1 Console
- 1 Console Mast
- 1 Console Mast Grommet
- 1 Water Bottle Holder
- 1 Front Stabilizer
- 1 Rear Stabilizer
- 1 Seat
- 1 Seat Post Tube
- 2 Pedals with Straps
- 1 Audio Adapter Cable
- 1 Power Cord
- 1 Hardware Kit

# UPRIGHT BIKE PRE ASSEMBLY

---

## UNPACKING

Unpack the product where you will be using it. Place the bike carton on a level flat surface. It is recommended that you place a protective covering on your floor. Never open box when it is on its side.

## IMPORTANT NOTES

During each assembly step, ensure that ALL nuts and bolts are in place and partially threaded. It is recommended you complete the full assembly of your unit before completely tightening any ONE bolt.

Several parts have been pre-lubricated to aid in assembly and usage. Please do not wipe this off. If you have difficulty, a light application of lithium bike grease is recommended.

## NEED HELP?

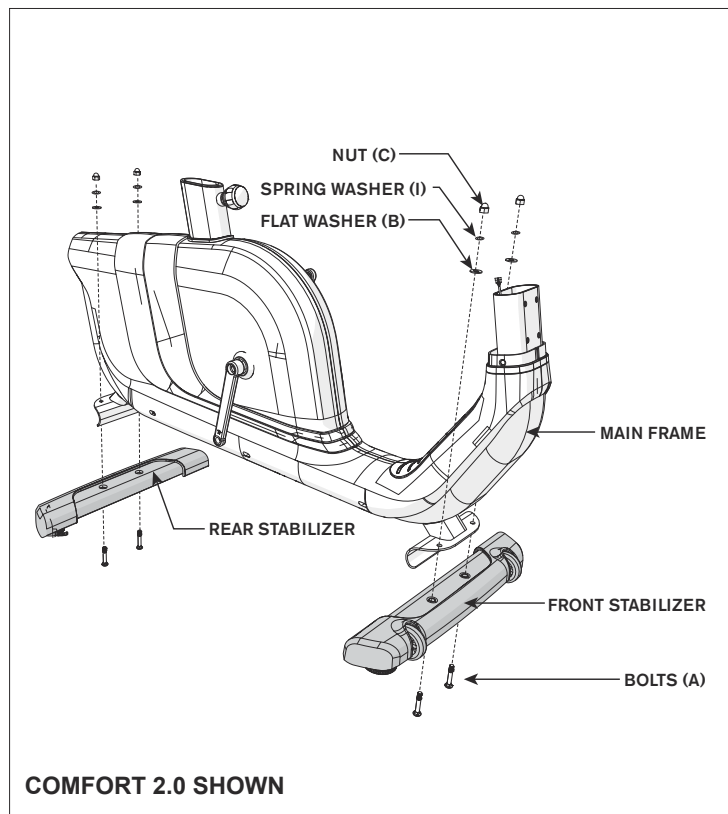
If you have questions or if there are any missing parts, contact your local dealer. Contact information may be located on the back panel of your manual or on the warranty card.



# UPRIGHT BIKE ASSEMBLY STEP 1



Comfort  
Upright  
Bike



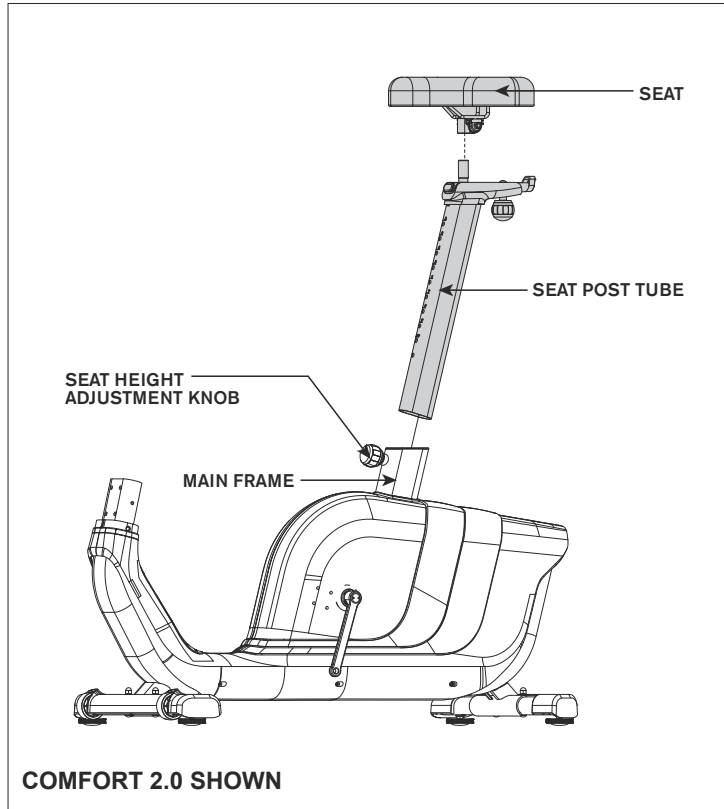
## HARDWARE FOR STEP 1

 BOLT (A) M8 X 56 MM QTY: 4	 FLAT WASHER (B) Φ9 XΦΦ20 X 2.0T MM QTY: 4
 NUT (C) M8 QTY: 4	 SPRING WASHER (I) M8 X 2.0T MM QTY: 4

- A Open **HARDWARE FOR STEP 1**.
- B Attach the **REAR STABILIZER** to the **MAIN FRAME** using 2 **BOLTS (A)**, 2 **FLAT WASHERS (B)**, 2 **SPRING WASHER (I)** and 2 **NUTS (C)**.
- C Attach the **FRONT STABILIZER** to the **MAIN FRAME** using 2 **BOLTS (A)**, 2 **FLAT WASHERS (B)**, 2 **SPRING WASHER (I)** and 2 **NUTS (C)**.

Note: Lifting up the machine will help your assembly. First put in place the stabilizer and then insert the bolts will also make your assembly easier.

## UPRIGHT BIKE ASSEMBLY STEP 2



Note: There is no hardware needed at this step.

- A Attach the **SEAT** to the **SEAT POST TUBE** and tighten the **SEAT NUTS** by using 13mm wrench. (You may need additional 13mm wrench to make the seat assembly more easier.)
- B Loosen the **SEAT HEIGHT ADJUSTMENT KNOB** by turning it two half turns counter-clockwise.
- C Then pull the **SEAT HEIGHT ADJUSTMENT KNOB** outward while sliding the **SEAT POST TUBE** into the **MAIN FRAME**.

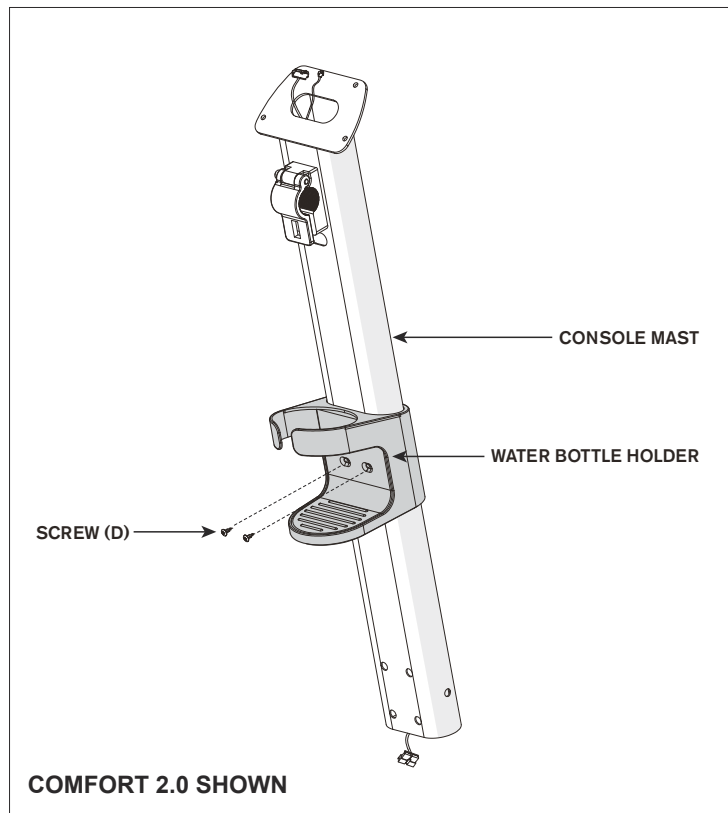
Note: While assembling the SEAT please make sure the seat is in right position. Tilt up the front of the SEAT might help you gain a more stable riding experience.



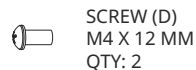
## UPRIGHT BIKE ASSEMBLY **STEP 3**



Comfort  
Upright  
Bike



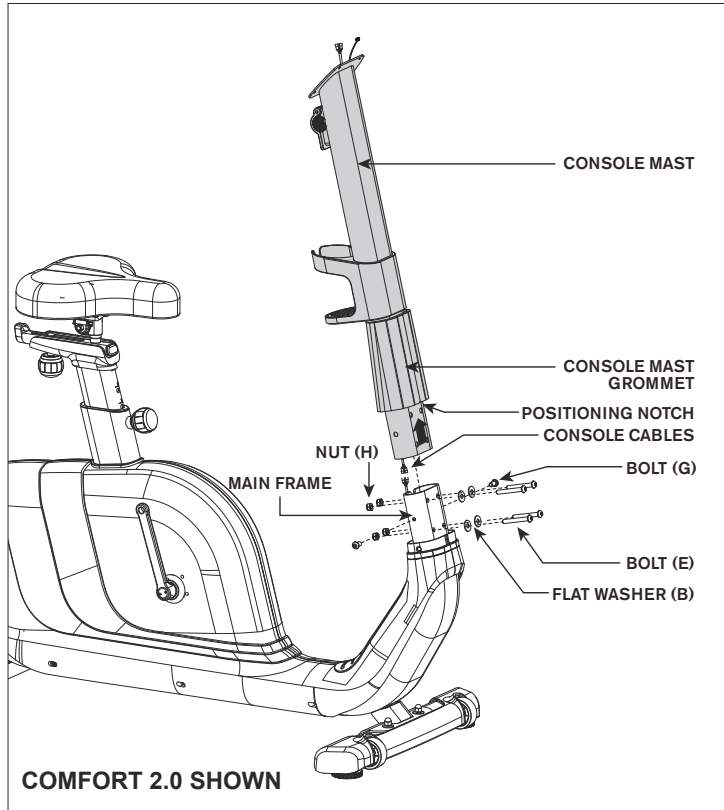
### HARDWARE FOR STEP 3



- A Open **HARDWARE FOR STEP 3**.
- B Slide **WATER BOTTLE HOLDER** up **CONSOLE MAST** and align screw holes in **WATER BOTTLE HOLDER** with holes in **CONSOLE MAST**.
- C Attach the **WATER BOTTLE HOLDER** using 2 **SCREWS (D)**.

Note: Be careful not to pinch any cable while assembling.

# UPRIGHT BIKE ASSEMBLY STEP 4



## HARDWARE FOR STEP 4

	BOLT (E) M8 X 60 MM QTY: 4		FLAT WASHER (B) Φ9 XΦΦ20 X 2.0T MM QTY: 4
	BOLT (G) M8 X 15 MM QTY: 2		NUT (H) M8 QTY: 4

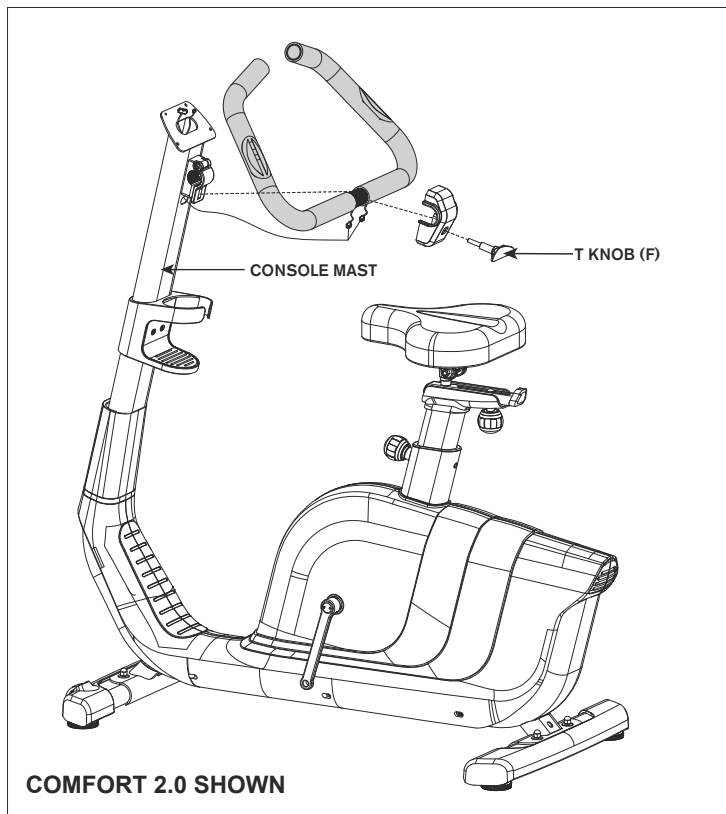
- A Open **HARDWARE FOR STEP 4**.
- B Slide **CONSOLE MAST GROMMET** from the bottom up the **CONSOLE MAST** with the small **POSITIONING NOTCH** facing forward.
- C Attach **CONSOLE CABLES** and carefully tuck all cables into **MAIN FRAME**. Slide **CONSOLE MAST** into **MAIN FRAME**.
- D Attach the **CONSOLE MAST** using 2 **BOLTS (G)** from the sides and 4 **BOLTS (E)**, 4 **FLAT WASHERS (B)**, 4 **NUTS (H)**.
- E Slide **CONSOLE MAST GROMMET** down over **MAIN FRAME**.



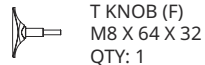
# UPRIGHT BIKE ASSEMBLY STEP 5



Comfort  
Upright  
Bike



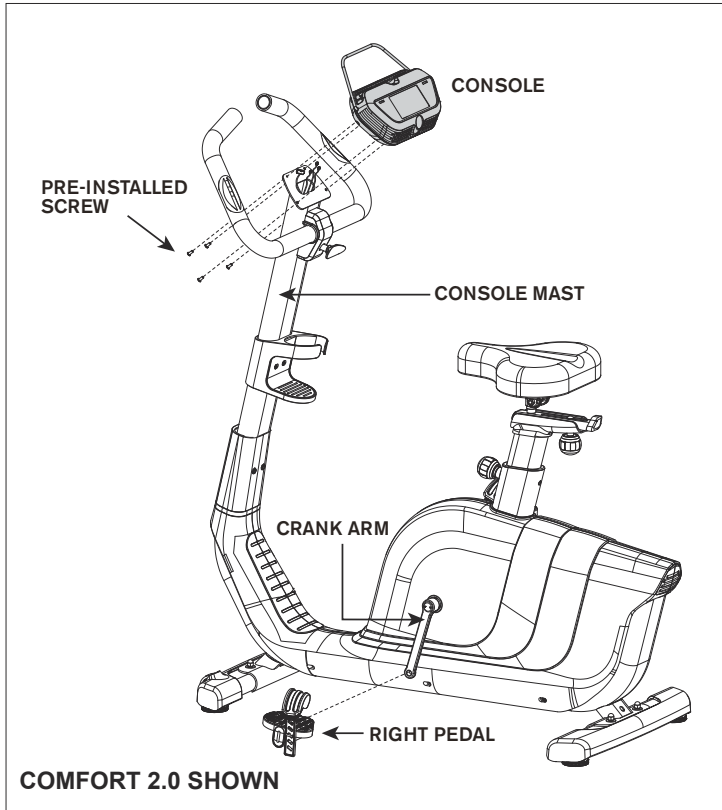
## HARDWARE FOR STEP 5



- A Open **HARDWARE FOR STEP 5**.
- B Holding **HANDLEBAR** close to **CONSOLE MAST** and feed the **HANDLEBAR WIRES** through the hole in the **CONSOLE MAST** and out the top of the **CONSOLE MAST**.
- C Attach handlebar to **CONSOLE MAST** using 1 **T KNOB (F)**.

Note: You may need extra help to route the heart rate cable and tighten the handlebar.

# UPRIGHT BIKE ASSEMBLY STEP 6



Note: There is no hardware needed at this step.

- A **HARDWARE** is pre-installed.
- B Attach the **RIGHT PEDAL** to the **RIGHT CRANK ARM**, tightening it clockwise with the provided 13mm/15mm flat wrench.
- C Attach the **LEFT PEDAL** onto the left crank arm, tightening it counter-clockwise with the provided 13mm/15mm flat wrench. (NOTE: The left crank arm is reversed threaded so it is very important that it is tightened counter-clockwise. Tightening it the opposite way can damage the pedal or the crank arm or both.)
- D Connect the **CONSOLE CABLE** and carefully tuck into the **CONSOLE MAST**.
- E Attach the **CONSOLE** to the **CONSOLE MAST** using 4 **PRE-INSTALLED SCREWS**.

Note: You may need a 15mm wrench to assemble the pedal. Please be care not to pinch yourself when assembling.

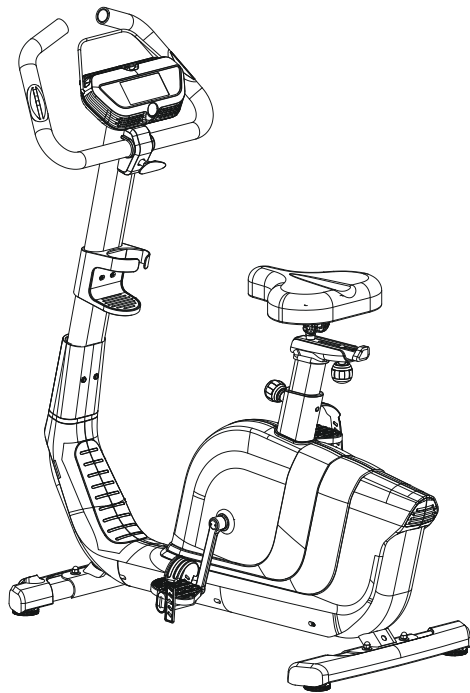




# UPRIGHT BIKE ASSEMBLY



Comfort  
Upright  
Bike



**COMFORT 2.0 SHOWN**

**ASSEMBLY COMPLETE!**

## **Comfort 2.0**

Overall Dimension: 120 x 55 x 134 cm

Net Weight: 35.5 kg / 78 lbs.

Gross Weight: 41 kg / 90 lbs.

Max. User Weight: 136 kg / 300 lbs.

## **Comfort 4.0**

Overall Dimension: 120 x 55 x 134 cm

Net Weight: 38 kg / 84 lbs.

Gross Weight: 43.5 kg / 96 lbs.

Max. User Weight: 136 kg / 300 lbs.

## **Comfort 8.1**

Overall Dimension: 120 x 55 x 134 cm

Net Weight: 38 kg / 84 lbs.

Gross Weight: 43.5 kg / 96 lbs.

Max. User Weight: 136 kg / 300 lbs.

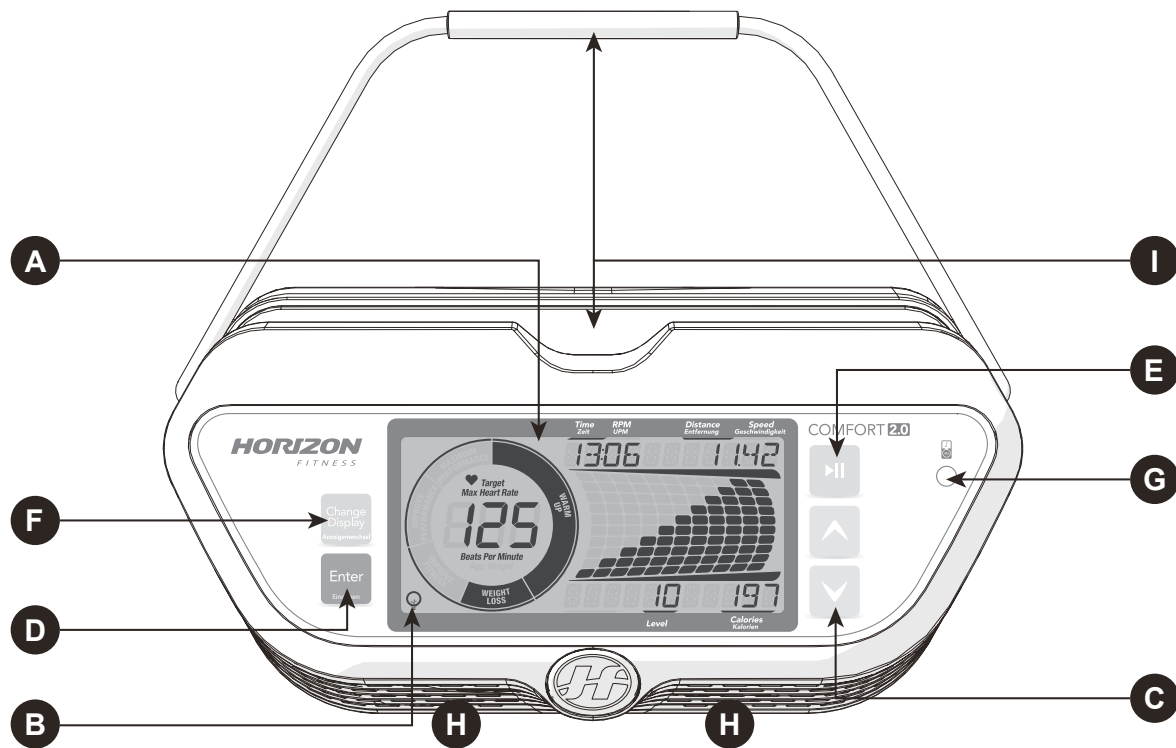
# BIKE OPERATION



This section explains how to use your bike's console and programming.



Comfort  
2.0



## COMFORT 2.0 CONSOLE OPERATION

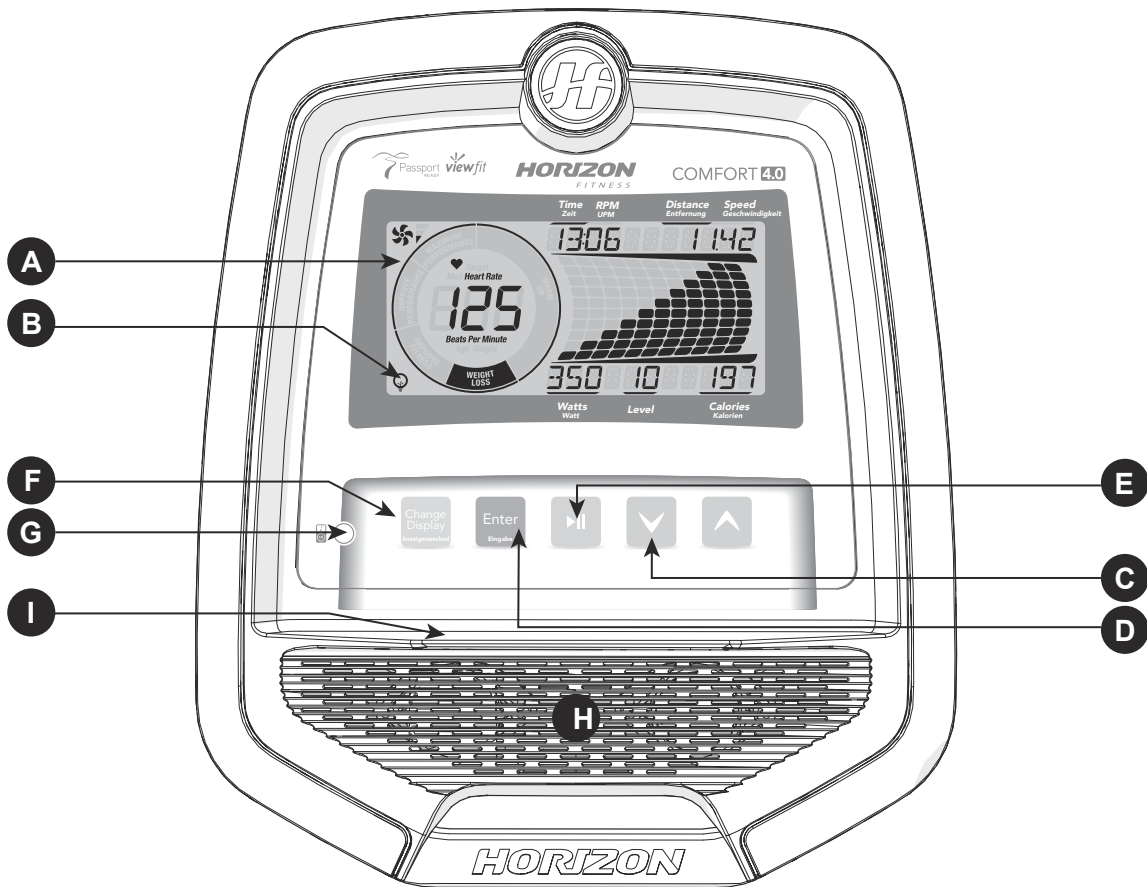
Note: There is a thin protective sheet of clear plastic on the overlay of the console that should be removed before use.

- A) **LCD DISPLAY WINDOWS:** Time, Distance, Calories, Speed, RPM, Resistance Level, Heart Rate, Calories, HR Wheel, Workout Profile.
- B) **ENERGY SAVER:** to minimize energy consumption, your machine will enter energy saver mode automatically (after entering stand-by mode for 15 mins) and can be quickly woken up with a press of a button.
- C) **▼ ▲ ARROW BUTTONS:** used up and down arrow button to select program, set up your console or change resistance while exercising.
- D) **ENTER BUTTON:** used to confirm setting of workout program or user profile.
- E) **▶|| START AND STOP BUTTON:** press to begin exercising, pause your workout or resume exercising after pause. Hold for 3 seconds to reset the console.
- F) **CHANGE DISPLAY BUTTON:** used to scroll through display modes and workout feedbacks. Press to switch display column and change between profile display mode for resistance(upper bar displayed) or watt profile for your current workout watt.(lower bar displayed)
- G) **AUDIO IN JACK:** use to connect with your cellphone or MP3 to play your workout music with integrated speaker.
- H) **SPEAKER:** play music through speakers when connected to your media player.
- I) **SMART DEVICE AND READING RACK:** holds your smart phone, tablet or reading materials.





Comfort  
4.0



## COMFORT 4.0 CONSOLE OPERATION

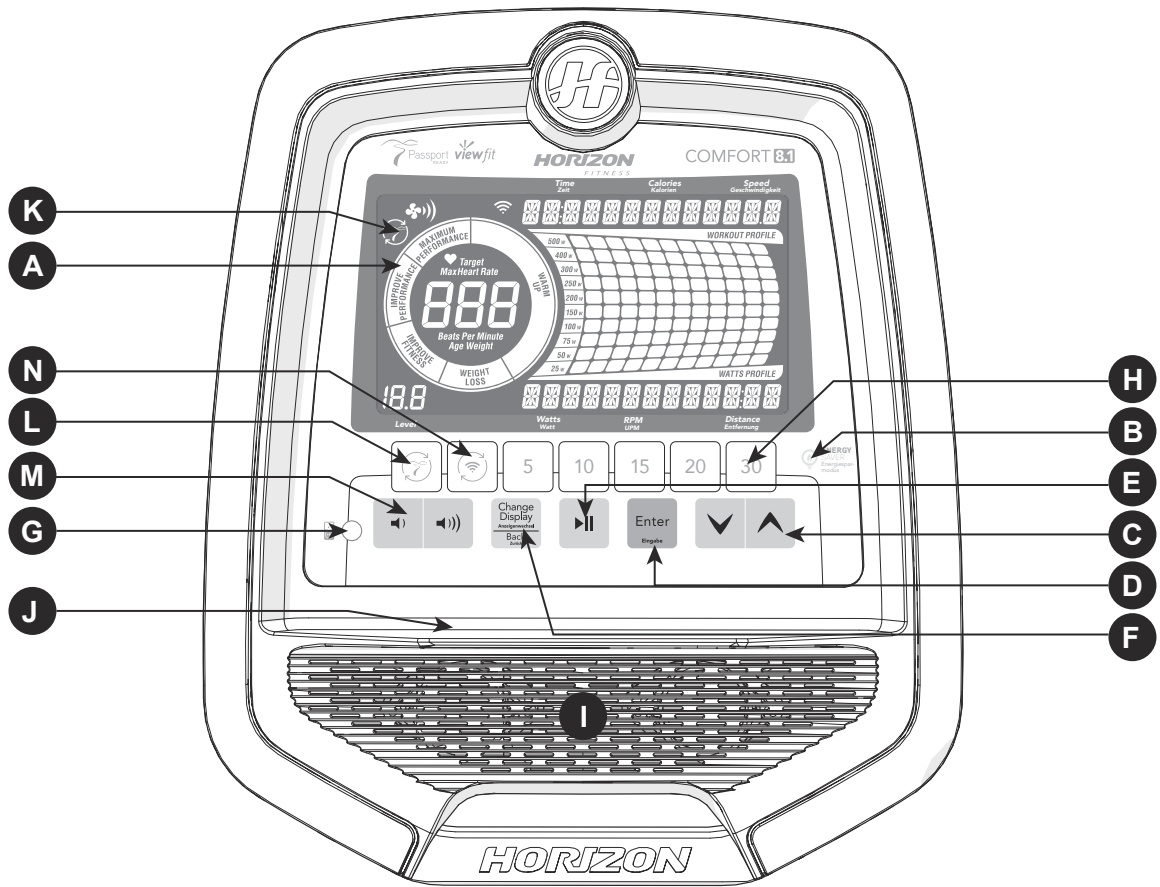
Note: There is a thin protective sheet of clear plastic on the overlay of the console that should be removed before use.

- A) **LCD DISPLAY WINDOWS:** Time, Distance, Calories, Speed, RPM, Resistance Level, Heart Rate, Calories, Watts, HR Wheel, Profile.
- B) **ENERGY SAVER:** to minimize energy consumption, your machine will enter energy saver mode automatically (after entering stand-by mode for 15 mins) and can be quickly woken up with a touch of a button.
- C) **▼ ▲ ARROW BUTTONS:** used up and down arrow button to select program, set up your console or change resistance while exercising.
- D) **ENTER BUTTON:** used to confirm setting of workout program or user profile.
- E) **START AND STOP BUTTON:** press to begin exercising, pause your workout or resume exercising after pause. Hold for 3 seconds to reset the console.
- F) **CHANGE DISPLAY BUTTON:** used to scroll through display modes and workout feedbacks. Press to switch display column and change between profile display mode for resistance (upper bar displayed) or watt profile for your current workout watt (lower bar displayed).  
  
(Note: use with arrow button up to activate Passport sync process, see page 50 for more details).
- G) **AUDIO IN JACK:** use to connect with your cellphone or MP3 to play your workout music with integrated speaker.
- H) **SPEAKER:** play music through speakers when connected to your media player.
- I) **SMART DEVICE AND READING RACK:** holds your smart phone, tablet or reading materials.





Comfort  
8.1  
show



K

A

N

L

M

G

J

H

B

E

C

D

F

I

## COMFORT 8.1 / R8.0 CONSOLE OPERATION

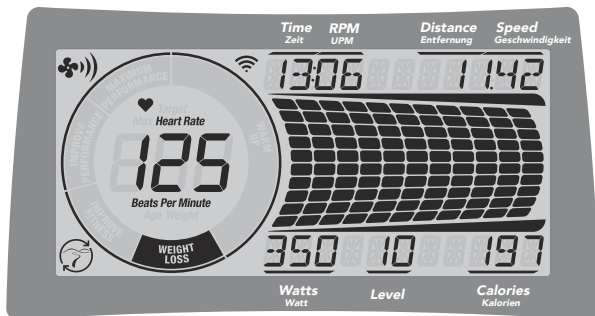
Note: There is a thin protective sheet of clear plastic on the overlay of the console that should be removed before use.

- A) **LCD DISPLAY WINDOWS:** Time, Distance, Speed, RPM, Resistance Level, Heart Rate, Calories, Watts, HR Wheel, Resistance Profile, Passport Connection.
- B) **ENERGY SAVER:** to minimize energy consumption, your machine will enter energy saver mode automatically (after entering stand-by mode for 15 mins) and can be quickly woken up with a press of a button.
- C) **▼ ▲ ARROW BUTTONS:** used up and down arrow button to select program, set up your console or change resistance while exercising.
- D) **ENTER BUTTON:** used to confirm setting of workout program or user profile.
- E) **▶|| START AND STOP BUTTON:** press to begin exercising, pause your workout or resume exercising after pause. Hold for 3 seconds to reset the console.
- F) **CHANGE DISPLAY / BACK BUTTON :** used to scroll through display modes and workout feedbacks. Press to switch display column and change between profile display mode for resistance(upper bar displayed) or watt profile for your current workout watt (lower bar displayed).  
also used to navigate back to the user setup progress.
- G) **AUDIO IN JACK:** use to connect with your cellphone or MP3 to play your workout music with integrated speaker.
- H) **RESISTANCE DIRECT BUTTON:** use the direct button to chose your desired workout resistance.
- I) **SPEAKER:** play music through speakers when connected to your media player.
- J) **SMART DEVICE AND READING RACK:** holds your smart phone, tablet or reading materials.
- K) **PASSPORT:** It will show on the screen when the machine is connected to Passport.
- L) **PASSPORT QUICK KEY:** used to connect to Passport. Press and sync with Passport.
- M) **VOLUME BUTTON:** used to turn up and turn down the volume.
- N) **WI-FI CONNECT & SYNC & TIMEZONE:** press to reset and connect your wireless internet connection and set time zone. See Page 36 for more info.





## COMFORT 2.0 / 4.0 DISPLAYS

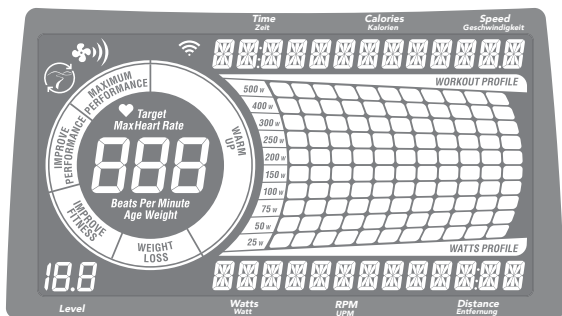


### DISPLAY WINDOWS

- **TIME:** Shown as minutes: seconds. View the time remaining or the time elapsed in your workout.
- **RPM:** Revolutions Per Minute.
- **DISTANCE:** Shown as km. Indicates distance traveled or distance remaining during your workout.
- **SPEED:** Shown as KM/H. Indicates how fast the wheels are moving.
- **WATTS (COMFORT 4.0 ONLY):** Displays current user power output. Your workout watt performance will also be calculated and shown as dot-matrix profile at right hand side.
- **LEVEL:** Shows the current level of resistance.

- **CALORIES:** Total calories burned during your workout.
- **HEART RATE:** Shown as BPM (beats per minute). Used to monitor your heart rate.
- **MAXIMUM HEART RATE:** Shows your maximum heart rate. The Change Display button switches between your MAXIMUM HEART RATE and your current HEART RATE. The MAXIMUM HEART RATE is calculated as  $(220 - \text{age}) \times 0.85$ .
- **HEART RATE WHEEL:** Displays your current activity zone during your workout. With this Heart rate wheel you can be certain if your exercise level fits your workout goal.
  - WARM UP: 0-60% of maximum heart rate.
  - WEIGHT LOSS: 60-70% of maximum heart rate.
  - IMPROVE FITNESS: 70-80% of maximum heart rate.
  - IMPROVE PERFORMANCE: 80-90% of maximum heart rate.
  - MAXIMUM PERFORMANCE: 90-100% of maximum heart rate.
- **ENERGY SAVER:** Indicates when the machine is in Energy Saver mode to conserve power consumption(see page 51 for more detail information).
- **PASSPORT (COMFORT 4.0 ONLY):** Indicates when the machine is in Passport mode to sync with Passport.

## COMFORT 8.1 / R8.0 DISPLAYS



### DISPLAY WINDOWS

- **TIME:** Shown as minutes : seconds. View the time remaining or the time elapsed in your workout.
- **RPM:** Revolutions Per Minute.
- **DISTANCE:** Shown as km. Indicates distance traveled or distance remaining during your workout.
- **SPEED:** Shown as KM/H. Indicates how fast the wheels are moving.
- **WATTS:** Displays current user power output.
- **LEVEL:** Shows the current level of resistance.
- **CALORIES:** Total calories burned during your workout.
- **HEART RATE:** Shown as BPM (beats per minute). Used to monitor your heart rate.

- **MAXIMUM HEART RATE:** Shows your maximum heart rate. The Change Display button switches between your MAXIMUM HEART RATE and your current HEART RATE. The MAXIMUM HEART RATE is calculated as  $(220 - \text{age}) \times 0.85$ .

- **HEART RATE WHEEL:** Displays your current activity zone during your workout. With this Heart rate wheel you can be certain if your exercise level fits your workout goal.

WARM UP: 0-60% of maximum heart rate.

WEIGHT LOSS: 60-70% of maximum heart rate.

IMPROVE FITNESS: 70-80% of maximum heart rate.

IMPROVE PERFORMANCE: 80-90% of maximum heart rate.

MAXIMUM PERFORMANCE: 90-100% of maximum heart rate.

- **WATT SCALE AND PROFILE DISPLAY:** shows your current workout watt. ex. 50W dot will light up to show when reaching or selecting 25-50 watt. You may use change display key to switch back to workout profile display. Note: Scale will only show up to 400w in Watts programs to reflect your target watt range of 25-400 watt.
- **ENERGY SAVER:** Indicates when the machine is in Energy Saver mode to conserve power consumption (see page 51 for more detail information).
- **PASSPORT:** Indicates when the machine is in Passport mode to sync with Passport.
- **WI-FI:** Indicates wireless connection is present and the strength (low, medium, high).




## SET UP XID ACCOUNT FOR VIEWFIT CONNECTIVITY

Creating an xID account will allow you to save and share workout data online at **viewfit.com**. Up to four users can be saved on a machine. This process is the first step in connecting your equipment. It must be done from a computer, tablet, or mobile device.

- 1) Visit the web site: **viewfit.com**
- 2) Once at the web site, select the CONNECT YOUR EQUIPMENT option on the top menu bar.
- 3) The first step in connecting your equipment will be creating your xID account. This will be your login to ViewFit.
- 4) Enter your phone number or another easy-to-remember 10-14 digit number. This will be your account number.
- 5) Fill in your profile information to finish the xID account set up process. You will be asked to provide an email address not associated with any other xID account. Check your email after the set-up process for a link to validate your account.

## CONNECT WI-FI

Once you have created your xID account, you will be able to move on to activating the Wi-Fi on your equipment. Reminder, this requires you to use your computer, tablet, or mobile device that is connected to the internet.

- 1) Press and hold  for 3-5 seconds you can use up/down button to set your time zone, please refer to time zone code in the last page, then press enter button you will see the message ACTIVATED on your screen.
- 2) On your computer or other device, go to your Wi-Fi settings. You should select the "ViewFit" network. Doing this enables you to connect your equipment to your wireless network.
- 3) A new window will pop up with the list of wireless networks your equipment can see. Select your home Wi-Fi network and connect.
- 4) The remaining step is to reconnect your computer or other device back to your Wi-Fi network. Go to your settings again and connect as you normally would.

Congratulations! You are now connected and ready to get started.



## GETTING STARTED

### QUICK START

- 1) Make sure the power is on.
- 2) Press START / STOP ►|| to start exercise in MANUAL mode.
- 3) Press ▲ ▼ to adjust resistance level during the workout.

### START YOUR WORKOUT

- 1) Select guest / user1 / user2 / user3 / user4.
- 2) Select your desired program.
- 3) Select your gender (required only under Fit-Test program).
- 4) Select the program settings, time, level, etc.
- 5) Press Start/Stop ►|| to start your workout.

## TO CLEAR SELECTION/RESET THE CONSOLE

Hold START/STOP ►|| for 3 seconds.

## FINISHING YOUR WORKOUT

When your workout is complete, the bike will stop and beep. You can unplug the machine or it will enter Energy Saver Mode in 15 mins.



## PROGRAM INFORMATION

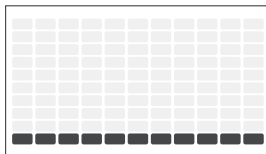
**Comfort 2.0:** 11 Programs (Manual / Intervals / Game / Weight Loss / Rolling / Cadence / Random / THR Zone / %THR / Custom 1 / Custom 2)

**Comfort 4.0:** 14 Programs (Constant Watts / Manual / Intervals / Game / Fitness Test / Weight Loss / Weight Loss Plus / Rolling / Cadence / Random / THR Zone / % THR / Custom 1 / Custom 2)

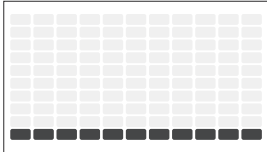
**Comfort 8.1:** 16 Programs (Constant Watts / Interval Watts / Manual / Intervals / Game / Fitness Test / Weight Loss / Weight Loss Plus / Rolling / Cadence / Random / THR Zone / %THR / Strength Builder / Custom 1 / Custom 2)

**Comfort R8.0:** 16 Programs (Constant Watts / Interval Watts / Manual / Intervals / Game / Fitness Test / Weight Loss / Weight Loss Plus / Rolling / Cadence / Random / THR Zone / %THR / Strength Builder / Custom 1 / Custom 2)

**1) MANUAL:** Allows you to adjust the resistance level to your preference, without a preset program. Adjust your resistance manually during your workout. User sets time and resistance using (up/down arrow) and ENTER.



2) **INTERVALS:** Improves your strength, speed, and endurance by raising and lowering the resistance levels throughout your workout to involve both your heart and muscles. Time based program with 16 levels to choose from. User sets time and level using (up/down arrows) and ENTER.



(Comfort 2.0)

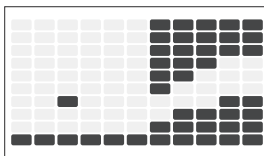
INTERVALS																				
	Warm Up				Program Segments - Repeat												Cool down			
Seconds	60	60	60	60	30	60	60	30	30	60	30	60	60	30	60	60	17	60	60	
Segment	1	2	3	4	5	6	7	8	9	10	11	12	13	14	15	16	17	18	19	20
Level 1	1	2	2	3	5	1	1	5	5	1	5	1	1	5	5	1	3	2	2	1
Level 2	1	2	2	3	6	2	2	6	6	2	6	2	2	6	6	2	3	2	2	1
Level 3	1	2	2	4	7	3	3	7	7	3	7	3	3	7	7	3	4	2	2	1
Level 4	1	2	2	5	8	4	4	8	8	4	8	4	4	8	8	4	5	2	2	1
Level 5	2	3	5	6	9	5	5	9	9	5	9	5	5	9	9	5	6	5	3	2
Level 6	2	3	5	7	10	6	6	10	10	6	10	6	6	10	10	6	7	5	3	2
Level 7	2	3	5	8	11	7	7	11	11	7	11	7	7	11	11	7	8	5	3	2
Level 8	2	3	5	9	12	8	8	12	12	8	12	8	8	12	12	8	9	5	3	2
Level 9	3	4	5	10	13	9	9	13	13	9	13	9	9	13	13	9	10	5	4	3
Level 10	3	4	8	11	14	10	10	14	14	10	14	10	10	14	14	10	11	8	4	3
Level 11	3	6	10	12	15	11	11	15	15	11	15	11	11	15	15	11	12	10	6	3
Level 12	3	6	10	13	16	12	12	16	16	12	16	12	12	16	16	12	13	10	6	3

(Comfort 4.0, 8.1, R8.0)

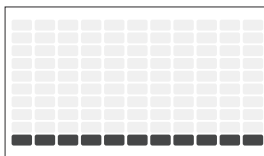
INTERVALS																				
	Warm Up				Program Segments - Repeat												Cool down			
Seconds	60	60	60	60	30	60	60	30	30	60	30	60	60	30	60	60	17	60	60	
Segment	1	2	3	4	5	6	7	8	9	10	11	12	13	14	15	16	17	18	19	20
Level 1	1	3	3	4	7	1	1	7	7	1	7	1	1	7	7	1	4	3	3	1
Level 2	1	3	3	4	9	3	3	9	9	3	9	3	3	9	9	3	4	3	3	1
Level 3	1	3	3	6	10	4	4	10	10	4	10	4	4	10	10	4	6	3	3	1
Level 4	1	3	3	7	12	6	6	12	12	6	12	6	6	12	12	6	7	3	3	1
Level 5	3	4	7	9	13	7	7	13	13	7	13	7	7	13	13	7	9	7	4	3
Level 6	3	4	7	10	15	9	9	15	15	9	15	9	9	15	15	9	10	7	4	3
Level 7	3	4	7	12	16	10	10	16	16	10	16	10	10	16	16	10	12	7	4	3
Level 8	3	4	7	13	18	12	12	18	18	12	18	12	12	18	18	12	13	7	4	3
Level 9	4	6	7	15	19	13	13	19	19	13	19	13	13	19	19	13	15	7	6	4
Level 10	4	6	12	16	21	15	15	21	21	15	21	15	15	21	21	15	16	12	6	4
Level 11	4	9	15	18	22	16	16	22	22	16	22	16	16	22	22	16	18	15	9	4
Level 12	4	9	15	19	24	18	18	24	24	18	24	18	18	24	24	18	19	15	9	4
Level 13	7	13	19	21	25	19	19	25	25	19	25	19	19	25	25	19	21	19	13	7
Level 14	7	13	19	22	27	21	21	27	27	21	27	21	21	27	27	21	22	19	13	7
Level 15	7	13	19	24	28	22	22	28	28	22	28	22	22	28	28	22	24	19	13	7
Level 16	7	13	19	25	30	24	24	30	30	24	30	24	24	30	30	24	25	19	13	7



- 3) **GAME:** This warm up game simulates a Car Racing Game. To control the car up and down, you pedal faster or slower. Try to avoid those barriers and keep on track. Your remaining chances will be shown on upper LCD with 10 dots and each time you fit a barrier one dot will be removed. You only have 11 chances to complete the circuit, so be careful.

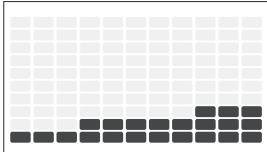


- 4) **FITNESS TEST:** Test your current level of physical condition. Keep RPM between 60 and 80 during test, program will change resistance automatically during test per an embedded chart. Try to keep your RPM until you can not go any further. Console will look up the table and give you your current physical condition estimation.



Scores	Results
1-4	Very Poor
5-6	Poor
7-8	Average
9-10	Good
>10	Excellent

- 5) **WEIGHT LOSS:** Promotes weight loss by raising and lowering the resistance level, while keeping you in your fat burning zone. Time based program with 16 levels to choose from. User sets time and level using (up/down arrows) and ENTER. Please drink enough water while and after doing exercise to enhance the weight loss results.



(Comfort 2.0)

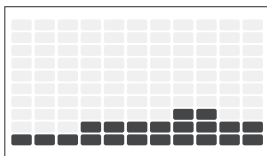
WEIGHT LOSS																				
	Warm Up					Program Segments - Repeat										Cool down				
Seconds	60	60	60	60	60	60	60	60	60	60	60	60	60	60	60	60	60	60	60	60
Segment	1	2	3	4	5	6	7	8	9	10	11	12	13	14	15	16	17	18	19	20
Level 1	1	2	2	3	3	3	4	4	5	5	5	5	4	4	3	3	3	2	2	1
Level 2	1	2	2	3	4	4	5	5	6	6	6	6	5	5	4	4	3	2	2	1
Level 3	1	2	2	4	5	5	6	6	7	7	7	7	6	6	5	5	4	2	2	1
Level 4	1	2	2	5	6	6	7	7	8	8	8	8	7	7	6	6	5	2	2	1
Level 5	2	3	5	6	7	7	8	8	9	9	9	9	8	8	7	7	6	5	3	2
Level 6	2	3	5	7	8	8	9	9	10	10	10	10	9	9	8	8	7	5	3	2
Level 7	2	3	5	8	9	9	10	10	11	11	11	11	10	10	9	9	8	5	3	2
Level 8	2	3	5	9	10	10	11	11	12	12	12	12	11	11	10	10	9	5	3	2
Level 9	3	4	5	10	11	11	12	12	13	13	13	13	12	12	11	11	10	5	4	3
Level 10	3	4	8	11	12	12	13	13	14	14	14	14	13	13	12	12	11	8	4	3
Level 11	3	6	10	12	13	13	14	14	15	15	15	15	14	14	13	13	12	10	6	3
Level 12	3	6	10	13	14	14	15	15	16	16	16	16	15	15	14	14	13	10	6	3

WEIGHT LOSS																					
	Warm Up					Program Segments - Repeat										Cool down					
Seconds	60	60	60	60	60	60	60	60	60	60	60	60	60	60	60	60	60	60	60	60	
Segment	1	2	3	4	5	6	7	8	9	10	11	12	13	14	15	16	17	18	19	20	
Level 1	1	3	3	4	4	4	6	6	7	7	7	7	6	6	4	4	4	3	3	1	
Level 2	1	3	3	4	6	6	7	7	9	9	9	9	7	7	6	6	4	3	3	1	
Level 3	1	3	3	6	7	7	9	9	10	10	10	10	9	9	7	7	6	3	3	1	
Level 4	1	3	3	7	9	9	10	10	12	12	12	12	10	10	9	9	7	3	3	1	
Level 5	3	4	7	9	10	10	12	12	13	13	13	13	12	12	10	10	9	7	4	3	
Level 6	3	4	7	10	12	12	13	13	15	15	15	15	13	13	12	12	10	7	4	3	
Level 7	3	4	7	12	13	13	15	15	16	16	16	16	15	15	13	13	12	7	4	3	
Level 8	3	4	7	13	15	15	16	16	18	18	18	18	16	16	15	15	13	7	4	3	
Level 9	4	6	7	15	16	16	18	18	19	19	19	19	18	18	16	16	15	7	6	4	
Level 10	4	6	12	16	18	18	19	19	21	21	21	21	19	19	18	18	16	12	6	4	
Level 11	4	9	15	18	19	19	21	21	22	22	22	22	21	21	19	19	18	15	9	4	
Level 12	4	9	15	19	21	21	22	22	24	24	24	24	22	22	21	21	19	15	9	4	
Level 13	7	13	19	21	22	22	24	24	25	25	25	25	24	24	22	22	21	19	13	7	
Level 14	7	13	19	22	24	24	25	25	27	27	27	27	25	25	24	24	22	19	13	7	
Level 15	7	13	19	24	25	25	27	27	28	28	28	28	27	27	25	25	24	22	19	13	7
Level 16	7	13	19	25	27	27	28	28	30	30	30	30	28	28	27	27	25	19	13	7	7

(Comfort 4.0, 8.1, R8.0)



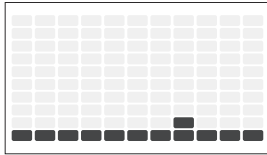
- 6) **WEIGHT LOSS PLUS:** Promotes weight loss by increasing and decreasing the resistance, while keeping you in your fat burning zone. Time based program with 15 levels to choose from and greater intensity than the weight loss program. User sets time and level using (up/down arrows) and ENTER. Please drink enough water while and after doing exercise to enhance the weight loss results.



WEIGHT LOSS PLUS																				
	Warm Up					Program Segments - Repeat										Cool Down				
Seconds	60	60	60	60	60	60	60	60	60	60	60	60	60	60	60	60	60	60	60	
Segment	1	2	3	4	5	6	7	8	9	10	11	12	13	14	15	16	17	18	19	20
Level 1	1	3	3	4	6	4	6	7	7	4	6	9	9	7	6	4	4	3	3	1
Level 2	3	4	4	4	7	6	7	9	9	6	7	10	10	9	7	6	4	4	4	3
Level 3	3	4	6	6	9	7	9	10	10	7	9	12	12	10	9	7	6	6	4	3
Level 4	3	6	6	7	10	9	10	12	12	9	10	13	13	12	10	9	7	6	6	3
Level 5	4	6	7	9	12	10	12	13	13	10	12	15	15	13	12	10	9	7	6	4
Level 6	4	7	9	9	13	12	13	15	15	12	13	16	16	15	13	12	9	9	7	4
Level 7	6	9	10	10	15	13	15	16	16	13	15	18	18	16	15	13	10	10	9	6
Level 8	6	9	10	12	16	15	16	18	18	15	16	19	19	18	16	15	12	10	9	6
Level 9	6	10	12	13	18	16	18	19	19	16	18	21	21	19	18	16	13	12	10	6
Level 10	7	10	13	13	19	18	19	21	21	18	19	22	22	21	19	18	13	13	10	7
Level 11	7	12	13	15	21	19	21	22	22	19	21	24	24	22	21	19	15	13	12	7
Level 12	9	13	15	16	22	21	22	24	24	21	22	25	25	24	22	21	16	15	13	9
Level 13	9	13	16	18	24	22	24	25	25	22	24	27	27	25	24	22	18	16	13	9
Level 14	9	15	16	18	25	24	25	27	27	24	25	28	28	27	25	24	18	16	15	9
Level 15	10	15	18	19	27	25	27	28	28	25	27	30	30	28	27	25	19	18	15	10

(Comfort 4.0, 8.1, R8.0)

7) **ROLLING:** Maintains weight by gradually raising and lowering the resistance level to gradually raise and lower your heart rate.



(Comfort 2.0)

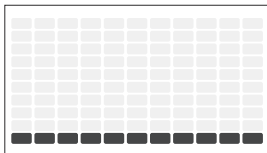
ROLLING																				
	Warm Up				Program segments												Cool Down			
Seconds	60	60	60	60	30	30	30	30	30	30	30	30	30	30	30	30	30	30	30	
Segment	1	2	3	4	5	6	7	8	9	10	11	12	13	14	15	16	17	18		
Level 1	1	1	2	2	1	2	3	4	3	2	1	2	3	2	1	1	1	1		
Level 2	1	2	2	3	2	3	4	5	4	3	2	1	2	3	2	1	1	1		
Level 3	2	2	3	3	3	4	5	6	7	8	7	6	5	4	2	1	1	1		
Level 4	2	3	3	4	4	5	6	7	8	9	8	7	6	5	3	1	1	1		
Level 5	3	4	4	4	5	6	7	8	9	10	9	8	7	6	3	3	2	1		
Level 6	3	5	4	5	6	7	8	9	10	10	10	9	8	7	4	3	2	1		
Level 7	4	5	5	5	7	7	8	8	9	9	10	10	9	8	4	3	2	1		
Level 8	4	5	5	5	8	8	9	9	10	10	11	11	10	9	4	3	2	1		
Level 9	4	5	5	5	9	9	10	10	11	11	12	12	11	10	5	4	3	1		
Level 10	4	5	6	6	10	10	11	11	12	12	13	13	12	11	6	5	4	1		
Level 11	4	5	7	7	11	11	12	12	13	13	14	14	13	12	6	5	4	1		
Level 12	4	5	8	8	12	12	13	13	14	14	15	15	14	13	7	6	5	1		
Level 13	4	5	9	9	13	13	14	14	15	15	16	16	15	14	7	6	5	1		
Level 14	4	5	9	9	14	14	15	15	16	16	17	17	16	15	8	7	6	1		

ROLLING																				
	Warm Up				Program segments												Cool Down			
Seconds	60	60	60	60	30	30	30	30	30	30	30	30	30	30	60	60	60	60		
Segment	1	3	4	6	7	9	10	12	13	15	16	18	19	21	22	24	25	27		
Level 1	1	1	3	3	1	3	4	6	4	3	1	3	4	3	1	1	1	1		
Level 2	1	3	3	4	3	4	6	7	6	4	3	1	3	4	3	1	1	1		
Level 3	3	3	4	4	4	6	7	9	10	12	10	9	7	6	3	1	1	1		
Level 4	3	4	4	6	6	7	9	10	12	13	12	10	9	7	4	1	1	1		
Level 5	4	6	6	6	7	9	10	12	13	15	13	12	10	9	4	4	3	1		
Level 6	4	7	6	7	9	10	12	13	15	15	15	13	12	10	6	4	3	1		
Level 7	6	7	7	7	10	10	12	12	13	13	15	15	13	12	6	4	3	1		
Level 8	6	7	7	7	12	12	13	13	15	15	16	16	15	13	6	4	3	1		
Level 9	6	7	7	7	13	13	15	15	16	16	18	18	16	15	7	6	4	1		
Level 10	6	7	9	9	15	15	16	16	18	18	19	19	18	16	9	7	6	1		
Level 11	6	7	10	10	16	16	18	18	19	19	21	21	19	18	9	7	6	1		
Level 12	6	7	12	12	18	18	19	19	21	21	22	22	21	19	10	9	7	1		
Level 13	6	7	13	13	19	19	21	21	22	22	24	24	22	21	10	9	7	1		
Level 14	6	7	13	13	21	21	22	22	24	24	25	25	24	22	12	10	9	1		

(Comfort 4.0, 8.1, R8.0)



8) **CADENCE:** Special bike training program to build your stamina and increase endurance. This program will gradually increase resistance level and prompt you to pedal at a low speed (L), medium speed (M), or high speed (H) to help you reach your fitness goal.



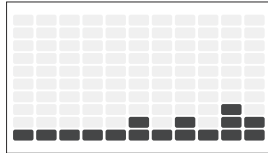
(Comfort 2.0)

CADENCE																				
	Warm up				L	M	L	H	M	L	H	M	L	H	M	L	Cool down			
Seconds	60	60	60	60	90	45	90	30	45	90	30	45	90	30	45	90	60	60	60	60
Segment	1	2	3	4	5	6	7	8	9	10	11	12	13	14	15	16	17	18	19	20
Level 1	2	1	1	2	3	2	3	1	2	3	1	2	3	1	2	3	2	1	1	1
Level 2	1	1	1	2	4	3	4	2	3	4	2	3	4	2	3	4	2	1	1	1
Level 3	1	1	1	2	5	4	5	3	4	5	3	4	5	3	4	5	2	1	1	1
Level 4	1	1	1	3	6	5	6	4	5	6	4	5	6	4	5	6	3	1	1	1
Level 5	1	2	3	3	7	6	7	5	6	7	5	6	7	5	6	7	3	3	2	1
Level 6	1	2	3	4	8	7	8	6	7	8	6	7	8	6	7	8	4	3	2	1
Level 7	1	2	3	4	9	8	9	7	8	9	7	8	9	7	8	9	4	3	2	1
Level 8	1	2	3	5	10	9	10	8	9	10	8	9	10	8	9	10	5	3	2	1
Level 9	1	1	1	2	11	10	11	9	10	11	9	10	11	9	10	11	2	1	1	1
Level 10	1	1	1	2	12	11	12	10	11	12	10	11	12	10	11	12	2	1	1	1
Level 11	2	2	2	3	13	12	13	11	12	13	11	12	13	11	12	13	2	1	1	1
Level 12	3	3	3	4	14	13	14	12	13	14	12	13	14	12	13	14	3	1	1	1
Level 13	3	4	4	5	15	14	15	13	14	15	13	14	15	13	14	15	3	3	2	1
Level 14	3	4	5	6	16	15	16	14	15	16	14	15	16	14	15	16	4	3	2	1

(Comfort 4.0, 8.1, R8.0)

CADENCE																				
	Warm up				L	M	L	H	M	L	H	M	L	H	M	L	Cool down			
Seconds	60	60	60	60	90	45	90	30	45	90	30	45	90	30	45	90	60	60	60	60
Segment	1	2	3	4	5	6	7	8	9	10	11	12	13	14	15	16	17	18	19	20
Level 1	3	1	1	3	4	3	4	1	3	4	1	3	4	1	3	4	3	1	1	1
Level 2	1	1	1	3	6	4	6	3	4	6	3	4	6	3	4	6	3	1	1	1
Level 3	1	1	1	3	7	6	7	4	6	7	4	6	7	4	6	7	3	1	1	1
Level 4	1	1	1	4	9	7	9	6	7	9	6	7	9	6	7	9	4	1	1	1
Level 5	1	3	4	4	10	9	10	7	9	10	7	9	10	7	9	10	4	4	3	1
Level 6	1	3	4	6	12	10	12	9	10	12	9	10	12	9	10	12	6	4	3	1
Level 7	1	3	4	6	13	12	13	10	12	13	10	12	13	10	12	13	6	4	3	1
Level 8	1	3	4	7	15	13	15	12	13	15	12	13	15	12	13	15	7	4	3	1
Level 9	1	1	1	3	16	15	16	13	15	16	13	15	16	13	15	16	3	1	1	1
Level 10	1	1	1	3	18	16	18	15	16	18	15	16	18	15	16	18	3	1	1	1
Level 11	3	3	3	4	19	18	19	16	18	19	16	18	19	16	18	19	3	1	1	1
Level 12	4	4	4	6	21	19	21	18	19	21	18	19	21	18	19	21	4	1	1	1
Level 13	4	6	6	7	22	21	22	19	21	22	19	21	22	19	21	22	4	4	3	1
Level 14	4	6	7	9	24	22	24	21	22	24	21	22	24	21	22	24	6	4	3	1
Level 15	4	7	9	10	25	24	25	22	24	25	22	24	25	22	24	25	6	4	3	1
Level 16	6	9	10	12	27	25	27	24	25	27	24	25	27	24	25	27	7	4	3	1

9) **RANDOM:** Special designed chart based program that will simulate resistance being changed randomly.



(Comfort 2.0)

RANDOM																		
	Warm Up					Program segments										Cool Down		
Seconds	60	60	60	60	60	60	60	60	60	60	60	60	60	60	60	60	60	
Segment	1	2	3	4	5	6	7	8	9	10	11	12	13	14	15	16	17	18
Level 1	1	1	2	2	1	3	5	2	4	7	2	3	6	1	1	1	1	1
Level 2	1	2	2	3	2	4	6	3	5	8	3	4	7	2	2	1	1	1
Level 3	2	2	3	3	3	5	7	4	6	9	4	5	8	3	2	1	1	1
Level 4	2	3	3	4	4	6	8	5	7	10	5	6	9	4	3	1	1	1
Level 5	3	4	4	4	5	7	9	6	8	11	6	7	10	5	3	3	2	1
Level 6	3	5	4	5	6	8	10	7	9	12	7	8	11	6	4	3	2	1
Level 7	4	5	5	5	7	9	11	8	10	13	8	9	12	7	4	3	2	1
Level 8	4	5	5	5	8	10	12	9	11	14	9	10	13	8	4	3	2	1
Level 9	4	5	5	5	9	11	13	10	12	15	10	11	14	9	5	4	3	1
Level 10	4	5	6	6	10	12	14	11	13	16	11	12	15	10	5	4	3	1

RANDOM																		
	Warm Up					Program segments										Cool Down		
Seconds	60	60	60	60	60	60	60	60	60	60	60	60	60	60	60	60	60	
Segment	1	2	3	4	5	6	7	8	9	10	11	12	13	14	15	16	17	18
Level 1	1	1	3	3	1	4	7	3	6	10	3	4	9	1	1	1	1	1
Level 2	1	3	3	4	3	6	9	4	7	12	4	6	10	3	3	1	1	1
Level 3	3	3	4	4	4	7	10	6	9	13	6	7	12	4	3	1	1	1
Level 4	3	4	4	6	6	9	12	7	10	15	7	9	13	6	4	1	1	1
Level 5	4	6	6	6	7	10	13	9	12	16	9	10	15	7	4	4	3	1
Level 6	4	7	6	7	9	12	15	10	13	18	10	12	16	9	6	4	3	1
Level 7	6	7	7	7	10	13	16	12	15	19	12	13	18	10	6	4	3	1
Level 8	6	7	7	7	12	15	18	13	16	21	13	15	19	12	6	4	3	1
Level 9	6	7	7	7	13	16	19	15	18	22	15	16	21	13	7	6	4	1
Level 10	6	7	9	9	15	18	21	16	19	24	16	18	22	15	7	6	4	1
Level 11	6	7	10	10	16	19	22	18	21	25	18	19	24	16	9	7	6	1
Level 12	6	7	12	12	18	21	24	19	22	27	19	21	25	18	9	7	6	1
Level 13	6	7	13	13	19	22	25	21	24	28	21	22	27	19	10	9	7	1
Level 14	6	7	13	13	21	24	27	22	25	30	22	24	28	21	10	9	7	1

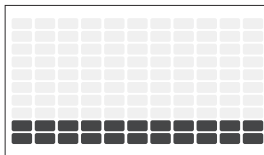
(Comfort 4.0, 8.1, R8.0)





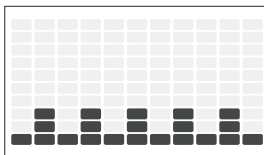
**10) CONSTANT WATTS:** This workout automatically adjusts the resistance to keep you within a set Watts range and maintains your desired level of exercise intensity.

- 1) Select Constant Watts program using ▲ ▼ and press ENTER.
- 2) Set time using ▲ ▼ and press ENTER.
- 3) Select desired watts using ▲ ▼ and press ENTER.
- 4) Press START ►|| to begin the program.



**11) INTERVAL WATT PROGRAM:** Allows you to choose a high WATTS value and a low WATTS value. The interval program will switch between High and Low WATTS values, making for a very intense and effective workout.

- 1) Select Constant Watts program using and press enter.
- 2) Set time using and press enter .
- 3) Select your desired low watts target and press enter .
- 4) Select your desired high watts target and press enter .
- 5) Press START ►|| to begin the program.

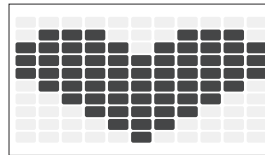


Note: The watts programs is RPM related. Resistance will change automatically according to your pedaling speed and make sure you keep your workout in your target watt. Please do not pedal too slow or too fast. If you are out of the target zone LCD will show arrow sign beside RPM column to tell you to adjust your speed. Upper arrow for speed up your RPM and arrow down for slowing down your workout.

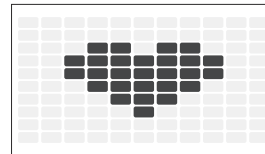


**12) THR ZONE:** Simulate the intensity of your favorite sport as the program resistance automatically adjusts to maintain a set Target Heart Rate range. (Suggest to use chest belt with this program. You may purchase chest belt separately from your dealer)

- 1) Select THR Zone program using ▲ ▼ and press ENTER.
- 2) Select TIME using ▲ ▼ and press ENTER.
- 3) The HEART RATE window will flash showing the default target heart rate of 80 beats per minute. Select your target heart rate (from heart rate training chart) using ▲ ▼ and press ENTER.
- 4) Press START ►|| to begin.

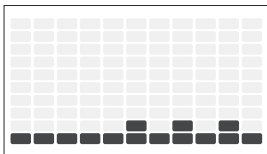


**13)% THR:** Benefits weight loss by maintaining an optimum exercise level to burn fat, while adjusting the resistance to keep you in your target heart rate zone. First set up your personal data (your machine will automatically calculate your maximum workout heart rate) and select the percentage you wish to workout base on your maximum heart rate. (Suggest to use chest belt with this program. You may purchase chest belt separately from your dealer)



Note: The heart rate program is base on your heart rate target. Resistance will change automatically according to your pedaling speed and make sure you keep your workout in your target heart rate. Please do not pedal too slow or too fast. If you are out of the target zone LCD will show arrow sign beside RPM column to tell you to adjust your speed. Upper arrow for speed up your RPM and arrow down for slowing down your workout.

**14)STRENGTH BUILDER:** Help you gradually increase your muscle strength with a preset workout program. Time based program with 20 levels to choose from. User sets time and level using (up/down arrows) and ENTER.

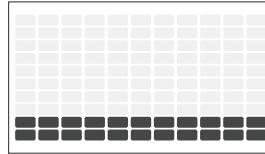


STRENGTH BUILDER																							
	Warm Up				Program Segments - Repeat												Cool Down						
Seconds	60	60	60	60	60	60	60	60	60	60	60	60	60	60	60	60	60	60	60				
Segment	1	2	3	4	5	6	7	8	9	10	11	12	13	14	15	16	17	18	19	20			
Level 1	1	1	3	3	1	4	1	4	1	4	1	4	1	4	1	4	3	3	1	1			
Level 2	1	1	3	3	3	4	3	6	3	4	3	6	3	4	3	6	3	3	1	1			
Level 3	1	1	3	3	4	4	3	4	4	3	4	4	3	4	4	3	3	3	1	1			
Level 4	1	3	3	4	6	6	3	6	6	3	6	6	3	6	6	3	6	3	4	3	1		
Level 5	3	4	4	4	4	7	4	7	4	7	4	7	4	7	4	7	4	4	4	4	3		
Level 6	3	4	6	6	6	9	6	9	6	9	6	9	6	9	6	9	6	9	6	6	4	3	
Level 7	4	6	7	9	9	12	7	12	9	10	7	12	9	10	7	12	9	7	6	4	4		
Level 8	4	6	7	9	12	12	9	12	12	9	12	12	9	12	12	9	12	9	7	6	4		
Level 9	6	9	10	10	12	15	12	15	12	15	12	15	12	15	12	15	12	15	10	9	6		
Level 10	6	9	10	10	15	15	12	15	15	12	15	15	12	15	15	12	15	12	10	9	6		
Level 11	6	10	12	13	15	18	15	18	15	18	15	18	15	18	15	18	15	18	13	12	6		
Level 12	6	10	12	13	18	18	15	18	18	15	18	18	15	18	18	15	18	15	13	12	6		
Level 13	7	12	13	15	18	21	18	21	18	21	18	21	18	21	18	21	18	21	15	13	7		
Level 14	7	12	13	15	21	21	18	21	21	18	21	21	18	21	21	18	21	21	18	15	12	7	
Level 15	9	13	16	18	21	24	21	24	21	24	21	24	21	24	21	24	21	24	18	16	13	9	
Level 16	9	13	16	18	24	24	21	24	24	21	24	24	21	24	24	21	24	24	21	18	16	13	9
Level 17	9	15	16	18	25	25	22	25	25	22	25	25	22	25	25	22	25	25	22	18	16	15	9
Level 18	10	15	18	19	27	27	24	27	27	24	27	27	24	27	27	24	27	27	24	19	18	15	10
Level 19	10	16	19	21	28	28	25	28	28	25	28	28	25	28	28	25	28	28	25	21	19	16	10
Level 20	12	18	21	22	30	30	25	30	30	25	30	30	25	30	30	25	30	30	25	22	21	18	12

(Comfort 4.0, 8.1, R8.0)

**15)CUSTOM 1 & 2:** Customized workout, time defaults to 15 minutes. (Comfort 3 does not have Custom 2)

- 1) First enter the program setting and profile display will guide you through all the workout column.
- 2) Use upper and lower arrow to change the resistance and press enter to confirm. Console will display your current segment number and guide you through segment 1 to segment 15.
- 3) After finish all setting press START ►|| to begin.



## HEART RATE TRAINING

The first step in knowing the right intensity for your training is to find out your maximum heart rate (max HR = 220 – your age). The age-based method provides an average statistical prediction of your max HR and is a good method for the majority of people, especially those new to heart rate training. The most precise and accurate way of determining your individual max HR is to have it clinically tested by a cardiologist or exercise physiologist through the use of a maximal stress test. If you are over the age of 40, overweight, have been sedentary for several years, or have a history of heart disease in your family, clinical testing is recommended. This chart gives examples of the heart rate range for a 30 year old exercising at 5 different heart rate zones. For example, a 30-year-old's max HR is  $220 - 30 = 190$  bpm and 90% max HR is  $190 \times 0.9 = 171$  bpm.

Target Heart Rate Zone	Workout Duration	Example THR Zone (age 30)	Your THR Zone	Recommended For
<b>VERY HARD</b> 90 – 100%	< 5 MIN	171 – 190 BPM		Fit persons and for athletic training
<b>HARD</b> 80 – 90%	2 – 10 MIN	152 – 171 BPM		Shorter workouts
<b>MODERATE</b> 70 – 80%	10 – 40 MIN	133 – 152 BPM		Moderately long workouts
<b>LIGHT</b> 60 – 70%	40 – 80 MIN	114 – 133 BPM		Longer and frequently repeated shorter exercises
<b>VERY LIGHT</b> 50 – 60%	20 – 40 MIN	104 – 114 BPM		Weight management and active recovery






## USING YOUR MEDIA PLAYER



- 1) Connect the included AUDIO ADAPTOR CABLE to the AUDIO IN JACK on the console and the headphone jack on your media player.
- 2) Use your media player buttons to adjust song settings.
- 3) Remove the AUDIO ADAPTOR CABLE when not in use.

## SYNCING BIKE WITH PASSPORT (COMFORT 2.0 IS NOT INCLUDED)

- 1) Using the arrow key on the passport remote control to scroll to the setup icon and press the Select.
- 2) Follow the on-screen prompt to press and hold  on the equipment's console for 3-5 seconds.
- 3) Once your sync is successful, your bike message bar will change from RF Sync to Passport Ready.
- 4) The message displayed on-screen will notify you if the sync was successful or failed.



## ENERGY SAVER MODE

This machine is equipped with Energy Saver mode. When Energy Saver mode is activated, the display will automatically enter standby mode (Energy Saver mode) after 15 minutes of inactivity. This feature saves energy by disabling most power to the machine until a key is pressed on the console. You may switch this function on and off using engineering menu.



## **ENGINEERING MODE:**

To enter the engineering menu, press and hold the ▲ and ▼ for 3-5 seconds.

### **SWITCHING BETWEEN BRITISH AND METRIC MODE**

Use the ▲ and ▼ arrow keys to navigate to Eng2 and press Enter. Use the Enter key to navigate to P1. Use the ▲ and ▼ arrow keys to switch between STANDARD (BRITISH) and METRIC.

### **SWITCHING DISPLAY LANGUAGE**

Use the ▲ and ▼ arrow keys to navigate to Eng2 and press Enter. Use the Enter key to navigate to P2 Press ENTER to select language mode, use arrow keys to select the language you desire.

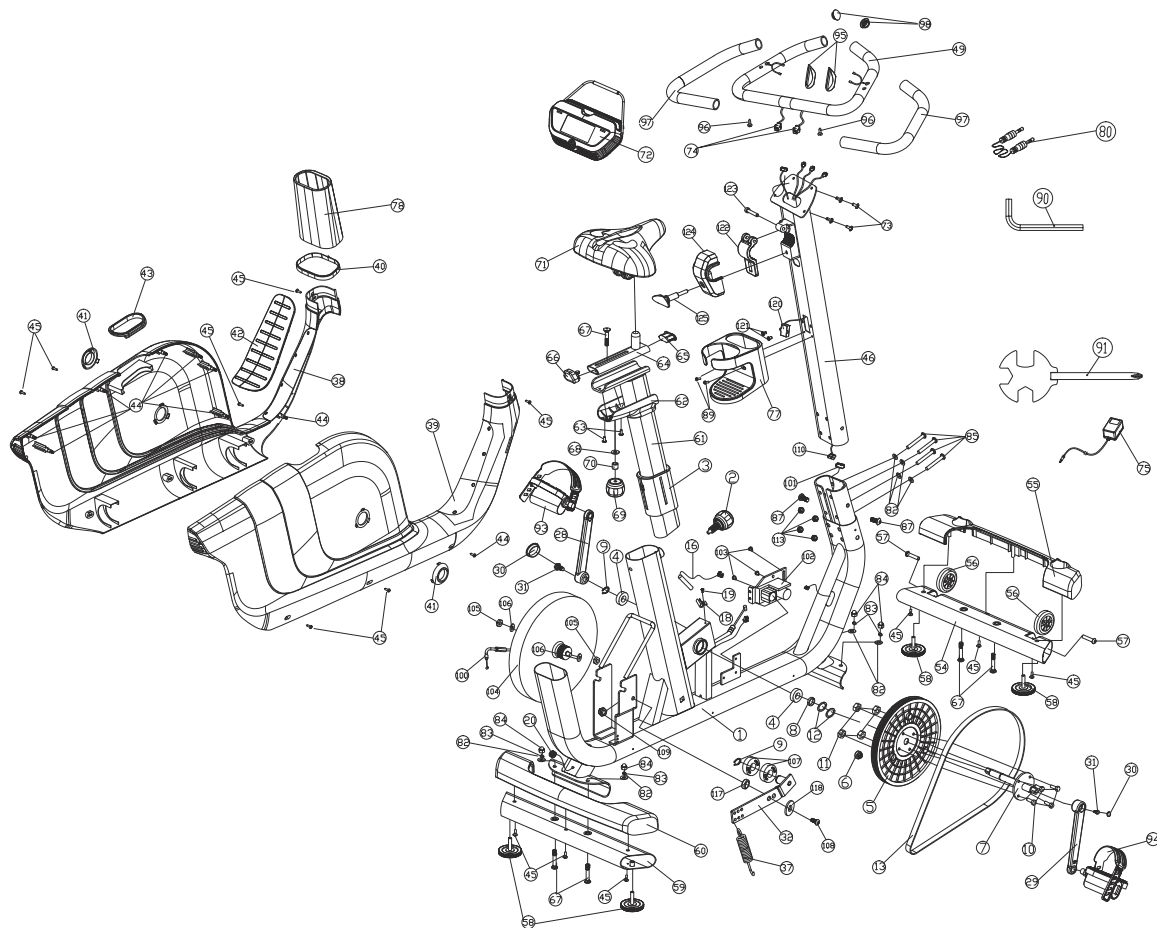
Press and hold STOP ►|| for 3-5 seconds to exit ENG2. Press and hold STOP ►|| again for 3-5 seconds to exit the engineering menu.

### **SWITCHING ON/OFF THE ENGERGY SAVER FUNCTION**

Use the ▲ and ▼ arrow keys to navigate to Eng2 and press Enter. Use the Enter key to navigate to P5.

Press ENTER to select Energy Saver mode, use the ▲ and ▼ arrow keys to select ENRGY SAVE ON or OFF. Press and hold STOP ►|| for 3-5 seconds to exit ENG2. Press and hold STOP ►|| again for 3-5 seconds to exit the engineering menu.

# COMFORT 2.0 EXPLODED VIEW



## COMFORT 2.0 PARTS LIST

NO.	DESCRIPTION	QTY
1	MAIN FRAME	1
2	POP-PIN	1
3	INNER BUSHING	1
4	BEARING	2
5	DRIVE PULLEY	1
6	MAGNET	1
7	TRANSMISSION SHAFT	1
8	SPACER	1
9	C-CLIP	1
9	C-CLIP	1
10	ALLEN HEX SCREW	4
11	NYLON NUT	4
12	WAVE WASHER	2
13	BELT	1
16	SENSOR CABLE	1
18	ROUND SENSOR FIXING PLASTIC	1
19	ROUND HEAD PHILIPS DRILLING SELF TAPPING	1
20	POWER CORD	1
28	LEFT CRANK	1
29	RIGHT CRANK	1
30	CRANK COVER	2
31	HEX FLANGE SCREW	2
32	IDLE WHEEL FIXING PLATE	1
37	IDLE WHEEL FLEXING SPRING	1
38	LEFT SHROUD	1

NO.	DESCRIPTION	QTY
39	RIGHT SHROUD	1
40	CONSOLE MAST DECORATIVE RING	1
41	CRANK DECORATIVE RING	2
42	RUBBER STEP-THROUGH PAD	1
43	SEAT POST SUPPORT TUBE PAD	1
44	CLIP	8
45	TRUSS PHILIPS SELF TAPPING SCREW	14
46	CONSOLE MAST	1
54	FRONT STABILIZER	1
55	FRONT STABILIZER COVER	1
56	TRANSPORTATION WHEEL	2
57	TRUSS HEX SCREW	2
58	LEVELER	4
59	REAR STABILIZER	1
60	REAR STABILIZER COVER	1
61	SEAT POST	1
62	SEAT POST COVER	1
63	ROUND HEAD PHILIPS SCREW	2
64	SEAT SUPPORTING SHAFT	1
65	END CAP	1
66	TOWEL HOOK	1
67	CARRIAGE SCREW	9
68	FLAT WASHER	1
69	KNOB	1
70	SPACER	1

## COMFORT 2.0 PARTS LIST

NO.	DESCRIPTION	QTY
71	SEAT PAD	1
72	CONSOLE	1
73	TRUSS PHILIPS SCREW	4
74	HAND GRIP HR SENSOR CABLE	2
75	POWER ADAPTOR	1
77	BOTTLE HOLDER B	1
78	CONSOLE MAST GROMMET	1
80	AUDIO CABLE	1
82	FLAT WASHER	20
83	SPRING WASHER	12
84	NUT	12
85	TRUSS HEX SCREW	8
87	TRUSS HEX SCREW	4
89	COUNTER SINK PHILIPS SCREW	4
90	HEX WRENCH	2
91	"PLUS" WRENCH	2
93	LEFT PEDAL	1
94	RIGHT PEDAL	1
95	HAND GRIP HR SENSOR	2
96	TRUSS PHILIPS SELF TAPPING SCREW ST4X25	2
97	FOAM GRIP	1
98	TRUSS END CAP	2
100	ADJUSTMENT CABLE	1
101	LOWER CONSOLE CABLE	1
102	MOTOR	1

NO.	DESCRIPTION	QTY
103	ROUND HEAD PHILIPS SCREW	3
104	FLY WHEEL	1
105	ALLEN FLANGE SCREW NUT	2
106	WASHER	2
107	BEARING	2
108	FLAT HEAD HEX SCREW	1
109	NYLON NUT	1
110	MIDDLE CONSOLE CABLE	1
113	NYLON NUT	4
117	SPACER	1
118	FLAT WASHER	1
120	WIRELESS HAND PULSE RECEIVER	1
121	COUNTER SINK PHILIPS SELF TAPPING SCREW	2
49+97	HAND GRIP+FOAM GRIP	1
122	CLAMP II	1
123	SCKT-HD CAP SCREW	1
124	HANDLE BAR COVER	1
125	TSHAPE KNOB	1



## COMFORT 4.0 / 8.1 PARTS LIST

NO.	DESCRIPTION	QTY
2	POP-PIN	1
3	INNER BUSHING	1
4	BEARING	1
5	DRIVE PULLEY	1
6	MAGNET	1
7	TRANSMISSION SHAFT;NEW;	1
8	SPACER;NEW;	1
9	C-CLIP	1
10	ALLEN HEX SCREW;NEW;	1
11	NYLON NUT	1
12	WAVE WASHER	1
13	BELT	1
15	INDUCTION LOWER CONTROLLER CONNECT-	1
16	SENSOR CABLE	1
17	LOWER CONSOLE CABLE	1
18	ROUND SENSOR FIXING PLASTIC	1
19	ROUND HEAD PHILIPS DRILLING SELF TAPPING	1
20	POWER CORD	1
21	LOWER CONTROL BOARD	1
22	TRUSS PHILIPS SELF TAPPING SCREW	1
24	INDUCTION FLY WHEEL	1
25	ROUND HEAD HEX SCREW	1
26	WASHER	1
27	SPRING WASHER	1
28	LEFT CRANK	1

NO.	DESCRIPTION	QTY
29	RIGHT CRANK	1
30	CRANK COVER	1
31	HEX FLANGE SCREW	1
32	IDLE WHEEL FIXING PLATE;NEW;	1
33	BEARING	1
35	COUNTER SINK PHILIPS SCREW	1
36	SLEEVE	1
37	IDLE WHEEL FLEXING SPRING	1
38	LEFT SHROUD	1
39	RIGHT SHROUD	1
40	CONSOLE MAST DECORATIVE RING	1
41	CRANK DECORATIVE RING	1
42	RUBBER STEP-THROUGH PAD	1
43	SEAT POST SUPPORT TUBE PAD	1
44	CLIP	1
45	TRUSS PHILIPS SELF TAPPING SCREW	1
46	CONSOLE MAST	1
47	MIDDLE CONSOLE CABLE	1
49+97	HAND GRIP	1
54	FRONT STABILIZER	1
55	FRONT STABILIZER COVER	1
56	TRANSPORTATION WHEEL	1
57	TRUSS HEX SCREW	1
58	LEVELER	1
59	REAR STABILIZER	1

NO.	DESCRIPTION	QTY
60	REAR STABILIZER COVER	1
61	SEAT POST	1
62	SEAT POST COVER	1
63	ROUND HEAD PHILIPS SCREW	1
64	SEAT SUPPORTING SHAFT	1
65	END CAP	1
66	TOWEL HOOK	1
67	CARRIAGE BOLT	2
68	FLAT WASHER	1
69	KNOB	1
70	SPACER	1
71	SEAT	1
72	CONSOLE	1
73	TRUSS PHILIPS SCREW	1
74	HAND GRIP HR SENSOR CABLE	2
75	ADAPTOR	1
77	BOTTLE HOLDER B	1
78	CONSOLE MAST GROMMET	1
80	AUDIO CABLE	1
82	FLAT WASHER	3
83	SPRING WASHER	2
84	NUT	2
85	TRUSS HEX SCREW	2
87	TRUSS HEX SCREW	12
89	COUNTER SINK PHILIPS SCREW	1

NO.	DESCRIPTION	QTY
90	HEX WRENCH	1
91	"PLUS" WRENCH	1
93	LEFT PEDAL	1
94	RIGHT PEDAL	1
95	HAND GRIP HR SENSOR	2
96	TRUSS PHILIPS SELF TAPPING SCREW	2
97	FOAM--HANDLE BAR	1
98	TRUSS END CAP	2
113	NYLON NUT	2
115	WASHER	1
116	COUNTER SINK PHILIPS SCREW	1
120	WIRELESS HAND PULSE RECEIVER	1
121	COUNTER SINK PHILIPS SELF TAPPING SCREW	2
1-1	MAIN FRAME;NEW	1
122	CLAMP II	1
123	SCKT-HD CAP SCREW	1
124	HANDLE BAR COVER	1
125	TSHAPE KNOB	1





## COMFORT R8.0 PARTS LIST

NO.	DESCRIPTION	QTY
1	MAIN FRAME	1
2	BEARING	2
3	DRIVE PULLEY	1
4	MAGNET	1
5	TRANSMISSION SHAFT	1
6	C-CLIP	1
7	ALLEN HEX SCREW	4
8	SPRING WASHER	4
9	NYLON NUT	4
10	WAVE WASHER	1
11	BUSHING	1
12	BELT	1
13	TWIST TIE	4
14	HAND PULSE WIRE FOR FRAME	1
15	ROUND SENSOR FIXING PLASTIC	1
16	ROUND HEAD PHILIPS DRILLING SELF TAPPING	1
17	ZIP TIE	4
18	POWER CORD	1
20	SPEED SENSOR CABLE	1
21	MIDDLE CONSOLE CABLE	1
22	LOWER CONSOLE CABLE	1
23	LOWER CONTROL BOARD	1
24	ALLEN HEX FLANGE SLIP SCREW NUT	3
24	TRUSS SELF TAPPING SCREW	1
25	INDUCTION FLY WHEEL	1

NO.	DESCRIPTION	QTY
26	HEX SCREW	4
27	WASHER	4
28	SPRING WASHER	4
29	LEFT CRANK	1
30	RIGHT CRANK	1
31	CRANK COVER	1
31	CRANK COVER	1
32	CRANK DECORATIVE RING	2
33	ALLEN HEX FLANGE SLIP SCREW	1
33	ALLEN HEX FLANGE SLIP SCREW	1
34	IDLE WHEEL FLEXING SPRING	1
35	ADJUSTMENT SCREW	1
36	FLANGE SCREW	1
37	IDLE WHEEL FIXING PLATE	1
38	BEARING	3
39	C-CLIP	1
40	COUNTER SINK PHILIPS SCREW	3
41	BUSHING	3
42	LEFT SHROUD	1
43	RIGHT SHROUD	1
44	CONNECTING PLATE	1
45	TRUSS PHILIPS SCREW	1
45	TRUSS PHILIPS SCREW	2
46	CONSOLE MAST GROMMET	1
47	TRUSS PHILIPS SELF TAPPING SCREW	4

## COMFORT R8.0 PARTS LIST

NO.	DESCRIPTION	QTY
47	TRUSS PHILIPS SELF TAPPING SCREW	4
48	REAR SUPPORT TUBE LEFT COVER	1
49	REAR SUPPORT TUBE RIGHT COVER	1
50	CLIP-SHORT	2
51	REAR SUPPORT TUBE TOP COVER	1
52	BASE TUBE LEFT COVER	1
53	BASE TUBE RIGHT COVER	1
54	RUBBER STEP-THROUGH PAD	1
55	CONSOLE MAST	1
56	TRUSS END CAP	2
56	TRUSS END CAP	2
57	UPPER HAND GRIP HR CABLE	1
58	FOAM GRIP-FRONT	2
59	CLIP-SHORT	5
60	BOTTLE HOLDER A	1
62	SEAT FRAME BASE ASSEMBLY	1
63	END CAP	4
64	BUSHING	1
65	SEAT ADJUSTMENT HANDLE	1
66	BUSHING	1
67	HANDLE PLASTIC CAP	1
68	TRUSS PHILIPS SELF TAPPING SCREW	1
70	REAR HANDLEBAR WELDING SET	1
71	TAPPING SCREW	2
72	HAND GRIP HR SENSOR	2

NO.	DESCRIPTION	QTY
73	HAND GRIP HR SENSOR CABLE FOR THE	1
75	CORD CAP	1
75	CORD CAP	1
76	FOAM GRIP	2
77	FRONT STABILIZER ASSEMBLY	1
78	FRONT STABILIZER COVER	1
79	TRANSPORTATION WHEEL	2
80	TRUSS HEX SCREW	2
81	LEVELER	2
81	LEVELER	2
82	TRUSS PHILIPS SCREW	6
83	REAR STABILIZER ASSEMBLY	1
84	REAR STABILIZER COVER	1
85	SEAT RAIL	1
86	ARC END CAP	1
88	SEAT STOP	1
89	CONSOLE	1
90	ADAPTOR	1
91	BACKREST PAD	1
92	SEAT PAD	1
93	CARRIAGE SCREW	8
94	SPRING WASHER	8
95	FLAT WASHER	32
96	NUT	8
97	TRUSS PHILIPS SELF TAPPING SCREW	4

NO.	DESCRIPTION	QTY
98	TRUSS HEX SCREW	16
99	TRUSS HEX SCREW	8
100	TRUSS HEX SCREW	4
103	CKS HEX SCREW	12
104	SPRING WASHER	6
105	HEX WRENCH	2
106	"PLUS" WRENCH	2
107	HEX WRENCH	2
108	LEFT PEDAL	1
109	RIGHT PEDAL	1
111	COUNTER SINK HEX SCREW	4
112	ARC WASHER	4
114	FLAT WASHER	2
115	PLASTIC PAD	1
116	ROUND HEAD SELF TAPPING SCREW	1
125	FLAT WASHER	2
126	BUSHING	1
127	SOUND SOURCE WIRE	1
129	WIRELESS HAND PULSE RECEIVER	1
130	COUNTER SINK PHILIPS SELF TAPPING SCREW	2
42-1	LEFT SHROUD	1
43-1	RIGHT SHROUD	1
46-1	CONSOLE MAST GROMMET	1
48-1	REAR SUPPORT TUBE LEFT COVER	1
49-1	REAR SUPPORT TUBE RIGHT COVER	1

**Eng: Waste Disposal**

VISION Fitness / HORIZON Fitness / TEMPO Fitness / TREO Fitness products are recyclable.  
At the end of its useful life please dispose of this article correctly and safely (local refuse sites).

**Ger: Entsorgungshinweis**

Die Produkte VISION Fitness/HORIZON Fitness/TEMPO Fitness/TREO Fitness sind recycelbar.  
Führen Sie das Gerät am Ende der Nutzungsdauer einer sachgerechten Entsorgung zu (örtliche Sammelstelle).

**Dut: Verwijderingsaanwijzing**

VISION Fitness / HORIZON Fitness / TEMPO Fitness / TREO Fitness producten zijn recyclebaar. Breng het apparaat aan het einde van de gebruiksduur naar een in recycling gespecialiseerd bedrijf (plaatselijk verzamelpunt).

**Fre: Remarque relative à la gestion des déchets**

Les produits VISION Fitness / HORIZON Fitness / TEMPO Fitness / TREO Fitness sont recyclables. Lorsque cet appareil arrive en fin de vie, veuillez l'éliminer de manière correcte et en toute sécurité en le déposant dans une déchetterie communale.

**Ita: Indicazione sullo smaltimento**

I prodotti VISION Fitness / HORIZON Fitness / TEMPO Fitness / TREO Fitness sono riciclabili. Quando l'apparecchio non servirà più, portarlo in un apposito punto di raccolta della propria città (punti di raccolta comunali).

**Spe: Gestión de residuos**

Los productos de VISION Fitness / HORIZON Fitness / TEMPO Fitness / TREO Fitness son reciclables.  
Cuando se termine su vida útil, por favor deshágase de este artículo de forma correcta y segura en un punto limpio.

**Prb: Descarte**

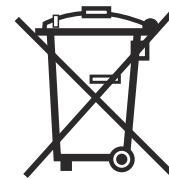
Os produtos VISION Fitness / HORIZON Fitness / TEMPO Fitness / TREO Fitness são recicláveis.  
No final de sua vida útil, descarte este equipamento corretamente e com segurança (sites de locais de lixo).

**ChT: 廢棄物處理**

VISION Fitness / HORIZON Fitness / TEMPO Fitness / TREO Fitness 產品為可回收產品。  
產品的使用年限期滿後，請依照正確且安全的方式處理本廢棄商品 (當地的廢棄場)。

**ChS: 废弃物处理**

VISION Fitness / HORIZON Fitness / TEMPO Fitness / TREO Fitness 产品是可回收利用的。  
在其使用期结束后，请正确安全地 (在本地垃圾处理场) 处理本品。



# WICHTIGE SICHERHEITSHINWEISE



## BEWAHREN SIE DIE ANLEITUNGEN AUF

Beim Gebrauch eines elektronischen Trainingsgeräts sollten die folgenden grundlegenden Sicherheitshinweise unbedingt beachtet werden: Lesen Sie alle Anleitungen, bevor Sie diesen Ergometer benutzen. Der Besitzer ist dafür verantwortlich, dass alle Benutzer dieses Ergometers über alle Warn- und Sicherheitshinweise hinreichend informiert sind. Wenn Sie nach dem Lesen dieser Bedienungsanleitung weitere Fragen haben, wenden Sie sich an Ihren Händler vor Ort.



# WARNUNG

## **LESEN SIE ALLE ANLEITUNGEN UND BEWAHREN SIE SIE AUF, BEVOR SIE DIESEN ERGOMETER ZUSAMMENBAUEN ODER BENUTZEN. ES WIRD DRINGEND EMPFOHLEN, DIE FOLGENDEN SICHERHEITSHINWEISE ZU BEACHTEN.**

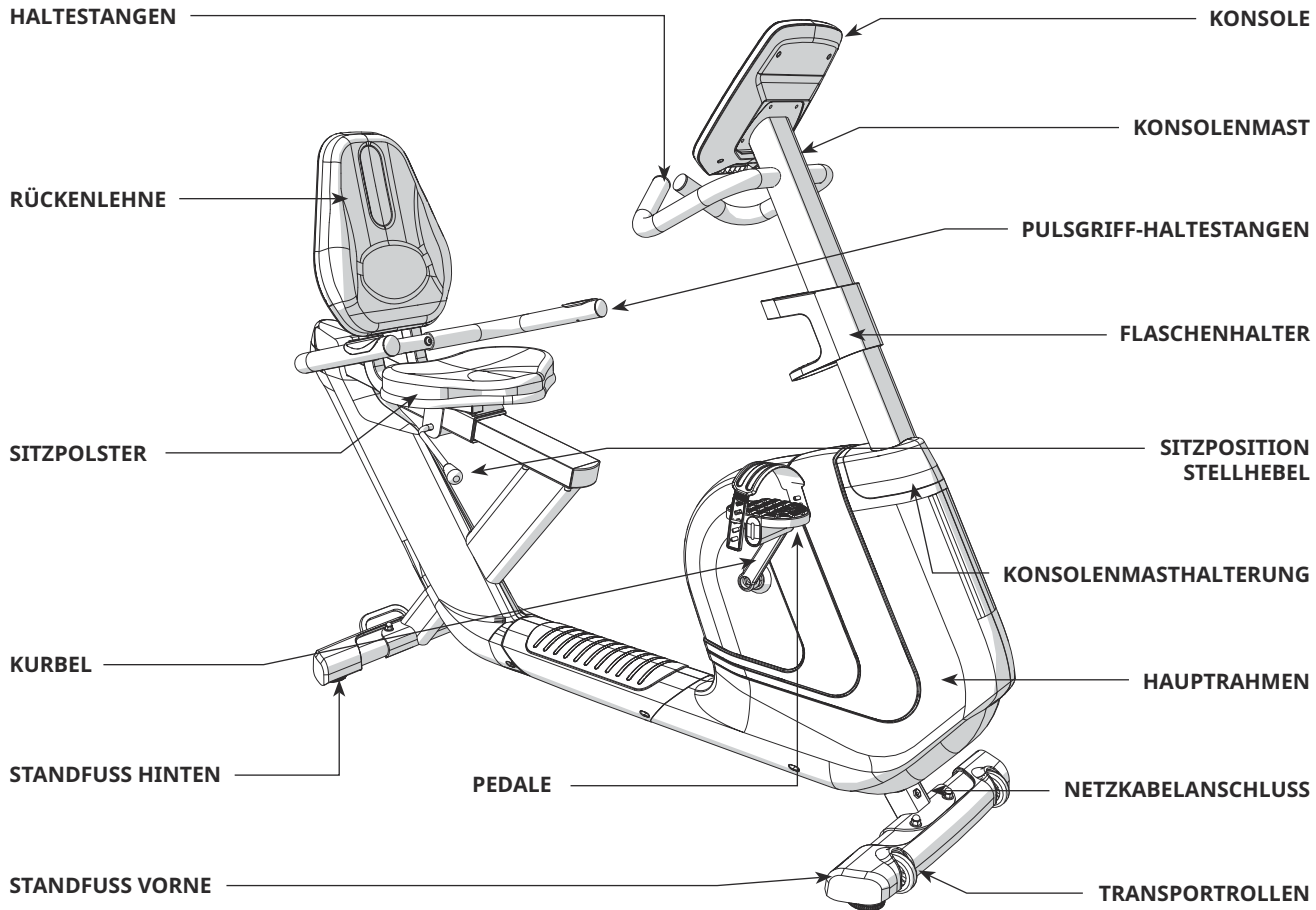
- **VORSICHT:** Sollten während des Trainings Brustschmerzen, Übelkeit, Schwindel oder Kurzatmigkeit auftreten, beenden Sie sofort das Training und suchen Sie einen Arzt auf, bevor Sie das Training fortsetzen.
- Verwenden Sie diesen Ergometer nur zu dem in diesem Benutzerhandbuch beschriebenen Zweck. Verwenden Sie keine Anbauteile, die nicht vom Hersteller empfohlen wurden.
- Verwenden Sie den Ergometer nur, wenn er ordnungsgemäß funktioniert und nicht beschädigt ist. Wenden Sie sich an einen autorisierten Händler, um das Gerät überprüfen und reparieren zu lassen.
- Verwenden Sie den Ergometer niemals ohne geeignetes Schuhwerk. Verwenden Sie den Ergometer NIEMALS barfuß.
- Tragen Sie keine Kleidung, die sich an den beweglichen Komponenten dieses Ergometers verfangen könnte.
- Achten Sie darauf, dass Hände und Füße nicht in die Nähe der beweglichen Teile gelangen, um Verletzungen zu vermeiden. Drehen Sie die Pedalkurbeln niemals mit den Händen.
- Beginnen Sie mit dem Abbau des Ergometers erst, wenn die Pedale vollständig in der RUHEPOSITION sind.
- Fahren Sie den Ergometer erst im Stehen bei hohen Drehzahlen, wenn Sie bei langsamerer Geschwindigkeit geübt haben.
- Stecken Sie niemals Ihre Hände, Füße oder Gegenstände jeglicher Art in die Öffnungen des Geräts und halten Sie Hände, Arme oder Füße vom Antriebsmechanismus oder anderen beweglichen Komponenten des Ergometers fern.
- Nehmen Sie das Gerät nicht an Orten in Betrieb, an denen Aerosolprodukte (Spray) verwendet oder Sauerstoff verabreicht wird.
- Wenn sich Kinder oder Menschen mit Behinderungen in der Nähe des Geräts aufhalten, muss dieses streng überwacht werden.
- Während der Ergometer in Betrieb ist, sollten junge Kinder und Haustiere einen Mindestabstand von 3 Metern einhalten.
- Stellen Sie sicher, dass die Stellhebel (Sitz und Haltestange vorne & hinten) ordnungsgemäß gesichert sind und beim Training den Bewegungsablauf nicht stören.
- Dieser Ergometer ist nur für die Nutzung zu Hause und in Innenräumen gedacht.
- Das Gerät besitzt ein geschwindigkeitsunabhängiges System.
- Wenn die Stellhebel nicht ordnungsgemäß gesichert sind, können sie den Bewegungsablauf des Benutzers behindern.
- **WARNUNG!** Herzfrequenzüberwachungssysteme können ungenau sein. Exzessives Training kann zu ernsthaften Verletzungen oder Tod führen. Brechen Sie das Training sofort ab, wenn Sie Schwindel oder Benommenheit fühlen.







Comfort  
R8.0



## ERFORDERLICHE WERKZEUGE:

- 13/15 mm Gabelschlüssel/  
Kreuzschlitzschraubendreher
- 5 mm L-Schraubenschlüssel
- 6 mm L-Schraubenschlüssel

## IM LIEFERUMFANG ENTHALTENE TEILE:

- 1 Hauptrahmen
- 1 Konsole
- 1 Konsolenmast
- 1 Konsolenmasthalterung
- 1 Flaschenhalter
- 1 Standfuß vorne
- 1 Standfuß hinten
- 1 Sitzpolster
- 1 Rückenlehne
- 1 Sitzrahmen
- 1 Sitzrahmenabdeckung
- 1 Pulsgriff-Haltestange
- 2 Pedale mit Riemen
- 1 Audioadapterkabel
- 1 Netzkabel
- 1 Gerätesatz

# RECUMBENT BIKE VOR DEM AUFBAU

## AUSPACKEN

Packen Sie das Produkt an der Stelle aus, an der Sie es aufstellen möchten. Stellen Sie den Karton mit dem Trainingsgerät auf eine ebene Fläche. Es empfiehlt sich, den Boden mit einer Schutzfolie auszulegen. Öffnen Sie den Karton nicht, wenn er auf der Seite liegt.

## WICHTIGE HINWEISE

Stellen Sie bei jedem Aufbauschnitt sicher, dass ALLE Schrauben und Muttern eingesetzt sind und ein Gewinde besitzen. Es wird empfohlen, den kompletten Aufbau des Geräts abzuschließen, bevor Sie irgendeine Schraube festziehen.

Einige Komponenten wurden für einen leichteren Aufbau und Gebrauch werksseitig vorgefettet. Entfernen Sie das Fett bitte nicht. Sollten Schwierigkeiten auftreten, empfiehlt sich die Anwendung von etwas Lithium-Fahrradfett.

## BENÖTIGEN SIE UNTERSTÜTZUNG?

Bei Fragen oder fehlenden Teilen wenden Sie sich an Ihren lokalen Händler. Kontaktinformationen finden Sie möglicherweise auf der Rückseite Ihres Handbuchs oder auf der Garantiekarte.

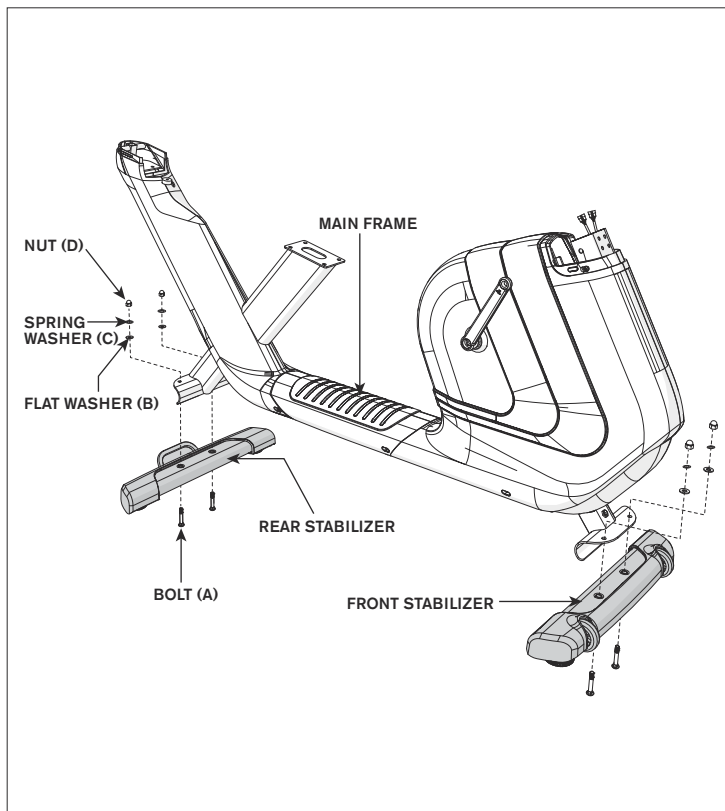


Comfort  
R8.0

# RECUMBENT BIKE AUFBAUSCHRITT 1



Comfort  
R8.0



## HARDWARE FÜR SCHRITT 1



SCHRAUBE (A)  
M8 X 56 MM  
MENGE: 4



UNTERLEGSCHLEIBE  
(B)  
Φ9X Φ18 X 2.0T MM  
MENGE: 4



FEDERSCHLEIBE (C)  
M8 X 2.0T MM  
MENGE: 4



MUTTER (D)  
M8  
MENGE: 4

- A Öffnen Sie die **HARDWARE FÜR SCHRITT 1**.
- B Befestigen Sie den **HINTEREN STANDFUSS** am **HAUPTRAHMEN** mit **2 SCHRAUBEN (A)**, **2 UNTERLEGSCHLEIBEN (B)**, **2 FEDERSCHLEIBEN (C)** und **2 MUTTERN (D)**.
- C Befestigen Sie den **VORDEREN STANDFUSS** am **HAUPTRAHMEN** mit **2 SCHRAUBEN (A)**, **2 UNTERLEGSCHLEIBEN (B)**, **2 FEDERSCHLEIBEN (C)** und **2 MUTTERN (D)**.

Hinweis: Das Anheben des Geräts hilft beim Aufbau. Wenn Sie zuerst den Standfuß und dann die Schrauben einsetzen, erleichtert das den Aufbau ebenfalls.

# RECUMBENT BIKE AUFBAUSCHRITT 2



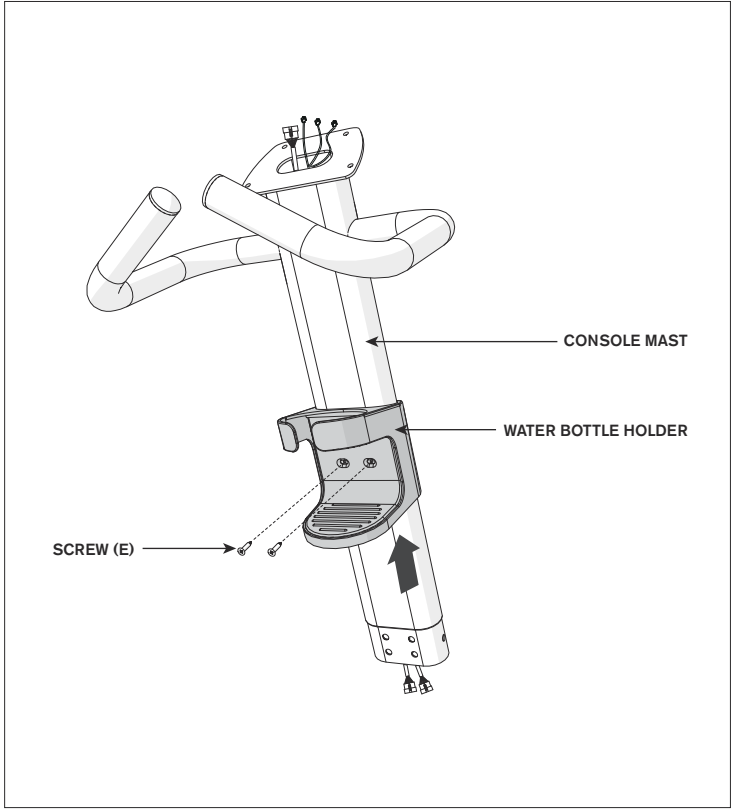
Comfort  
R8.0

## HARDWARE FÜR SCHRITT 2



SCHRAUBE (E)  
M4 X 12 MM  
MENGE: 2

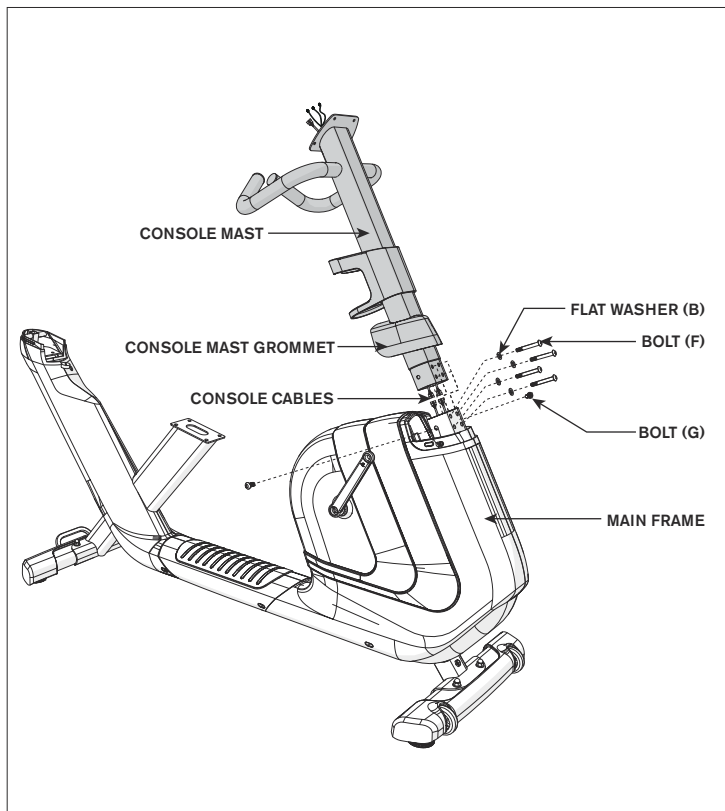
- A Öffnen Sie die **HARDWARE FÜR SCHRITT 2**.
- B Schieben Sie den **FLASCHENHALTER** auf den **KONSOLENMAST** und richten Sie die Schraubenlöcher des **FLASCHENHALTERS** und des **KONSOLENMASTES** aus.
- C Befestigen Sie den **FLASCHENHALTER** mit 2 **SCHRAUBEN (E)**.



# RECUMBENT BIKE AUFBAUSCHRITT 3





Comfort  
R8.0



## HARDWARE FÜR SCHRITT 3

 SCHRAUBE (F)  
M8 X 60 MM  
MENGE: 4

 SCHRAUBE (G)  
M8 X 18 MM  
MENGE: 2

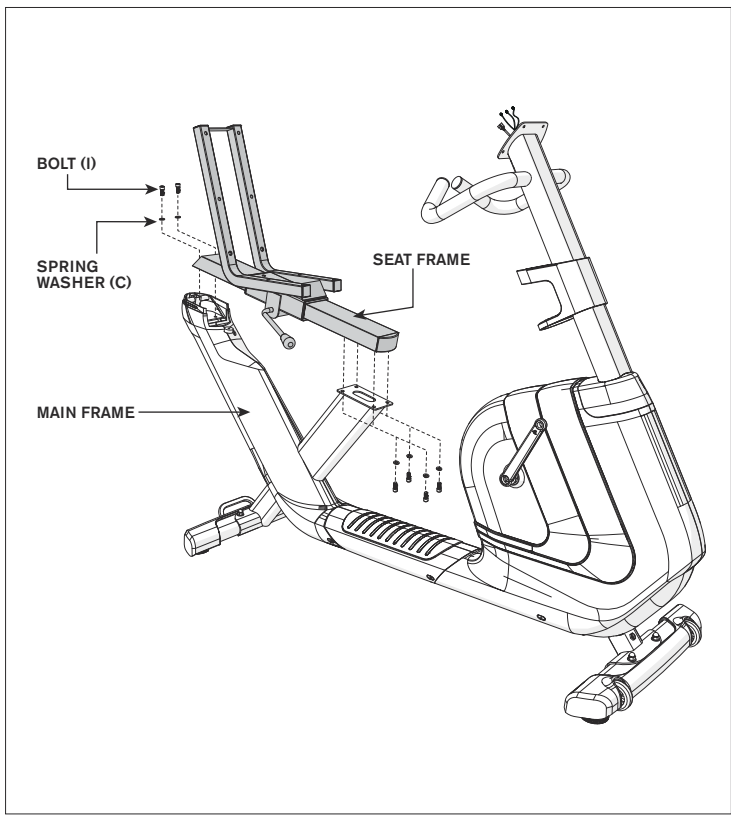
 UNTERLEGSCHIEBE (B)  
Φ9 X Φ18 X 2,0T MM  
MENGE: 4

- A Öffnen Sie die **HARDWARE FÜR SCHRITT 3**.
- B Schieben Sie die **KONSOLEMASTHALTERUNG** von unten nach oben auf den **KONSOLEMAST**.
- C Befestigen Sie die **KONSOLEKABEL** und verstauen Sie sorgfältig alle Kabel im **HAUPTRAHMEN**. Schieben Sie den **KONSOLEMAST** in den **HAUPTRAHMEN**.
- D Befestigen Sie den **KONSOLEMAST** mit **2 SCHRAUBEN (G)** von den Seiten sowie mit **4 SCHRAUBEN (F)** und **4 UNTERLEGSCHIEBEN (B)** von vorne.
- E Schieben Sie die **KONSOLEMASTHALTERUNG** nach unten über den **HAUPTRAHMEN**.

# RECUMBENT BIKE AUFBAUSCHRITT 4




Comfort  
R8.0



## HARDWARE FÜR SCHRITT 4

 SCHRAUBE (I)  
M8 X 18 MM  
MENGE: 6

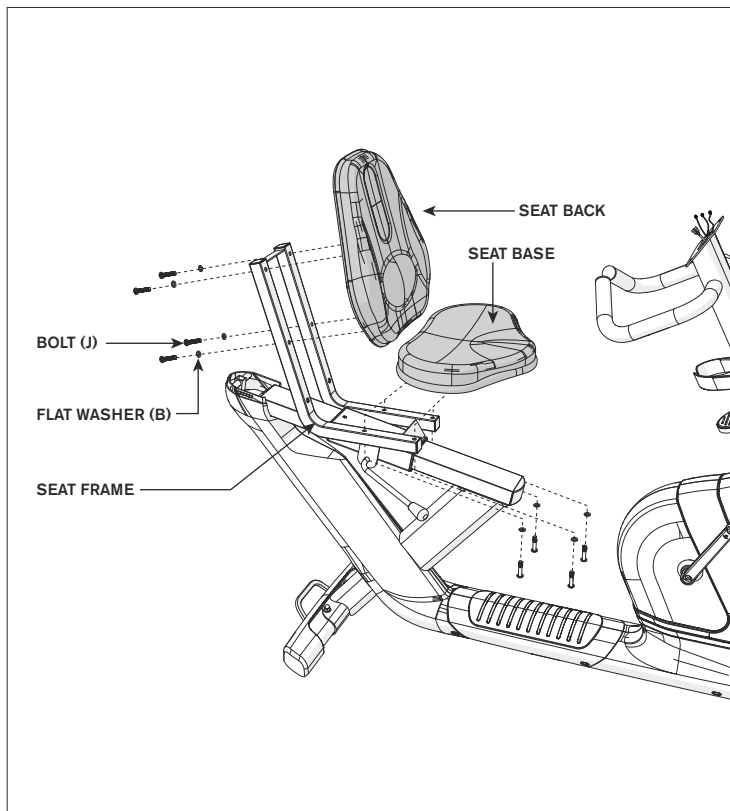
 FEDERSCHEIBEN (C)  
M8 X 2.0T MM  
MENGE: 6

- A Öffnen Sie die **HARDWARE FÜR SCHRITT 4**.
- B Befestigen Sie den **SITZRAHMEN** am **HAUPTRAHMEN** mit 6 **ZYLINDERKOPFSCHRAUBEN (I)** und 6 **FEDERSCHEIBEN (C)**, wie in der Abbildung gezeigt.

## RECUMBENT BIKE AUFBAUSCHRITT 5



Comfort  
R8.0



### HARDWARE FÜR SCHRITT 5

 SCHRAUBE (J)  
M8 X 45 MM  
MENGE: 8

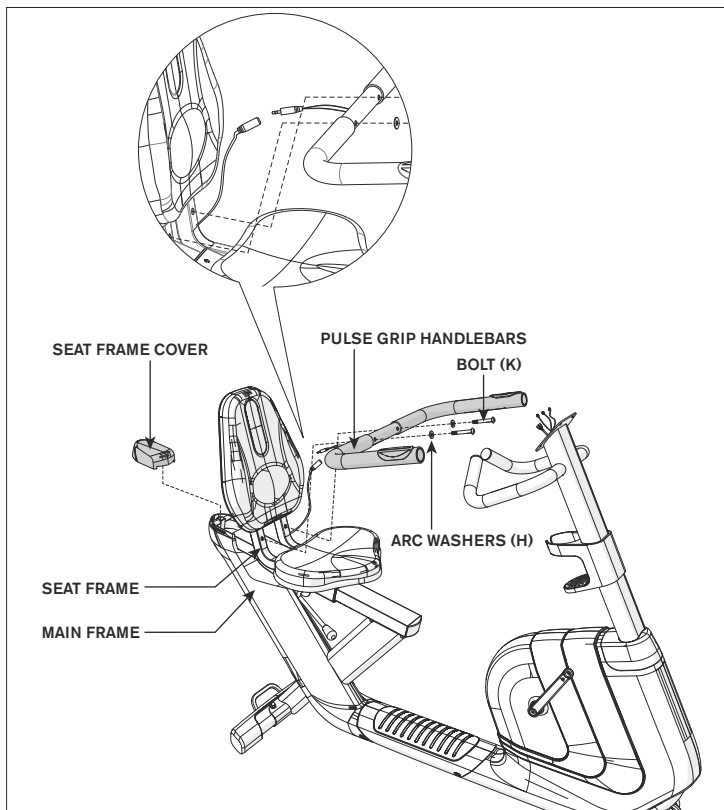
 UNTERLEGSCHIBE (B)  
Φ9 XΦ18 X 2.0T MM  
MENGE: 8

- A Öffnen Sie die **HARDWARE FÜR SCHRITT 5**.
- B Befestigen Sie das **SITZPOLSTER** am **SITZRAHMEN** mit 4 **SCHRAUBEN (J)** und 4 **UNTERLEGSCHIBEN (B)**.
- C Befestigen Sie die **RÜCKENLEHNE** am **SITZRAHMEN** mit 4 **SCHRAUBEN (J)** und 4 **UNTERLEGSCHIBEN (B)**.

# RECUMBENT BIKE AUFBAUSCHRITT 6




Comfort  
R8.0



## HARDWARE FÜR SCHRITT 6

 SCHRAUBE (K)  
M10 X 65 MM  
MENGE: 2

 UNTERLEGSCHIBE  
(GEBOGEN) (H)  
Φ10.5 XΦ20 X 2.0T MM  
MENGE: 2

- A Öffnen Sie die **HARDWARE FÜR SCHRITT 6**.
- B Befestigen Sie die **PULSGRIF-HALTESTANGEN** am **SITZRAHMEN** mit 2 **SCHRAUBEN (K)** und 2 **UNTERLEGSCHIBEN (GEBOGEN) (H)**.
- C Befestigen Sie die **SITZRAHMENABDECKUNG** am **HAUPTRAHMEN**, wie in der Abbildung gezeigt.
- D Befestigen Sie die Herzfrequenzdrähte an den **PULSGRIF-HALTESTANGEN** mit den Herzfrequenzdrähten am **HAUPTRAHMEN**.

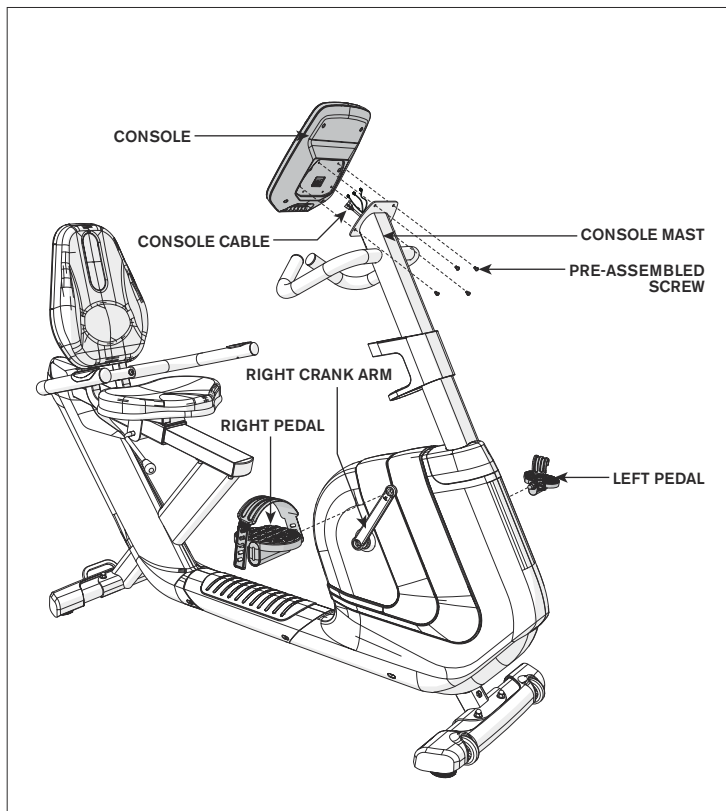
Hinweis: Vergewissern Sie sich vor der Montage der Haltestange, dass sie in der richtigen Position ist, wobei der Pulsgriff nach oben und das Kabel nach unten zeigt.



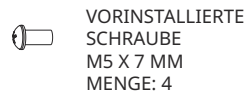
# RECUMBENT BIKE AUFBAUSCHRITT 7



Comfort  
R8.0



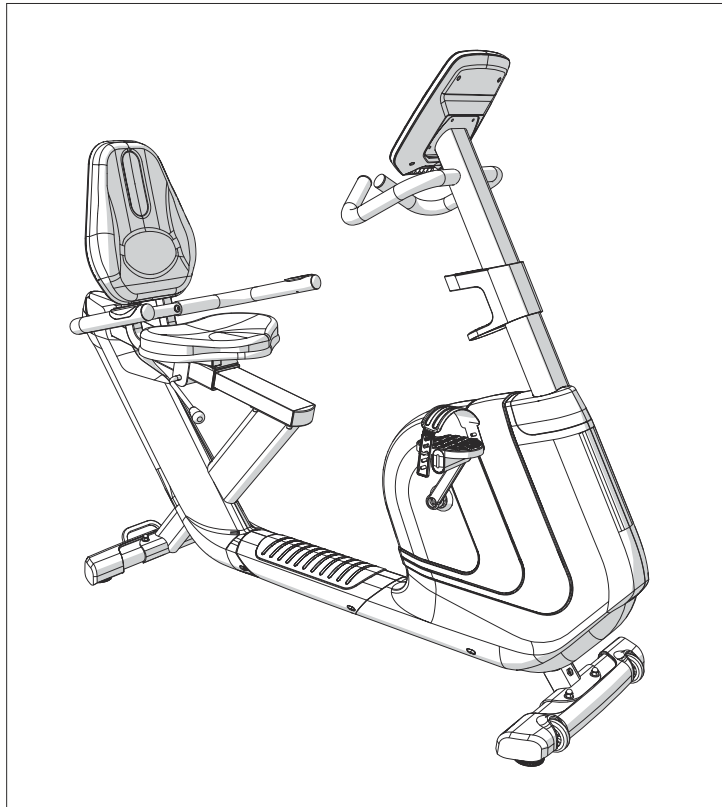
## HARDWARE FÜR SCHRITT 7



- A **HARDWARE FÜR SCHRITT 7** ist vorinstalliert.
- B Befestigen Sie das **RECHTE PEDAL** am **RECHTEN PEDALARM** und ziehen Sie es im Uhrzeigersinn mit einem 13mm/15mm-Gabelschlüssel fest.
- C Befestigen Sie das **LINKE PEDAL** am **LINKEN PEDALARM** und ziehen Sie es gegen den Uhrzeigersinn mit einem 13mm/15mm-Gabelschlüssel fest. (HINWEIS: Der linke Pedalarm hat ein umgekehrtes Gewinde, daher ist es sehr wichtig, dass gegen den Uhrzeigersinn festgezogen wird. Wird in die falsche Richtung festgezogen, kann das Pedal, der Pedalarm oder beides beschädigt werden.)
- D Verbinden Sie das **KONSOLENKABEL** und verstauen Sie es sorgfältig im **KONSOLENMAST**.
- E Befestigen Sie die **KONSOLE** am **KONSOLENMAST** mit den 4 **VORINSTALLIERTEN SCHRAUBEN**.

Hinweis: Möglicherweise benötigen Sie einen 15 mm-Gabelschlüssel, um das Pedal zu installieren. Bitte achten Sie darauf, sich beim Zusammenbau nicht zu verletzen.

# RECUMBENT BIKE AUFBAU



**AUFBAU ABGESCHLOSSEN!**

## **Comfort R8.0**

Gesamtabmessungen: 165 x 64 x 135 cm

Nettogewicht: 49,5 kg

Bruttogewicht: 56,5 kg

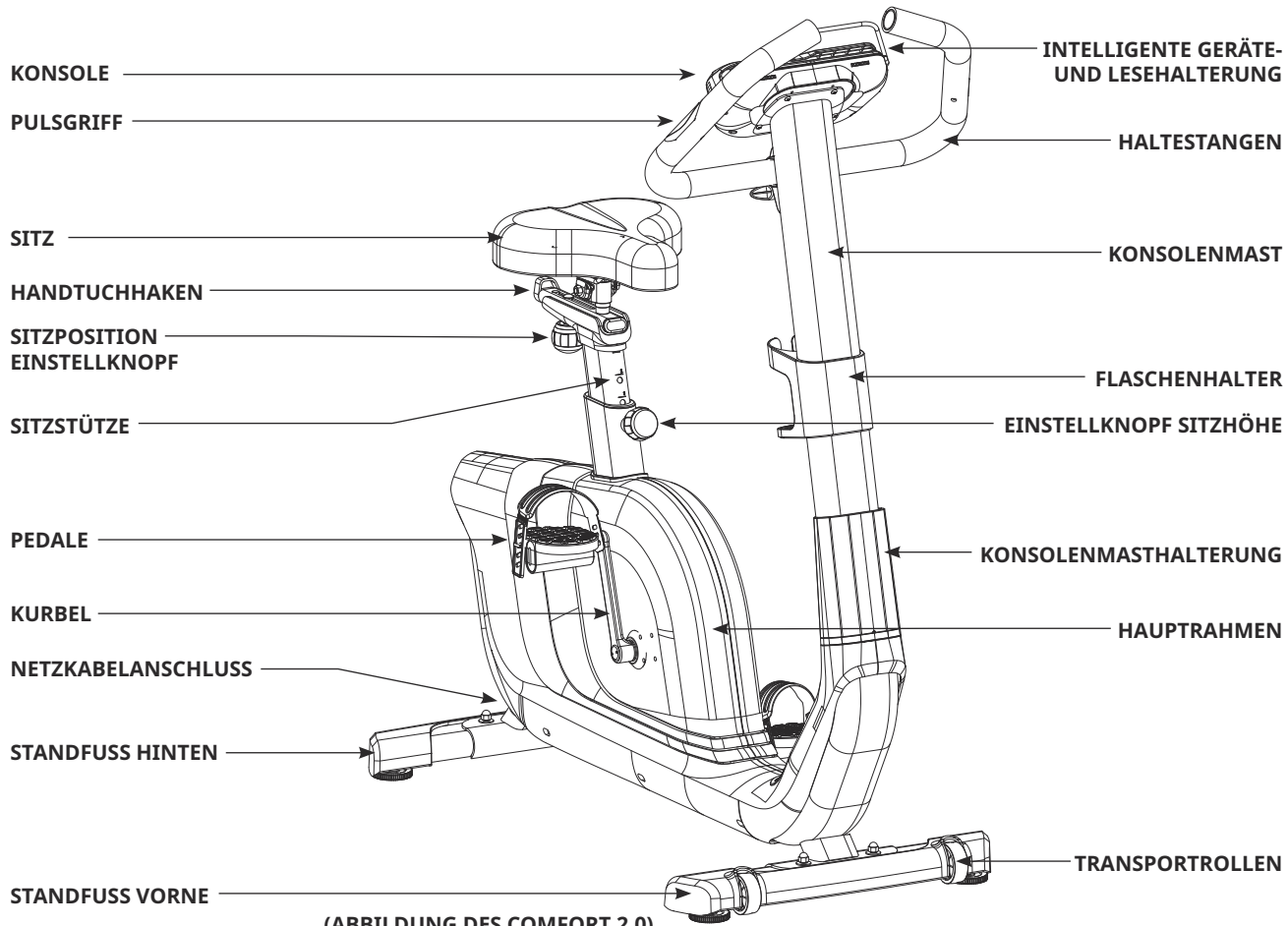
Max. Nutzergewicht: 136 kg



Comfort  
R8.0



Comfort  
Upright  
Bike



(ABBILDUNG DES COMFORT 2.0)

## ERFORDERLICHE WERKZEUGE:

- 13/15 mm Gabelschlüssel/  
Kreuzschlitzschraubendreher
- 6 mm L-Schraubenschlüssel

## IM LIEFERUMFANG ENTHALTENE TEILE:

- 1 Hauptrahmen
- 1 Konsole
- 1 Konsolenmast
- 1 Konsolenmasthalterung
- 1 Flaschenhalter
- 1 Standfuß vorne
- 1 Standfuß hinten
- 1 Sitz
- 1 Sitzstütze
- 2 Pedale mit Riemen
- 1 Audioadapterkabel
- 1 Netzkabel
- 1 Gerätesatz

# UPRIGHT BIKE VOR DEM AUFBAU

## AUSPACKEN

Packen Sie das Produkt an der Stelle aus, an der Sie es aufstellen möchten. Stellen Sie den Karton mit dem Ergometer auf eine ebene Fläche. Es empfiehlt sich, den Boden mit einer Schutzfolie auszulegen. Öffnen Sie den Karton nicht, wenn er auf der Seite liegt.

## WICHTIGE HINWEISE

Stellen Sie bei jedem Aufbauschritt sicher, dass ALLE Schrauben und Muttern eingesetzt sind und ein Gewinde besitzen. Es wird empfohlen, den kompletten Aufbau des Geräts abzuschließen, bevor Sie irgendeine Schraube festziehen.

Einige Komponenten wurden für einen leichteren Aufbau und Gebrauch werksseitig vorgefettet. Entfernen Sie das Fett bitte nicht. Sollten Schwierigkeiten auftreten, empfiehlt sich die Anwendung von etwas Lithium-Fahrradfett.

## BENÖTIGEN SIE UNTERSTÜTZUNG?

Bei Fragen oder fehlenden Teilen wenden Sie sich an Ihren lokalen Händler. Kontaktinformationen finden Sie möglicherweise auf der Rückseite Ihres Handbuchs oder auf der Garantiekarte.

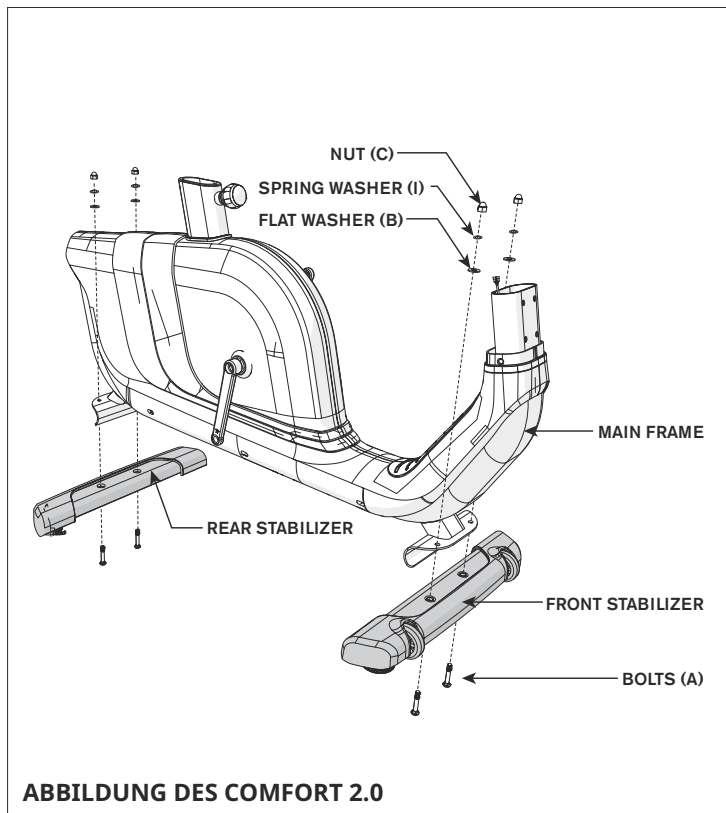


Comfort  
Upright  
Fahrrad

# UPRIGHT BIKE AUFBAUSCHRITT 1





Comfort  
Upright  
Fahrrad




## HARDWARE FÜR SCHRITT 1

 SCHRAUBE (A)  
M8 X 56 MM  
MENGE: 4

 UNTERLEGSCHLEIBE  
(B)  
Φ9 X Φ20 X 2.0T MM  
MENGE: 4

 MUTTER (C)  
M8  
MENGE: 4

 FEDERSCHLEIBE (I)  
M8 X 2.0T MM  
MENGE: 4

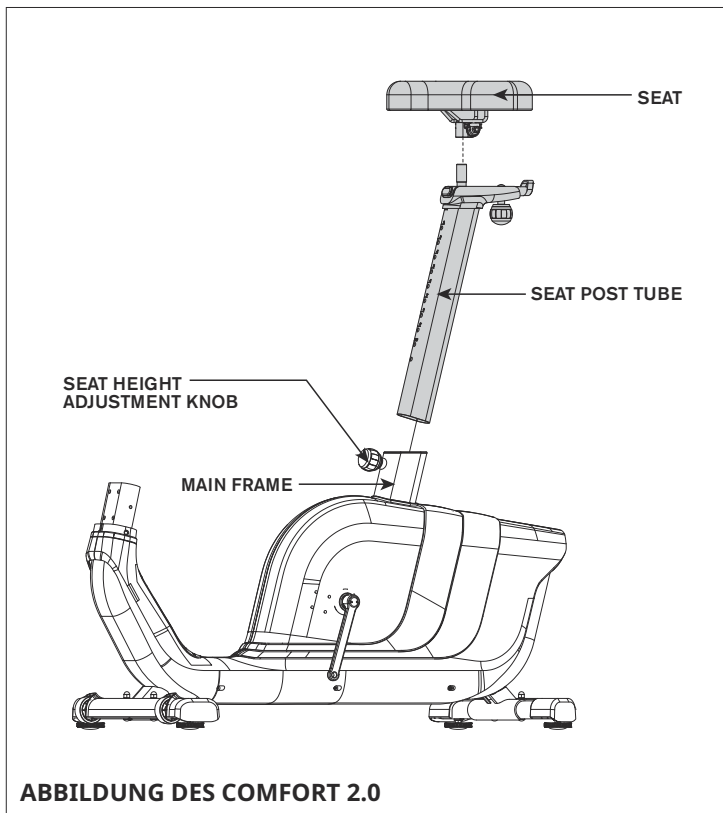
- A Öffnen Sie die **HARDWARE FÜR SCHRITT 1**.
- B Befestigen Sie den **HINTEREN STANDFUSS** am **HAUPTTRAHMEN** mit 2 **SCHRAUBEN (A)**, 2 **UNTERLEGSCHLEIBEN (B)**, 2 **FEDERSCHLEIBEN (I)** und 2 **MUTTERN (C)**.
- C Befestigen Sie den **VORDEREN STANDFUSS** am **HAUPTTRAHMEN** mit 2 **SCHRAUBEN (A)**, 2 **UNTERLEGSCHLEIBEN (B)**, 2 **FEDERSCHLEIBEN (I)** und 2 **MUTTERN (C)**.

Hinweis: Das Anheben der Maschine hilft beim Aufbau. Wenn Sie zuerst den Standfuß dann die Schrauben einsetzen, erleichtert das den Aufbau ebenfalls.

## UPRIGHT BIKE AUFBAUSCHRITT 2



Comfort  
Upright  
Bike



Hinweis: Für diesen Schritt ist keine Hardware erforderlich.

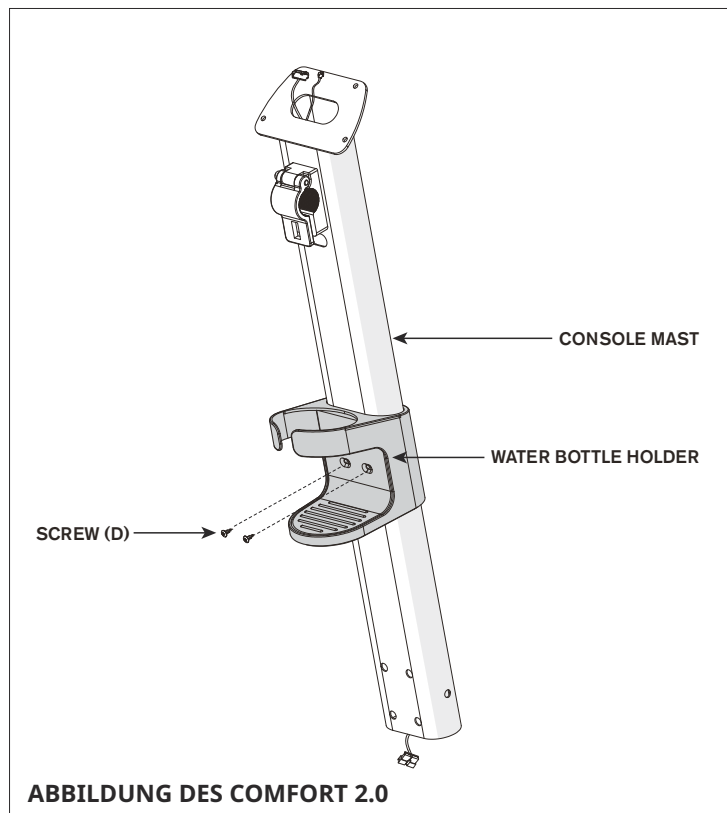
- A Befestigen Sie den **SITZ** an der **SITZSTÜTZE** und ziehen Sie die **SITZMUTTERN** mit einem 13 mm-Gabelschlüssel fest. (Möglicherweise benötigen Sie einen zusätzlichen 13 mm-Gabelschlüssel, um die Montage des Sitzes zu erleichtern).
- B Lösen Sie den **EINSTELLKNOPF FÜR DIE SITZHÖHE**, indem Sie ihn um zwei halbe Umdrehungen gegen den Uhrzeigersinn drehen.
- C Ziehen Sie den **EINSTELLKNOPF FÜR DIE SITZHÖHE** dann nach außen und schieben Sie gleichzeitig die **SITZSTÜTZE** in den **HAUPTTRAHMEN**.

Hinweis: Achten Sie beim Zusammenbau des Sitzes auf die richtige Position des Sitzes. Wenn Sie den vorderen Teil des Sitzes nach oben kippen, stabilisiert das vielleicht ihre Position beim Training.

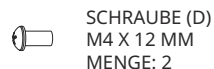
## UPRIGHT BIKE AUFBAUSCHRITT 3



Comfort  
Upright  
Bike



### HARDWARE FÜR SCHRITT 3



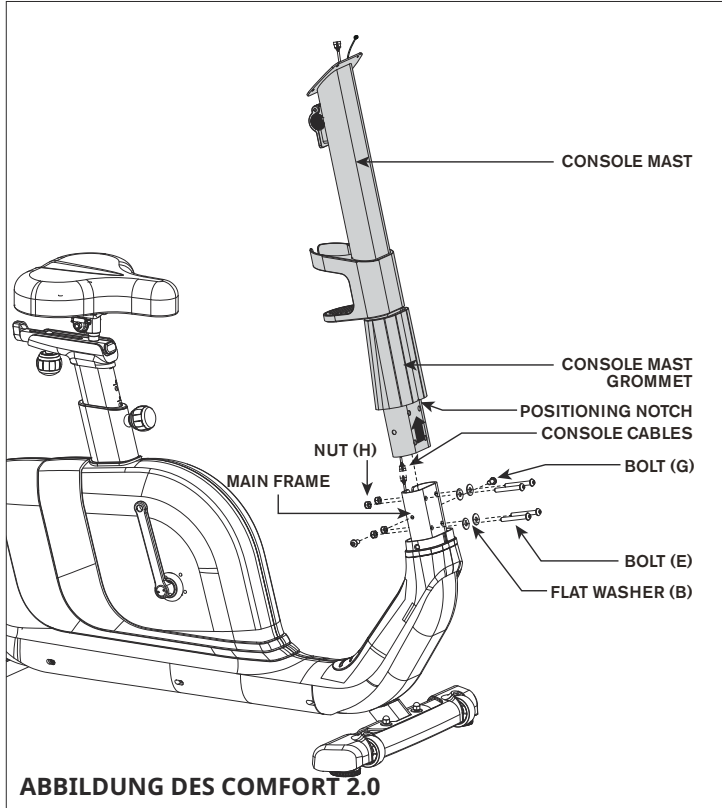
- Öffnen Sie die **HARDWARE FÜR SCHRITT 3**.
- Schieben Sie den **FLASCHENHALTER** auf den **KONSOLEMAST** und richten Sie die Schraubenlöcher des **FLASCHENHALTERS** und des **KONSOLEMASTS** aus.
- Befestigen Sie den **FLASCHENHALTER** mit 2 **SCHRAUBEN (D)**.

Hinweis: Achten Sie darauf, dass Sie bei der Montage keine Kabel abklemmen.

# UPRIGHT BIKE AUFBAUSCHRITT 4



Comfort  
Upright  
Bike



## HARDWARE FÜR SCHRITT 4

	SCHRAUBE (E) M8 X 60 MM MENGE: 4		UNTERLEGSCHIEBE (B) Φ9 XΦ20 X 2.0T MM MENGE: 4
	SCHRAUBE (G) M8 X 15 MM MENGE: 2		MUTTER (H) M8 MENGE: 4

- A Öffnen Sie die **HARDWARE FÜR SCHRITT 4**.
- B Schieben Sie die **KONSOLEMASTHALTERUNG** von unten nach oben auf den **KONSOLEMAST**, sodass die kleine **POSITIONIERUNGSKERBE** nach vorne zeigt.
- C Befestigen Sie die **KONSOLEKABEL** und verstauen Sie sorgfältig alle Kabel im **HAUPTRAHMEN**. Schieben Sie den **KONSOLEMAST** in den **HAUPTRAHMEN**.
- D Befestigen Sie den **KONSOLEMAST** mit 2 **SCHRAUBEN (G)** von den Seiten sowie mit 4 **SCHRAUBEN (E)**, 4 **UNTERLEGSCHIEBEN (B)** und 4 **MUTTERN (H)**.
- E Schieben Sie die **KONSOLEMASTHALTERUNG** nach unten über den **HAUPTRAHMEN**.

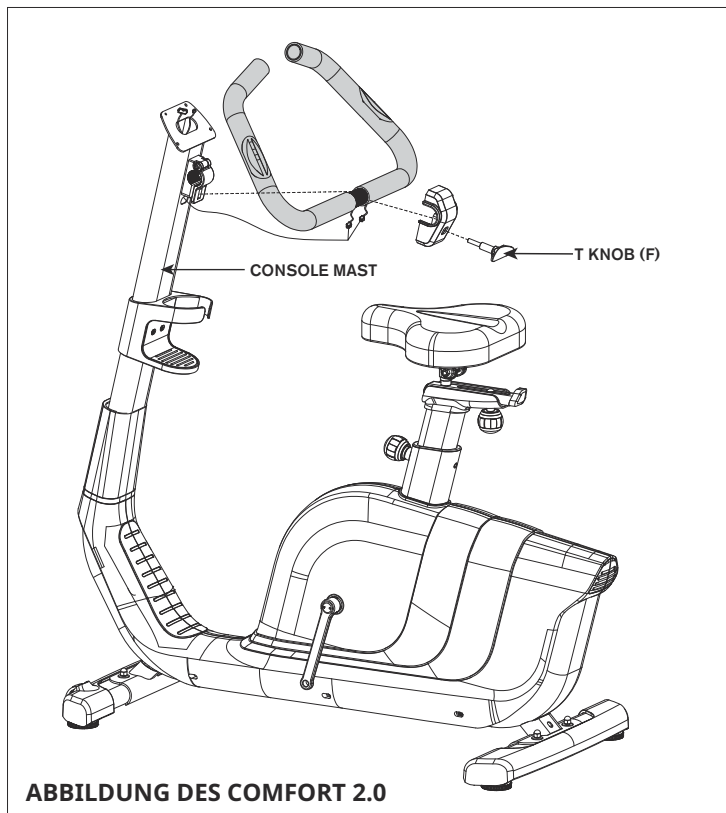
ABBILDUNG DES COMFORT 2.0



# UPRIGHT BIKE AUFBAUSCHRITT 5



Comfort  
Upright  
Bike



## HARDWARE FÜR SCHRITT 5

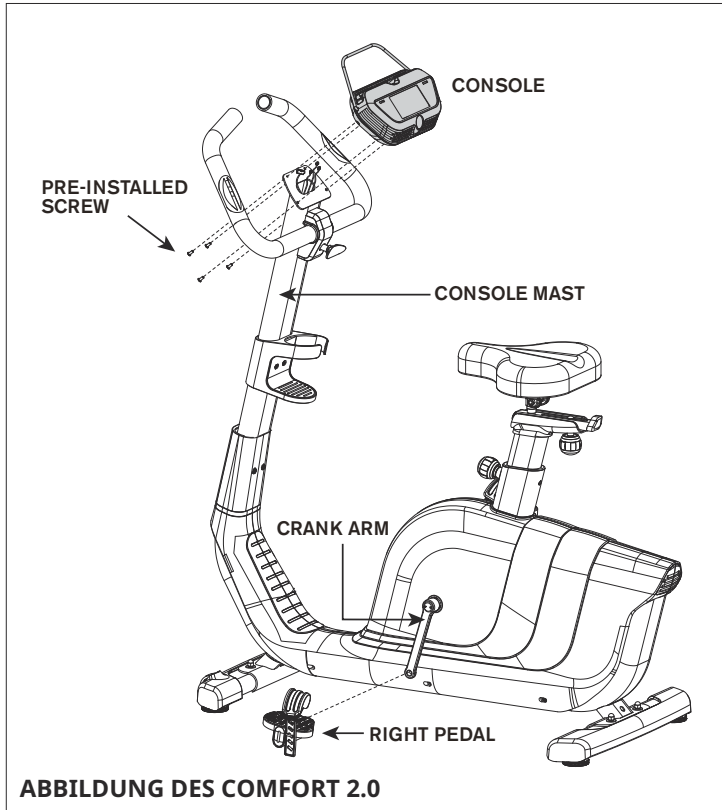


T-KNOPF (F)  
M8 X 64 X 32  
MENGE: 1

- A Öffnen Sie die **HARDWARE FÜR SCHRITT 5**.
- B Halten Sie die **HALTESTANGE** nahe am **KONSOLENMAST** und schieben Sie die **DRÄHTE DER HALTESTANGE** durch das Loch im **KONSOLENMAST** und oben aus dem **KONSOLENMAST** heraus.
- C Befestigen Sie die Haltestange am **KONSOLENMAST** mit 1 **T-KNOPF (F)**.

Hinweis: Möglicherweise benötigen Sie zusätzliche Hilfe, um das Herzfrequenzkabel zu verlegen und die Haltestange festzuziehen.

# UPRIGHT BIKE AUFBAUSCHRITT 6



Hinweis: Für diesen Schritt ist keine Hardware erforderlich.

- A Die **HARDWARE** ist vorinstalliert.
- B Befestigen Sie das **RECHTE PEDAL** am **RECHTEN PEDALARM** und ziehen Sie es im Uhrzeigersinn mit einem 13 mm/15 mm-Gabelschlüssel fest.
- C Befestigen Sie das **LINKE PEDAL** am **LINKEN PEDALARM** und ziehen Sie es gegen den Uhrzeigersinn mit einem 13 mm/15 mm-Gabelschlüssel fest. (HINWEIS: Der linke Pedalarm hat ein umgekehrtes Gewinde, daher ist es sehr wichtig, dass gegen den Uhrzeigersinn festgezogen wird. Wird in die falsche Richtung festgezogen, kann das Pedal, der Pedalarm oder beides beschädigt werden.)
- D Verbinden Sie das **KONSOLENKABEL** und verstauen Sie es sorgfältig im **KONSOLENMAST**.
- E Befestigen Sie die **KONSOLE** am **KONSOLENMAST** mit den 4 **VORINSTALLIERTEN SCHRAUBEN**.

Hinweis: Möglicherweise benötigen Sie einen 15 mm-Gabelschlüssel, um das Pedal zu installieren. Bitte achten Sie darauf, sich beim Zusammenbau nicht zu verletzen.



Comfort  
Upright  
Bike

## UPRIGHT BIKE AUFBAU



Comfort  
Upright  
Bike

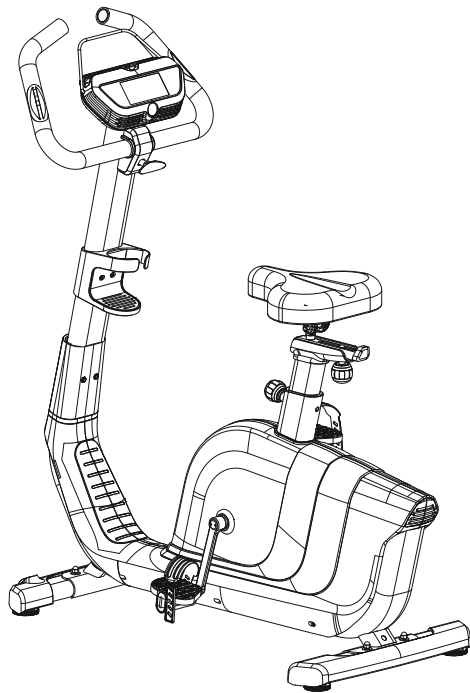


ABBILDUNG DES COMFORT 2.0

**AUFBAU ABGESCHLOSSEN!**

### **Comfort 2.0**

Gesamtabmessungen: 120 x 55 x 134 cm

Nettogewicht: 35,5 kg

Bruttogewicht: 41 kg

Max. Nutzergewicht: 136 kg

### **Comfort 4.0**

Gesamtabmessungen: 120 x 55 x 134 cm

Nettogewicht: 38 kg

Bruttogewicht: 43,5 kg

Max. Nutzergewicht: 136 kg

### **Comfort 8.1**

Gesamtabmessungen: 120 x 55 x 134 cm

Nettogewicht: 38 kg

Bruttogewicht: 43,5 kg

Max. Nutzergewicht: 136 kg

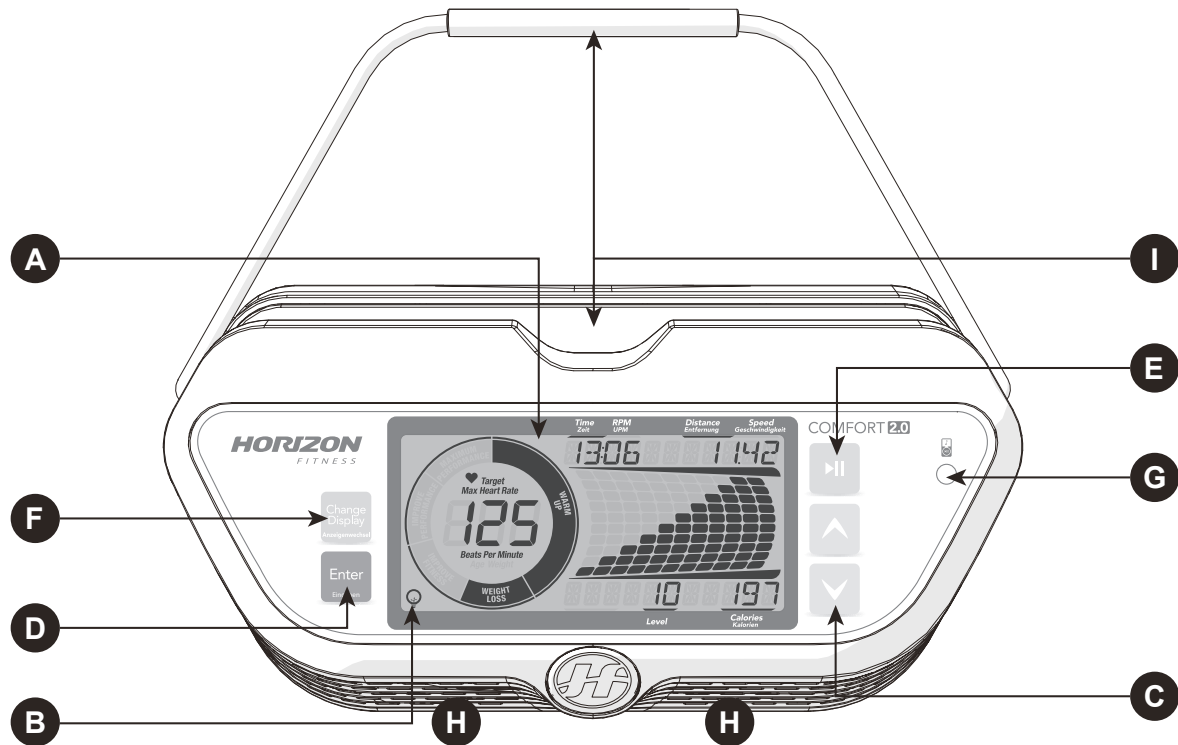
# BIKE OPERATION



In diesem Abschnitt werden Betrieb und Programmierung des Ergometers beschrieben.



Comfort  
2.0



## BEDIENUNG DER KONSOLE DES COMFORT 2.0

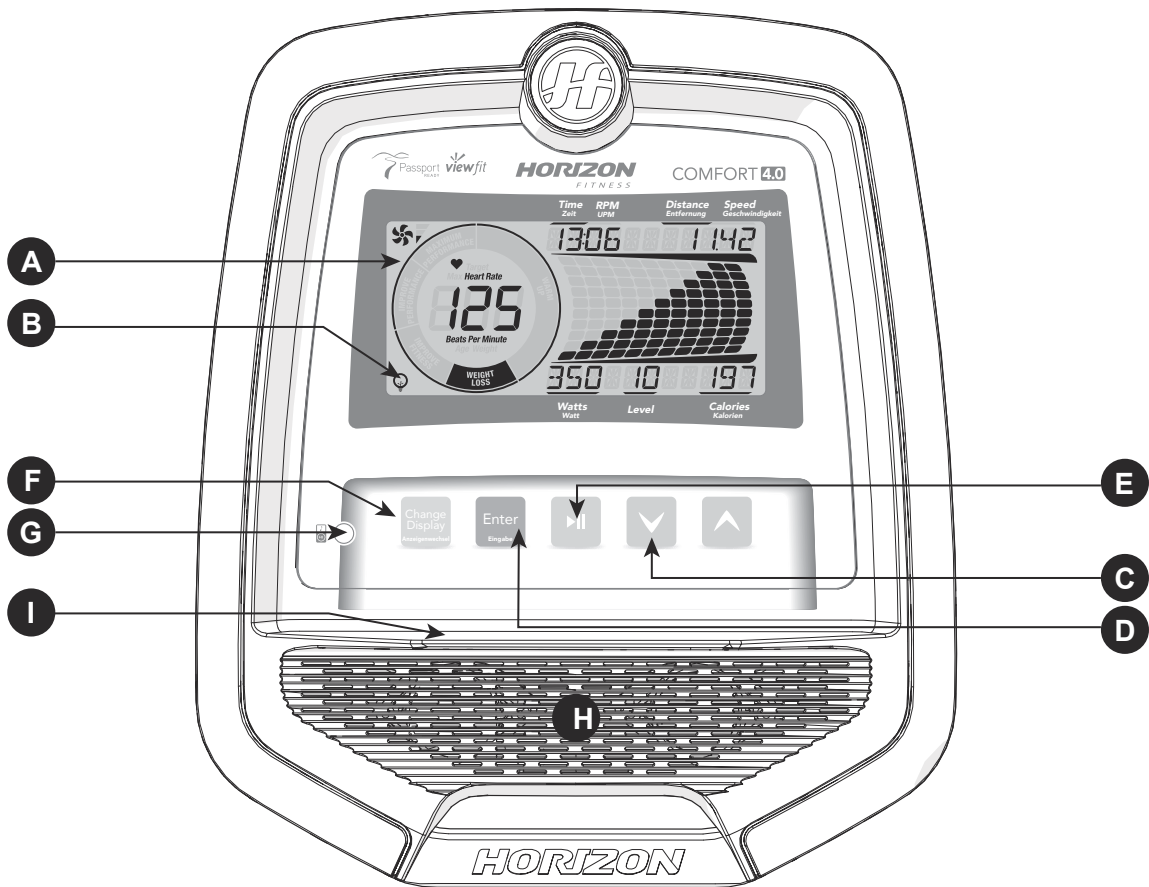
Hinweis: Die Konsolenoberfläche ist mit einer dünnen Schutzschicht aus durchsichtigem Plastik überzogen; diese Schicht muss vor der Benutzung abgenommen werden.

- A) **LCD-ANZEIGEFENSTER:** Zeit, Strecke, Kalorien, Geschwindigkeit, U/min, Widerstandsstufe, Herzfrequenz, Kalorien, HF-Rad, Trainingsprofil.
- B) **ENERGIESPARMODUS (ENERGY SAVER):** Um den Energieverbrauch zu minimieren, schaltet Ihr Gerät automatisch in den Energiesparmodus (nach 15 Minuten im Standby) und kann per Tastendruck schnell aufgeweckt werden.
- C) **▼ ▲ PFEILTASTEN:** Verwenden Sie die UP- und DOWN-Tasten, um ein Programm auszuwählen, Ihre Konsole einzurichten oder den Widerstand während des Trainings zu ändern.
- D) **EINGABE (ENTER):** Verwenden Sie die Eingabetaste, um Einstellungen am Trainingsprogramm oder Benutzerprofil zu bestätigen.
- E) **▶|| START & STOP:** Drücken Sie diese Taste, um mit dem Training zu beginnen oder um es nach einer Pause fortzusetzen. Halten Sie die Taste 3 Sekunden gedrückt, um die Konsole zurückzusetzen.
- F) **ANZEIGE WECHSELN (CHANGE DISPLAY):** Verwenden Sie diese Taste, um durch Anzeigemodi und Trainingsfeedback zu blättern. Sie können zwischen den Anzeigebereichen umschalten und zwischen dem Widerstandsprofil (oberer Balken) oder dem Wattprofil für Ihre aktuelle Trainingsleistung (unterer Balken) wechseln.
- G) **AUDIO-IN-BUCHSE:** Dient zum Anschluss an Ihr Mobiltelefon oder MP3-Player zum Abspielen Ihrer Trainingsmusik mit integriertem Lautsprecher.
- H) **LAUTSPRECHER:** Sie können Musik über die Lautsprecher abspielen, wenn ein Mediaplayer verbunden ist.
- I) **INTELLIGENTE GERÄTE- UND LESEHALTERUNG:** Zur Ablage Ihres Smartphones, Tablets oder Lesestoffs.





Comfort  
4.0



## BEDIENUNG DER KONSOLE DES COMFORT 4.0

Hinweis: Die Konsolenoberfläche ist mit einer dünnen Schutzschicht aus durchsichtigem Plastik überzogen; diese Schicht muss vor der Benutzung abgenommen werden.

- A) **LCD-ANZEIGEFENSTER:** Zeit, Strecke, Kalorien, Geschwindigkeit, U/min, Widerstandsstufe, Herzfrequenz, Watt, HF-Rad, Profil.
- B) **ENERGIESPARMODUS (ENERGY SAVER):** Um den Energieverbrauch zu minimieren, schaltet Ihr Gerät automatisch in den Energiesparmodus (nach 15 Minuten im Standby) und kann per Tastendruck schnell aufgeweckt werden.
- C) **▼ ▲ PFEILTASTEN:** Verwenden Sie die Nach oben- und Nach unten-Tasten, um ein Programm auszuwählen, Ihre Konsole einzurichten oder den Widerstand während des Trainings zu ändern.
- D) **EINGABE (ENTER):** Verwenden Sie die Eingabetaste, um Einstellungen am Trainingsprogramm oder Benutzerprofil zu bestätigen.
- E) **START & STOP:** Drücken Sie diese Taste, um mit dem Training zu beginnen oder um es nach einer Pause fortzusetzen. Halten Sie die Taste 3 Sekunden gedrückt, um die Konsole zurückzusetzen.
- F) **ANZEIGE WECHSELN (CHANGE DISPLAY):** Verwenden Sie diese Taste, um durch Anzeigemodi und Trainingsfeedback zu blättern. Sie können zwischen den Anzeigebereichen umschalten und zwischen dem Widerstandsprofil (oberer Balken) oder dem Wattprofil für Ihre aktuelle Trainingsleistung (unterer Balken) wechseln.

(Hinweis: Verwenden Sie die UP-Taste, um den Passport-Synchronisierungsprozess zu aktivieren; siehe Seite 50 für weitere Details).

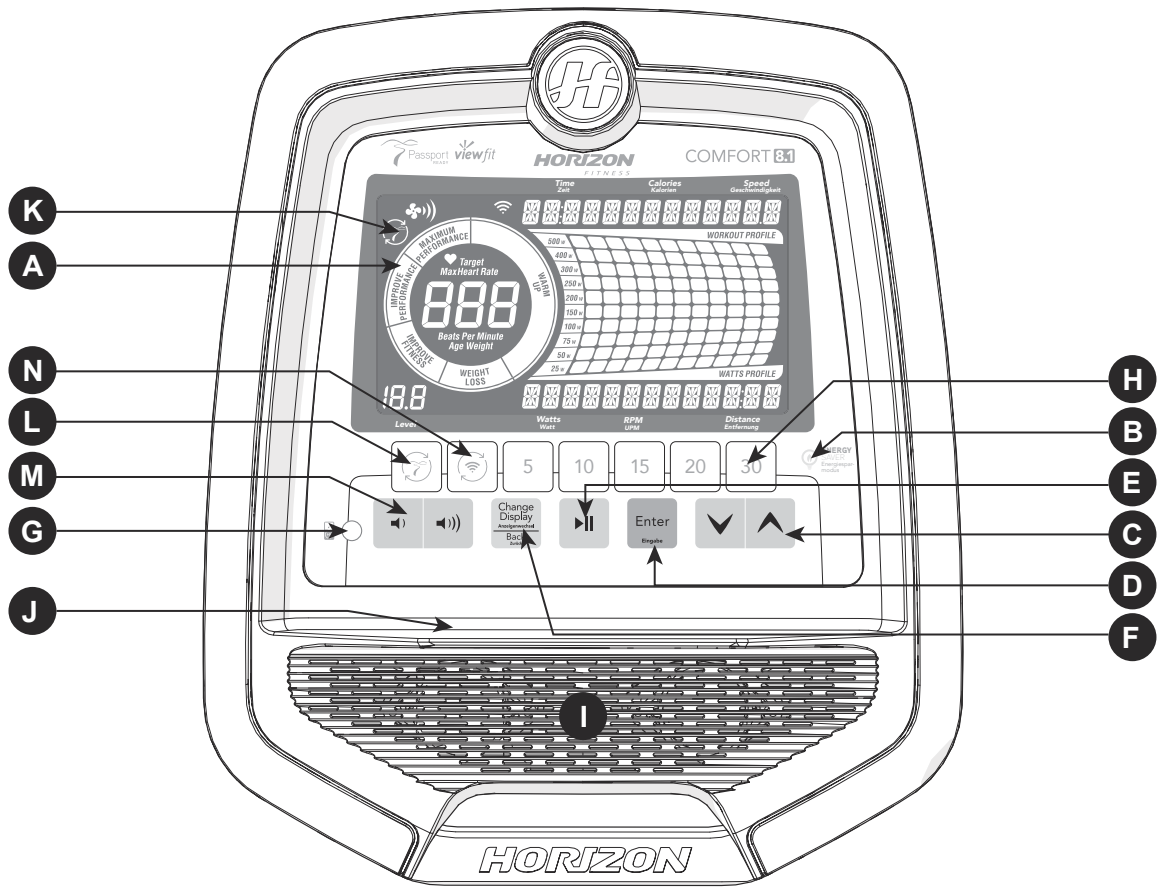
- G) **AUDIO-IN-BUCHSE:** Dient zum Anschluss an Ihr Mobiltelefon oder MP3-Player zum Abspielen Ihrer Trainingsmusik mit integriertem Lautsprecher.
- H) **LAUTSPRECHER:** Sie können Musik über die Lautsprecher abspielen, wenn ein Mediaplayer verbunden ist.
- I) **INTELLIGENTE GERÄTE- UND LESEHALTERUNG:** Zur Ablage Ihres Smartphones, Tablets oder Lesestoffs.







Comfort 8.1  
vorführen

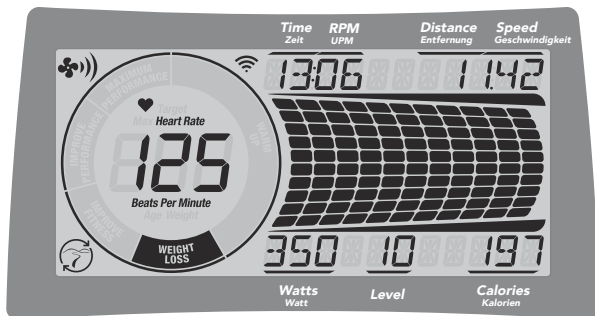


## BEDIENUNG DER KONSOLE DES COMFORT 8.1 / R8.0

Hinweis: Die Konsolenoberfläche ist mit einer dünnen Schutzschicht aus durchsichtigem Plastik überzogen; diese Schicht muss vor der Benutzung abgenommen werden.

- A) **LCD-ANZEIGEFENSTER:** Zeit, Strecke, Geschwindigkeit, U/min, Widerstandsstufen, Herzfrequenz, Kalorien, Watt, HF-Rad, Widerstandsprofil, Passport-Verbindung.
- B) **ENERGIESPARMODUS (ENERGY SAVER):** Um den Energieverbrauch zu minimieren, schaltet Ihr Gerät automatisch in den Energiesparmodus (nach 15 Minuten im Standby) und kann per Tastendruck schnell aufgeweckt werden.
- C) **▼ ▲ PFEILTASTEN:** Verwenden Sie die UP- und DOWN-Tasten, um ein Programm auszuwählen, Ihre Konsole einzurichten oder den Widerstand während des Trainings zu ändern.
- D) **EINGABE (ENTER):** Verwenden Sie die Eingabetaste, um Einstellungen am Trainingsprogramm oder Benutzerprofil zu bestätigen.
- E) **▶ || START & STOP:** Drücken Sie diese Taste, um mit dem Training zu beginnen oder um es nach einer Pause fortzusetzen. Halten Sie die Taste 3 Sekunden gedrückt, um die Konsole zurückzusetzen.
- F) **ANZEIGE WECHSELN / ZURÜCK (CHANGE DISPLAY / BACK):** Verwenden Sie diese Taste, um durch Anzeigemodi und Trainingsfeedback zu blättern. Sie können zwischen den Anzeigebereichen umschalten und zwischen dem Widerstandsprofil (oberer Balken) oder dem Wattprofil für Ihre aktuelle Trainingsleistung (unterer Balken) wechseln. Sie wird auch verwendet, um zurück zum Fortschritt der Benutzereinrichtung zu navigieren.
- G) **AUDIO-IN-BUCHSE:** Dient zum Anschluss an Ihr Mobiltelefon oder MP3-Player zum Abspielen Ihrer Trainingsmusik mit integriertem Lautsprecher.
- H) **WIDERSTAND-SCHNELLTASTE (RESISTANCE):** Verwenden Sie diese Taste, um den Trainingswiderstand zu ändern.
- I) **LAUTSPRECHER:** Sie können Musik über die Lautsprecher abspielen, wenn ein Mediaplayer verbunden ist.
- J) **INTELLIGENTE GERÄTE- UND LESEHALTERUNG:** Zur Ablage Ihres Smartphones, Tablets oder Lesestoffs.
- K) **PASSPORT:** Es wird auf dem Bildschirm angezeigt, wenn das Gerät mit Passport verbunden ist.
- L) **PASSPORT-SCHNELLTASTE:** Wird verwendet, um eine Verbindung mit Passport herzustellen. Drücken Sie die Taste und synchronisieren Sie mit Passport.
- M) **LAUTSTÄRKE:** Dient zum Erhöhen und Verringern der Lautstärke.
- N) **WLAN & SYNC & ZEITZONE (WI-FI CONNECT & SYNC & TIMEZONE):** Verwenden Sie diese Taste, um Ihre WLAN-Verbindung zurückzusetzen und zu verbinden und die Zeitzone einzustellen. Siehe Seite 36 für weitere Informationen.





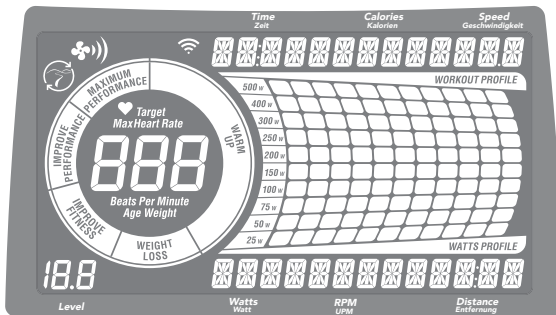
## ANZEIGEFENSTER

- **ZEIT (TIME):** Wird in Minuten : Sekunden angezeigt. Zeigt die verbleibende Zeit oder die bisher absolvierte Trainingsdauer an.
- **DREHZAHL (U/PM):** Umdrehungen pro Minute.
- **STRECKE (DISTANCE):** Wird in km angezeigt. Zeigt die bisher zurückgelegte bzw. die noch verbleibende Trainingsstrecke Ihres Trainings an.
- **GESCHWINDIGKEIT (SPEED):** Wird in km/h angezeigt. Gibt an, wie schnell sich die Räder bewegen.
- **WATT (NUR COMFORT 4.0):** Zeigt die aktuelle Benutzerleistung an. Ihre Trainingsleistung in Watt wird ebenfalls berechnet und als Punktmatrixprofil auf der rechten Seite angezeigt.
- **STUFE (LEVEL):** Zeigt den aktuellen Trainingswiderstand an.
- **KALORIEN (CALORIES):** Zeigt die bei Ihrem Training verbrannten Kalorien an.

- **HERZFREQUENZ (HEART RATE):** Dargestellt in Herzschlägen pro Minute bzw. BPM („beats per minute“). Wird zur Überwachung Ihrer Herzfrequenz verwendet.
- **MAXIMALE HERZFREQUENZ (MAXIMUM HEART RATE):** Zeigt Ihre maximale Herzfrequenz an. Die Taste ANZEIGE WECHSELN wechselt zwischen Ihrer MAXIMALEN HERZFREQUENZ und Ihrer aktuellen HERZFREQUENZ. Die MAXIMALE HERZFREQUENZ errechnet sich wie folgt:  $(220 - \text{Alter}) \times 0,85$ .
- **HERZFREQUENZRAD (HEART RATE WHEEL):** Zeigt Ihre aktuelle Aktivitätszone während Ihres Trainings an. Mit dem Herzfrequenzrad können Sie feststellen, ob Ihr Trainingsniveau zu Ihrem Trainingsziel passt.  
 AUFWÄRMEN: 0 – 60 % der maximalen Herzfrequenz.  
 GEWICHTSABNAHME: 60 – 70 % der maximalen Herzfrequenz.  
 FITNESS VERBESSERN: 70 – 80 % der maximalen Herzfrequenz.  
 LEISTUNG VERBESSERN: 80 – 90 % der maximalen Herzfrequenz.  
 MAXIMALE LEISTUNG: 90 – 90 % der maximalen Herzfrequenz.
- **ENERGIESPARMODUS (ENERGY SAVER):** Zeigt an, wenn sich das Gerät im Energiesparmodus befindet, um Energie zu sparen (siehe Seite 51 für weitere Informationen).
- **PASSPORT (NUR COMFORT 4.0):** Zeigt an, wenn sich das Gerät im Passport-Modus befindet, um mit Passport zu synchronisieren.



## COMFORT 8.1 / R8.0 DISPLAYS



### ANZEIGEFENSTER

- **ZEIT (TIME):** Wird in Minuten : Sekunden angezeigt. Zeigt die verbleibende Zeit oder die bisher absolvierte Trainingsdauer an.
- **DREHZAHL (U/PM):** Umdrehungen pro Minute.
- **STRECKE (DISTANCE):** Wird in km angezeigt. Zeigt die bisher zurückgelegte bzw. die noch verbleibende Trainingsstrecke Ihres Trainings an.
- **GESCHWINDIGKEIT (SPEED):** Wird in km/h angezeigt. Gibt an, wie schnell sich die Räder bewegen.
- **WATT (WATTS):** Zeigt die aktuelle Benutzerleistung an.
- **STUFE (LEVEL):** Zeigt den aktuellen Trainingswiderstand an.
- **KALORIEN (CALORIES):** Zeigt die bei Ihrem Training verbrannten Kalorien an.
- **HERZFREQUENZ (HEART RATE):** Dargestellt in Herzschläge pro Minute bzw. BPM („beats per minute“). Wird zur Überwachung Ihrer Herzfrequenz verwendet.
- **MAXIMALE HERZFREQUENZ (MAXIMUM HEART RATE):** Zeigt Ihre maximale Herzfrequenz an. Die Taste ANZEIGE WECHSELN wechselt zwischen Ihrer MAXIMALEN HERZFREQUENZ und Ihrer aktuellen HERZFREQUENZ. Die MAXIMALE HERZFREQUENZ errechnet sich wie folgt:  $(220 - \text{Alter}) \times 0,85$ .
- **HERZFREQUENZRAD (HEART RATE WHEEL):** Zeigt Ihre aktuelle Aktivitätszone während Ihres Trainings an. Mit diesem Herzfrequenzrad können Sie feststellen, ob Ihr Trainingsniveau zu Ihrem Trainingsziel passt.
  - AUFWÄRMEN: 0 – 60 % der maximalen Herzfrequenz.
  - GEWICHTSABNAHME: 60 – 70 % der maximalen Herzfrequenz.
  - FITNESS VERBESSERN: 70 – 80 % der maximalen Herzfrequenz.
  - LEISTUNG VERBESSERN: 80 – 90 % der maximalen Herzfrequenz.
  - MAXIMALE LEISTUNG: 90 – 90 % der maximalen Herzfrequenz.
- **WATT-SKALA UND PROFILANZEIGE:** Hier wird Ihr aktuelles Training in Watt angezeigt, z. B. leuchtet der 50-W-Punkt auf, wenn 25-50 Watt erreicht oder ausgewählt werden. Mit der Taste ANZEIGE ÄNDERN können Sie wieder zur Anzeige des Trainingsprofils wechseln. Hinweis: Die Skala zeigt nur bis zu 400 Watt in den Wattprogrammen an, um Ihren Zielwattbereich von 25 – 400 Watt widerzuspiegeln.
- **ENERGIESPARMODUS (ENERGY SAVER):** Zeigt an, wenn sich das Gerät im Energiesparmodus befindet, um Energie zu sparen (siehe Seite 51 für weitere Informationen).
- **PASSPORT:** Zeigt an, wenn sich das Gerät im Passport-Modus befindet, um mit Passport zu synchronisieren.
- **WLAN (WI-FI):** Zeigt an, dass eine drahtlose Verbindung vorhanden ist sowie deren Stärke (niedrig, mittel, hoch).



Comfort  
8.1 / R8.0




## XID-KONTO FÜR VIEWFIT CONNECTIVITY EINRICHTEN

Wenn Sie ein xID-Konto erstellen, können Sie Trainingsdaten unter **viewfit.com** online speichern und weitergeben. Bis zu vier Benutzer können auf einem Gerät gespeichert werden. Dieser Vorgang ist der erste Schritt zum Verbinden Ihrer Geräte. Sie muss von einem Computer, Tablet oder Mobilgerät aus durchgeführt werden.

- 1) Besuchen Sie die Webseite: **viewfit.com**
- 2) Auf der Webseite wählen Sie IHR GERÄT VERBINDEN im Menü.
- 3) Der erste Schritt beim Verbinden Ihres Geräts ist die Erstellung eines xID-Kontos. Sie benötigen dies, um sich bei ViewFit einzuwählen.
- 4) Geben Sie Ihre Telefonnummer oder eine andere leicht zu merkende 10- bis 14-stellige Nummer ein. Dies wird Ihre Kontonummer sein.
- 5) Geben Sie die erforderlichen Profilinformationen an, um die Einrichtung des xID-Kontos abzuschließen. Sie werden gebeten, eine E-Mail-Adresse anzugeben, die nicht mit einem anderen xID-Konto verknüpft ist. Nach dem Einrichtungsvorgang erhalten Sie eine E-Mail mit einem Link zur Validierung Ihres Kontos.

## MIT WLAN VERBINDEN

Sobald Sie Ihr xID-Konto erstellt haben, können Sie mit der Aktivierung von WLAN auf Ihren Geräten fortfahren. Zur Erinnerung: Dazu benötigen Sie Ihren Computer, Ihr Tablet oder Ihr mobiles Gerät, das mit dem Internet verbunden ist.

- 6) Halten Sie die Taste  3 bis 5 Sekunden gedrückt, und verwenden Sie die UP-/DOWN-Taste, um Ihre Zeitzone einzustellen. Den Zeitzonencode finden Sie auf der letzten Seite. Nachdem Sie die Eingabetaste gedrückt haben, zeigt der Bildschirm eine Nachricht zur Aktivierung an.
- 7) Öffnen Sie auf Ihrem Computer oder Mobilgerät die WLAN-Einstellungen. Wählen Sie das „ViewFit“-Netzwerk. Auf diese Weise können Sie Ihre Geräte mit Ihrem drahtlosen Netzwerk verbinden.
- 8) Es öffnet sich ein neues Fenster mit einer Liste der drahtlosen Netzwerke, die Ihre Geräte sehen können. Wählen Sie Ihr WLAN-Heimnetzwerk aus und stellen Sie eine Verbindung her.
- 9) Der verbleibende Schritt besteht darin, Ihren Computer oder Mobilgerät wieder mit Ihrem WLAN-Netzwerk zu verbinden. Öffnen Sie wieder Ihre Einstellungen und stellen Sie die Verbindung wie gewohnt her.

Herzlichen Glückwunsch! Sie sind jetzt verbunden und bereit, mit dem Training zu beginnen.

## ERSTE SCHRITTE

### SCHNELLSTART

- 1) Stellen Sie sicher, dass die Stromversorgung eingeschaltet ist.
- 2) Drücken Sie START / STOP, ►|| um das Training im manuellen Modus zu starten.
- 3) Drücken Sie ▲ ▼, um den Widerstand während des Trainings anzupassen.

### TRAINING STARTEN

- 1) Wählen sie Gast / Benutzer1 / Benutzer2 / Benutzer3 / Benutzer4 (Guest / User1 / User2 / User3 / User4).
- 2) Wählen Sie das gewünschte Programm.
- 3) Wählen Sie Ihr Geschlecht (nur für das Fit-Test-Programm erforderlich).
- 4) Wählen Sie Programmeinstellungen, Zeit, Stufe, usw.
- 5) Drücken Sie Start/Stop, ►|| um Ihr Training zu starten.

## UM DIE AUSWAHL ODER DIE KONSOLE ZURÜCKZUSETZEN,

halten Sie START/STOP ►|| 3 Sekunden lang gedrückt.



## ABSCHLIESSEN IHRES TRAININGS

Nach Abschluss des Trainings stoppt der Fahrradtrainer und gibt einen Piepton aus. Sie können das Gerät nun von der Stromversorgung trennen; anderenfalls wechselt es nach 15 Minuten in den Energiesparmodus.



## PROGRAMMINFORMATIONEN

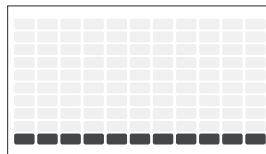
**Comfort 2.0:** 11 Programme (Manuell / Intervalle / Game / Gewichtsabnahme / Ausdauer / Trittfrequenz / Zufall / ZHF-Bereich / % ZHF / Benutzerdefiniert 1 / Benutzerdefiniert 2)

**Comfort 4.0:** 14 Programme (Konstante Wattzahl, Manuell / Intervalle / Game / Fitnesstest / Gewichtsabnahme / Gewichtsabnahme Plus / Ausdauer / Trittfrequenz / Zufall / ZHF-Bereich / % ZHF / Benutzerdefiniert 1 / Benutzerdefiniert 2)

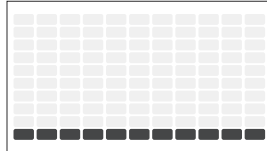
**Comfort 8.1:** 16 Programme (Konstante Watt / Intervall-Watt / Manuell / Intervalle / Game / Fitnesstest / Gewichtsabnahme / Gewichtsabnahme Plus / Ausdauer / Trittfrequenz / Zufall / ZHF-Bereich / % ZHF / Kraftaufbau / Benutzerdefiniert 1 / Benutzerdefiniert 2)

**Comfort R8.0:** 16 Programme (Konstante Watt / Intervall-Watt / Manuell / Intervalle / Game / Fitnesstest / Gewichtsabnahme / Gewichtsabnahme Plus / Ausdauer / Trittfrequenz / Zufall / ZHF-Zone / % ZHF / Kraftaufbau / Benutzerdefiniert 1 / Benutzerdefiniert 2)

**1) MANUELL (MANUAL):** Erlaubt Ihnen die individuelle Einstellung des Widerstands ohne ein voreingestelltes Programm. Sie stellen den Widerstand während des Trainings manuell ein. Zeit und Widerstand werden mit den UP-/DOWN-Tasten und der EINGABETASTE eingestellt.



2) **INTERVALLE:** Verbessert Ihre Kraft, Geschwindigkeit und Ausdauer, indem der Widerstand während des gesamten Trainings erhöht und gesenkt wird, um sowohl Ihr Herz als auch Ihre Muskeln zu trainieren. Zeitbasiertes Programm mit 16 auswählbaren Stufen. Zeit und Widerstand werden mit den UP-/DOWN-Tasten und der EINGABETASTE eingestellt.



(Comfort 2.0)

INTERVALLE																						
	Aufwärmen				Programmsegmente - Wiederholen												Entspannungsphase					
Sekunden	60	60	60	60	30	60	60	30	30	60	30	60	60	30	60	60	15	16	17	18	19	20
Segment	1	2	3	4	5	6	7	8	9	10	11	12	13	14	15	16	17	18	19	20		
Stufe 1	1	2	2	3	5	1	1	5	5	1	5	1	1	5	5	1	3	2	2	1		
Stufe 2	1	2	2	3	6	2	2	6	6	2	6	2	2	6	6	2	3	2	2	1		
Stufe 3	1	2	2	4	7	3	3	7	7	3	7	3	3	7	7	3	4	2	2	1		
Stufe 4	1	2	2	5	8	4	4	8	8	4	8	4	4	8	8	4	5	2	2	1		
Stufe 5	2	3	5	6	9	5	5	9	9	5	9	5	5	9	9	5	6	5	3	2		
Stufe 6	2	3	5	7	10	6	6	10	10	6	10	6	6	10	10	6	7	5	3	2		
Stufe 7	2	3	5	8	11	7	7	11	11	7	11	7	7	11	11	7	8	5	3	2		
Stufe 8	2	3	5	9	12	8	8	12	12	8	12	8	8	12	12	8	9	5	3	2		
Stufe 9	3	4	5	10	13	9	9	13	13	9	13	9	9	13	13	9	10	5	4	3		
Stufe 10	3	4	8	11	14	10	10	14	14	10	14	10	10	14	14	10	11	8	4	3		
Level 11	3	6	10	12	15	11	11	15	15	11	15	11	11	15	15	11	12	10	6	3		
Level 12	3	6	10	13	16	12	12	16	16	12	16	12	12	16	16	12	13	10	6	3		

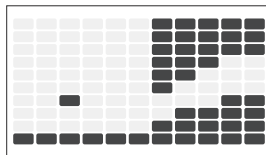
INTERVALLE																						
	Aufwärmen				Programmsegmente - Wiederholen												Entspannungsphase					
Sekunden	60	60	60	60	30	60	60	30	30	60	30	60	60	30	60	60	15	16	17	18	19	20
Segment	1	2	3	4	5	6	7	8	9	10	11	12	13	14	15	16	17	18	19	20		
Stufe 1	1	3	3	4	7	1	1	7	7	1	7	1	1	7	7	1	4	3	3	1		
Stufe 2	1	3	3	4	9	3	3	9	9	3	9	3	3	9	9	3	4	3	3	1		
Stufe 3	1	3	3	6	10	4	4	10	10	4	10	4	4	10	10	4	6	3	3	1		
Stufe 4	1	3	3	7	12	6	6	12	12	6	12	6	6	12	12	6	7	3	3	1		
Stufe 5	3	4	7	9	13	7	7	13	13	7	13	7	7	13	13	7	9	7	4	3		
Stufe 6	3	4	7	10	15	9	9	15	15	9	15	9	9	15	15	9	10	7	4	3		
Stufe 7	3	4	7	12	16	10	10	16	16	10	16	10	10	16	16	10	12	7	4	3		
Stufe 8	3	4	7	13	18	12	12	18	18	12	18	12	12	18	18	12	13	7	4	3		
Stufe 9	4	6	7	15	19	13	13	19	19	13	19	13	13	19	19	13	15	7	6	4		
Stufe 10	4	6	12	16	21	15	15	21	21	15	21	15	15	21	21	15	16	12	6	4		
Level 11	4	9	15	18	22	16	16	22	22	16	22	16	16	22	22	16	18	15	9	4		
Level 12	4	9	15	19	24	18	18	24	24	18	24	18	18	24	24	18	19	15	9	4		
Level 13	7	13	19	21	25	19	19	25	25	19	25	19	19	25	25	19	21	19	13	7		
Level 14	7	13	19	22	27	21	21	27	27	21	27	21	21	27	27	21	22	19	13	7		
Level 15	7	13	19	24	28	22	22	28	28	22	28	22	22	28	28	22	24	19	13	7		
Level 16	7	13	19	25	30	24	24	30	30	24	30	24	24	30	30	24	25	19	13	7		

(Comfort 4.0, 8.1, R8.0)

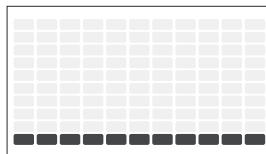




- 3) **GAME:** Dieses Aufwärmtraining simuliert ein Autorennen. Um das Auto nach oben oder nach unten zu steuern, treten Sie schneller oder langsamer in die Pedale. Versuchen Sie, Hindernisse zu umfahren und auf Kurs zu bleiben. Ihre verbleibenden Chancen werden auf der oberen LCD-Anzeige mit 10 Punkten angezeigt, und jedes Mal, wenn Sie ein Hindernis treffen, wird ein Punkt entfernt. Sie haben nur 11 Chancen, die Strecke zu absolvieren, seien Sie also vorsichtig.

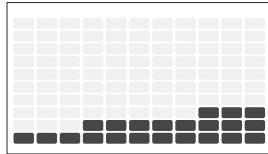


- 4) **FITNESSTEST:** Testen Sie Ihre aktuelle körperliche Verfassung. Halten Sie Ihre U/min während des Tests zwischen 60 und 80; das Programm ändert den Widerstand während des Tests automatisch anhand eines eingebetteten Diagramms. Versuchen Sie, Ihre U/min zu halten, bis sie nicht mehr können. Die Konsole sieht in der Tabelle nach und gibt Ihnen eine Einschätzung Ihrer aktuellen körperlichen Fitness.



Punktzahlen	Ergebnisse
1-4	Ungenügend
5-6	Ausreichend
7-8	Durchschnittlich
9-10	Gut
>10	Ausgezeichnet

**5) GEWICHTSABNAHME (WEIGHT LOSS):** Fördert die Gewichtsabnahme, indem der Widerstand erhöht oder verringert wird, während Sie im Trainingsbereich der Fettverbrennung verbleiben. Zeitbasiertes Programm mit 16 auswählbaren Stufen. Zeit und Widerstand werden mit den Nach oben-/Nach unten-Tasten und der EINGABETASTE eingestellt. Trinken Sie während und nach dem Training genügend Wasser, um die Ergebnisse der Gewichtsabnahme zu verbessern.



(Comfort 2.0)

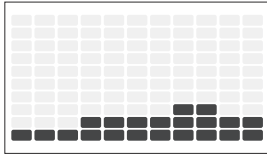
GEWICHTSABNAHME																				
	Aufwärmen				Programmsegmente - Wiederholen												Entspannungsphase			
Sekunden	60	60	60	60	60	60	60	60	60	60	60	60	60	60	60	60	60	60	60	60
Segment	1	2	3	4	5	6	7	8	9	10	11	12	13	14	15	16	17	18	19	20
Stufe 1	1	2	2	3	3	3	4	4	5	5	5	5	4	4	3	3	3	2	2	1
Stufe 2	1	2	2	3	4	4	5	5	6	6	6	6	5	4	4	3	2	2	1	1
Stufe 3	1	2	2	4	5	5	6	6	7	7	7	7	6	6	5	5	4	2	2	1
Stufe 4	1	2	2	5	6	6	7	7	8	8	8	8	7	7	6	6	5	2	2	1
Stufe 5	2	3	5	6	7	7	8	8	9	9	9	9	8	8	7	7	6	5	3	2
Stufe 6	2	3	5	7	8	8	9	9	10	10	10	10	9	9	8	8	7	5	3	2
Stufe 7	2	3	5	8	9	9	10	10	11	11	11	11	10	10	9	9	8	5	3	2
Stufe 8	2	3	5	9	10	10	11	11	12	12	12	12	11	11	10	10	9	5	3	2
Stufe 9	3	4	5	10	11	11	12	12	13	13	13	13	12	12	11	11	10	5	4	3
Stufe 10	3	4	8	11	12	12	13	13	14	14	14	14	13	13	12	12	11	8	4	3
Level 11	3	6	10	12	13	13	14	14	15	15	15	15	14	14	13	13	12	10	6	3
Level 12	3	6	10	13	14	14	15	15	16	16	16	16	15	15	14	14	13	10	6	3

GEWICHTSABNAHME																				
	Aufwärmen				Programmsegmente - Wiederholen												Entspannungsphase			
Sekunden	60	60	60	60	60	60	60	60	60	60	60	60	60	60	60	60	60	60	60	60
Segment	1	2	3	4	5	6	7	8	9	10	11	12	13	14	15	16	17	18	19	20
Stufe 1	1	3	3	4	4	4	6	6	7	7	7	7	6	6	4	4	4	3	3	1
Stufe 2	1	3	3	4	6	6	7	7	9	9	9	9	7	7	6	6	4	3	3	1
Stufe 3	1	3	3	6	7	7	9	9	10	10	10	10	9	9	7	7	6	3	3	1
Stufe 4	1	3	3	7	9	9	10	10	12	12	12	12	10	10	9	9	7	3	3	1
Stufe 5	3	4	7	9	10	10	12	12	13	13	13	13	12	12	10	10	9	7	4	3
Stufe 6	3	4	7	10	12	12	13	13	15	15	15	15	13	13	12	12	10	7	4	3
Stufe 7	3	4	7	12	13	13	15	15	16	16	16	16	15	15	13	13	12	7	4	3
Stufe 8	3	4	7	13	15	15	16	16	18	18	18	18	16	16	15	15	13	7	4	3
Stufe 9	4	6	7	15	16	16	18	18	19	19	19	19	18	18	16	16	15	7	6	4
Stufe 10	4	6	12	16	18	18	19	19	21	21	21	21	19	19	18	18	16	12	6	4
Level 11	4	9	15	18	19	19	21	21	22	22	22	22	21	21	19	19	18	15	9	4
Level 12	4	9	15	19	21	21	22	22	24	24	24	24	22	22	21	21	19	15	9	4
Level 13	7	13	19	21	22	22	24	24	25	25	25	25	24	24	22	22	21	19	13	7
Level 14	7	13	19	22	24	24	25	25	27	27	27	27	25	25	24	24	22	19	13	7
Level 15	7	13	19	24	25	25	27	27	28	28	28	28	27	27	25	25	24	19	13	7
Level 16	7	13	19	25	27	27	28	28	30	30	30	30	28	28	27	27	25	19	13	7

(Comfort 4.0, 8.1, R8.0)



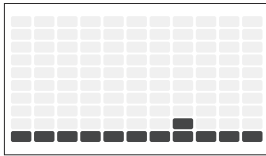
**6) GEWICHTSABNAHME PLUS (WEIGHT LOSS PLUS):** Dieses Programm fördert die Gewichtsabnahme, indem der Widerstand erhöht oder verringert wird, während Sie im Trainingsbereich der Fettverbrennung verbleiben. Zeitbasiertes Programm mit 15 auswählbaren Stufen und höherer Intensität als das normale Gewichtsabnahmeprogramm. Zeit und Widerstand werden mit den UP-/DOWN-Tasten und der EINGABETASTE eingestellt. Trinken Sie während und nach dem Training genügend Wasser, um die Ergebnisse der Gewichtsabnahme zu verbessern.



(Comfort 4.0, 8.1, R8.0)

GEWICHTSABNAHME PLUS																				
	Aufwärmen				Programmsegmente – Wiederholen												Abwärmen			
Sekunden	60	60	60	60	60	60	60	60	60	60	60	60	60	60	60	60	60	60	60	60
Segment	1	2	3	4	5	6	7	8	9	10	11	12	13	14	15	16	17	18	19	20
Stufe 1	1	3	3	4	6	4	6	7	7	4	6	9	9	7	6	4	4	3	3	1
Stufe 2	3	4	4	4	7	6	7	9	9	6	7	10	10	9	7	6	4	4	4	3
Stufe 3	3	4	6	6	9	7	9	10	10	7	9	12	12	10	9	7	6	6	4	3
Stufe 4	3	6	6	7	10	9	10	12	12	9	10	13	13	12	10	9	7	6	6	3
Stufe 5	4	6	7	9	12	10	12	13	13	10	12	15	15	13	12	10	9	7	6	4
Stufe 6	4	7	9	9	13	12	13	15	15	12	13	16	16	15	13	12	9	9	7	4
Stufe 7	6	9	10	10	15	13	15	16	16	13	15	18	18	16	15	13	10	10	9	6
Stufe 8	6	9	10	12	16	15	16	18	18	15	16	19	19	18	16	15	12	10	9	6
Stufe 9	6	10	12	13	18	16	18	19	19	16	18	21	21	19	18	16	13	12	10	6
Stufe 10	7	10	13	13	19	18	19	21	21	18	19	22	22	21	19	18	13	13	10	7
Level 11	7	12	13	15	21	19	21	22	22	19	21	24	24	22	21	19	15	13	12	7
Level 12	9	13	15	16	22	21	22	24	24	21	22	25	25	24	22	21	16	15	13	9
Level 13	9	13	16	18	24	22	24	25	25	22	24	27	27	25	24	22	18	16	13	9
Level 14	9	15	16	18	25	24	25	27	27	24	25	28	28	27	25	24	18	16	15	9
Level 15	10	15	18	19	27	25	27	28	28	25	27	30	30	28	27	25	19	18	15	10

7) **AUSDAUER (ROLLING):** Hält das Gewicht durch schrittweises Anheben und Senken des Widerstands aufrecht, um Ihre Herzfrequenz allmählich zu erhöhen und zu senken.



(Comfort 2.0)

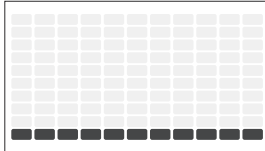
AUSDAUER																		
	Aufwärmen				Programmsegmente										Abwärmen			
Sekunden	60	60	60	60	30	30	30	30	30	30	30	30	30	30	30	30	30	30
Segment	1	2	3	4	5	6	7	8	9	10	11	12	13	14	15	16	17	18
Stufe 1	1	1	2	2	1	2	3	4	3	2	1	2	3	2	1	1	1	1
Stufe 2	1	2	2	3	2	3	4	5	4	3	2	1	2	3	2	1	1	1
Stufe 3	2	2	3	3	3	4	5	6	7	8	7	6	5	4	2	1	1	1
Stufe 4	2	3	3	4	4	5	6	7	8	9	8	7	6	5	3	1	1	1
Stufe 5	3	4	4	4	5	6	7	8	9	10	9	8	7	6	3	3	2	1
Stufe 6	3	5	4	5	6	7	8	9	10	10	10	9	8	7	4	3	2	1
Stufe 7	4	5	5	5	7	7	8	8	9	9	10	10	9	8	4	3	2	1
Stufe 8	4	5	5	5	8	8	9	9	10	10	11	11	10	9	4	3	2	1
Stufe 9	4	5	5	5	9	9	10	10	11	11	12	12	11	10	5	4	3	1
Stufe 10	4	5	6	6	10	10	11	11	12	12	13	13	12	11	6	5	4	1
Level 11	4	5	7	7	11	11	12	12	13	13	14	14	13	12	6	5	4	1
Level 12	4	5	8	8	12	12	13	13	14	14	15	15	14	13	7	6	5	1
Level 13	4	5	9	9	13	13	14	14	15	15	16	16	15	14	7	6	5	1
Level 14	4	5	9	9	14	14	15	15	16	16	17	17	16	15	8	7	6	1

AUSDAUER																		
	Aufwärmen				Programmsegmente										Abwärmen			
Sekunden	60	60	60	60	30	30	30	30	30	30	30	30	30	30	60	60	60	60
Segment	1	3	4	6	7	9	10	12	13	15	16	18	19	21	22	24	25	27
Stufe 1	1	1	3	3	1	3	4	6	4	3	1	3	4	3	1	1	1	1
Stufe 2	1	3	3	4	3	4	6	7	6	4	3	1	3	4	3	1	1	1
Stufe 3	3	3	4	4	4	6	7	9	10	12	10	9	7	6	3	1	1	1
Stufe 4	3	4	4	6	6	7	9	10	12	13	12	10	9	7	4	1	1	1
Stufe 5	4	6	6	6	7	9	10	12	13	15	13	12	10	9	4	4	3	1
Stufe 6	4	7	6	7	9	10	12	13	15	15	15	13	12	10	6	4	3	1
Stufe 7	6	7	7	7	10	10	12	12	13	13	15	15	13	12	6	4	3	1
Stufe 8	6	7	7	7	12	12	13	13	15	15	16	16	15	13	6	4	3	1
Stufe 9	6	7	7	7	13	13	15	15	16	16	18	18	16	15	7	6	4	1
Stufe 10	6	7	9	9	15	15	16	16	18	18	19	19	18	16	9	7	6	1
Level 11	6	7	10	10	16	16	18	18	19	19	21	21	19	18	9	7	6	1
Level 12	6	7	12	12	18	18	19	19	21	21	22	22	21	19	10	9	7	1
Level 13	6	7	13	13	19	19	21	21	22	22	24	24	22	21	10	9	7	1
Level 14	6	7	13	13	21	21	22	22	24	24	25	25	24	22	12	10	9	1

(Comfort 4.0, 8.1, R8.0)



8) **KADENZ (CADENCE):** Spezielles Fahrradtrainingsprogramm zum Aufbau und zur Steigerung der Ausdauer. Dieses Programm erhöht allmählich den Widerstand und fordert Sie auf, mit niedriger (L), mittlerer (M) oder hoher (H) Geschwindigkeit zu treten, um Ihr Fitnessziel zu erreichen.



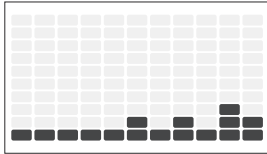
(Comfort 2.0)

TRITTFREQUENZ																					
	Aufwärmen				L	M	L	H	M	L	H	M	L	H	M	L	Entspannungsphase				
Sekunden	60	60	60	60	90	45	90	30	45	90	30	45	90	30	45	90	60	60	60	60	
Segment	1	2	3	4	5	6	7	8	9	10	11	12	13	14	15	16	17	18	19	20	
Stufe 1	2	1	1	2	3	2	3	1	2	3	1	2	3	1	2	3	2	1	1	1	
Stufe 2	1	1	1	2	4	3	4	2	3	4	2	3	4	2	3	4	2	1	1	1	
Stufe 3	1	1	1	2	5	4	5	3	4	5	3	4	5	3	4	5	2	1	1	1	
Stufe 4	1	1	1	3	6	5	6	4	5	6	4	5	6	4	5	6	3	1	1	1	
Stufe 5	1	2	3	3	7	6	7	5	6	7	5	6	7	5	6	7	3	3	2	1	
Stufe 6	1	2	3	4	8	7	8	6	7	8	6	7	8	6	7	8	4	3	2	1	
Stufe 7	1	2	3	4	9	8	9	7	8	9	7	8	9	7	8	9	4	3	2	1	
Stufe 8	1	2	3	5	10	9	10	8	9	10	8	9	10	8	9	10	5	3	2	1	
Stufe 9	1	1	1	2	11	10	11	9	10	11	9	10	11	9	10	11	2	1	1	1	
Stufe 10	1	1	1	2	12	11	12	10	11	12	10	11	12	10	11	12	2	1	1	1	
Level 11	2	2	2	3	13	12	13	11	12	13	11	12	13	11	12	13	2	1	1	1	
Level 12	3	3	3	4	14	13	14	12	13	14	12	13	14	12	13	14	3	1	1	1	
Level 13	3	4	4	5	15	14	15	13	14	15	13	14	15	13	14	15	3	3	2	1	
Level 14	3	4	5	6	16	15	16	14	15	16	14	15	16	14	15	16	4	3	2	1	

TRITTFREQUENZ																					
	Aufwärmen				L	M	L	H	M	L	H	M	L	H	M	L	Entspannungsphase				
Sekunden	60	60	60	60	90	45	90	30	45	90	30	45	90	30	45	90	60	60	60	60	
Segment	1	2	3	4	5	6	7	8	9	10	11	12	13	14	15	16	17	18	19	20	
Stufe 1	3	1	1	3	4	3	4	1	3	4	1	3	4	1	3	4	3	1	1	1	
Stufe 2	1	1	1	3	6	4	6	3	4	6	3	4	6	3	4	6	3	1	1	1	
Stufe 3	1	1	1	3	7	6	7	4	6	7	4	6	7	4	6	7	3	1	1	1	
Stufe 4	1	1	1	4	9	7	9	6	7	9	6	7	9	6	7	9	4	1	1	1	
Stufe 5	1	3	4	4	10	9	10	7	9	10	7	9	10	7	9	10	4	4	3	1	
Stufe 6	1	3	4	6	12	10	12	9	10	12	9	10	12	9	10	12	6	4	3	1	
Stufe 7	1	3	4	6	13	12	13	10	12	13	10	12	13	10	12	13	6	4	3	1	
Stufe 8	1	3	4	7	15	13	15	12	13	15	12	13	15	12	13	15	7	4	3	1	
Stufe 9	1	1	1	3	16	15	16	13	15	16	13	15	16	13	15	16	3	1	1	1	
Stufe 10	1	1	1	3	18	16	18	15	16	18	15	16	18	15	16	18	3	1	1	1	
Level 11	3	3	3	4	19	18	19	16	18	19	16	18	19	16	18	19	3	1	1	1	
Level 12	4	4	4	6	21	19	21	18	19	21	18	19	21	18	19	21	4	1	1	1	
Level 13	4	6	6	7	22	21	22	19	21	22	19	21	22	19	21	22	4	4	3	1	
Level 14	4	6	7	9	24	22	24	21	22	24	21	22	24	21	22	24	6	4	3	1	
Level 15	4	7	9	10	25	24	25	22	24	25	22	24	25	22	24	25	6	4	3	1	
Level 16	6	9	10	12	27	25	27	24	25	27	24	25	27	24	25	27	7	4	3	1	

(Comfort 4.0, 8.1, R8.0)

9) **ZUFALL (RANDOM):** Ein speziell entwickeltes, diagrammbasiertes Programm, das die zufällige Veränderung des Widerstands simuliert.



(Comfort 2.0)

		ZUFALL																	
		Aufwärmen						Programmsegmente						Abwärmen					
Sekunden	Segment	60	60	60	60	60	60	60	60	60	60	60	60	60	60	60	60	60	60
	Stufe 1	1	2	3	4	5	6	7	8	9	10	11	12	13	14	15	16	17	18
	Stufe 2	1	2	2	3	2	4	6	3	5	8	3	4	7	2	2	1	1	1
	Stufe 3	2	2	3	3	3	5	7	4	6	9	4	5	8	3	2	1	1	1
	Stufe 4	2	3	3	4	4	6	8	5	7	10	5	6	9	4	3	1	1	1
	Stufe 5	3	4	4	4	5	7	9	6	8	11	6	7	10	5	3	3	2	1
	Stufe 6	3	5	4	5	6	8	10	7	9	12	7	8	11	6	4	3	2	1
	Stufe 7	4	5	5	5	7	9	11	8	10	13	8	9	12	7	4	3	2	1
	Stufe 8	4	5	5	5	8	10	12	9	11	14	9	10	13	8	4	3	2	1
	Stufe 9	4	5	5	5	9	11	13	10	12	15	10	11	14	9	5	4	3	1
	Stufe 10	4	5	6	6	10	12	14	11	13	16	11	12	15	10	5	4	3	1

		ZUFALL																	
		Aufwärmen						Programmsegmente						Abwärmen					
Sekunden	Segment	60	60	60	60	60	60	60	60	60	60	60	60	60	60	60	60	60	
	Stufe 1	1	1	3	3	1	4	7	3	6	10	3	4	9	1	1	1	1	1
	Stufe 2	1	3	3	4	3	6	9	4	7	12	4	6	10	3	3	1	1	1
	Stufe 3	3	3	4	4	4	7	10	6	9	13	6	7	12	4	3	1	1	1
	Stufe 4	3	4	4	6	6	9	12	7	10	15	7	9	13	6	4	1	1	1
	Stufe 5	4	6	6	6	7	10	13	9	12	16	9	10	15	7	4	4	3	1
	Stufe 6	4	7	6	7	9	12	15	10	13	18	10	12	16	9	6	4	3	1
	Stufe 7	6	7	7	7	10	13	16	12	15	19	12	13	18	10	6	4	3	1
	Stufe 8	6	7	7	7	12	15	18	13	16	21	13	15	19	12	6	4	3	1
	Stufe 9	6	7	7	7	13	16	19	15	18	22	15	16	21	13	7	6	4	1
	Stufe 10	6	7	9	9	15	18	21	16	19	24	16	18	22	15	7	6	4	1
	Level 11	6	7	10	10	16	19	22	18	21	25	18	19	24	16	9	7	6	1
	Level 12	6	7	12	12	18	21	24	19	22	27	19	21	25	18	9	7	6	1
	Level 13	6	7	13	13	19	22	25	21	24	28	21	22	27	19	10	9	7	1
	Level 14	6	7	13	13	21	24	27	22	25	30	22	24	28	21	10	9	7	1

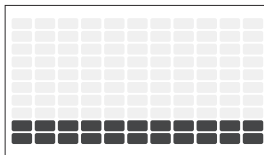
(Comfort 4.0, 8.1, R8.0)





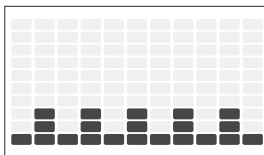
**10) KONSTANTE WATT (CONSTANT WATT):** Dieses Programm passt den Widerstand automatisch an, um Sie innerhalb eines festgelegten Wattbereichs zu halten und die gewünschte Trainingsintensität beizubehalten.

- 1) Wählen Sie Konstante Watt mit der Taste ▲▼ und drücken Sie die EINGABETASTE.
- 2) Stellen Sie die Zeit mit der Taste ▲▼ ein und drücken Sie die EINGABETASTE.
- 3) Wählen Sie die gewünschte Wattzahl mit der Taste ▲▼ und drücken Sie die EINGABETASTE.
- 4) Drücken Sie START ►||, um das Programm zu starten.



**11) INTERVALL-WATT:** Hiermit können Sie einen hohen und einen niedrigen Wattwert einstellen. Das Intervallprogramm wechselt zwischen den hohen und niedrigen Wattwerten, was ein sehr intensives und effektives Training ermöglicht.

- 1) Wählen Sie Konstante Watt und drücken Sie die Eingabetaste.
- 2) Stellen Sie die Zeit ein und drücken Sie die Eingabetaste.
- 3) Wählen Sie die gewünschte niedrige Wattzahl aus und drücken Sie die Eingabetaste.
- 4) Wählen Sie die gewünschte hohe Wattzahl aus und drücken Sie die Eingabetaste.
- 5) Drücken Sie START ►||, um das Programm zu starten.

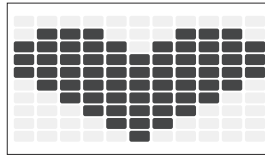


Hinweis: Das Wattprogramm basiert auf U/min. Der Widerstand ändert sich automatisch in Abhängigkeit Ihrer Trittschwindigkeit und stellt sicher, dass Ihr Training innerhalb der Zielwattzahl bleibt. Treten Sie weder zu langsam noch zu schnell in die Pedale. Wenn Sie sich außerhalb des Zielbereichs befinden, zeigt die LCD-Anzeige neben der U/min-Spalte ein Pfeilsymbol an, das Sie auffordert, Ihre Geschwindigkeit anzupassen. Der Nach oben-Pfeil bedeutet, dass Sie schneller treten müssen, beim Nach unten-Pfeil sollten sie langsamer werden.

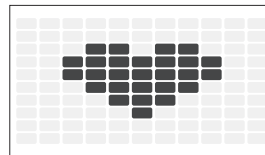


**12) ZHF-BEREICH (THR ZONE):** Simuliert die Intensität Ihrer Lieblingssportart, indem sich der Programmwiderstand automatisch anpasst, um einen festgelegten Zielherzfrequenzbereich beizubehalten. (Es empfiehlt sich, mit diesem Programm einen Herzfrequenz-Brustgurt zu tragen. Sie können einen solchen Gurt separat bei Ihrem Händler erwerben.)

- 1) Wählen Sie ZHF-Bereich mit der Taste ▲ ▼ und drücken Sie die EINGABETASTE.
- 2) Stellen Sie die Zeit mit der Taste ▲ ▼ ein und drücken Sie die EINGABETASTE.
- 3) Im Herzfrequenzfenster blinkt und zeigt die standardmäßige Herzfrequenz von 80 Schlägen pro Minute an. Wählen Sie die Zielherzfrequenz (aus der Herzfrequenz-Trainingstabelle) mit der Taste ▲ ▼ und drücken Sie die EINGABETASTE.
- 4) Drücken Sie START, ▶|| um das Training zu starten.



**13)% ZHF (% THR):** Begünstigt die Gewichtsabnahme, indem ein optimales Trainingsniveau zur Fettverbrennung beibehalten wird, während der Widerstand so angepasst wird, dass Sie in Ihrem Zielherzfrequenzbereich bleiben. Geben Sie zunächst Ihre persönlichen Daten ein (Ihr Gerät berechnet automatisch Ihre maximale Trainingsherzfrequenz) und wählen Sie den Prozentsatz aus, mit dem Sie auf der Grundlage Ihrer maximalen

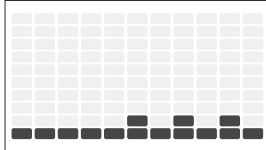


Hinweis: Das Herzfrequenzprogramm basiert auf Ihrer Zielherzfrequenz. Der Widerstand ändert sich automatisch in Abhängigkeit Ihrer Trittgeschwindigkeit und stellt sicher, dass Ihr Training innerhalb der Zielherzfrequenz bleibt. Treten Sie weder zu langsam noch zu schnell in die Pedale. Wenn Sie sich außerhalb des Zielbereichs befinden, zeigt die LCD-Anzeige neben der U/min-Spalte ein Pfeilsymbol an, das Sie auffordert, Ihre Geschwindigkeit anzupassen. Der Nach oben-Pfeil bedeutet, dass Sie schneller treten müssen, beim Nach unten-Pfeil sollten sie langsamer werden. Herzfrequenz trainieren möchten. (Es empfiehlt sich, mit diesem Programm einen Herzfrequenz-Brustgurt zu tragen. Sie können einen solchen Gurt separat bei Ihrem Händler erwerben.)





**14) KRAFTAUFBAU (STRENGTH BUILDER):** Steigern Sie schrittweise Ihre Muskelkraft mit einem voreingestellten Trainingsprogramm. Zeitbasiertes Programm mit 20 auswählbaren Stufen. Zeit und Widerstand werden mit den UP-/DOWN-Tasten und der EINGABETASTE eingestellt.



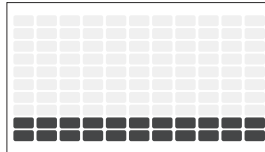
KRAFTAUFBAU:																				
	Aufwärmen				Programmsegmente – Wiederholen												Abwärmen			
Sekunden	60	60	60	60	60	60	60	60	60	60	60	60	60	60	60	60	60	60	60	
Segment	1	2	3	4	5	6	7	8	9	10	11	12	13	14	15	16	17	18	19	20
Stufe 1	1	1	3	3	1	4	1	4	1	4	1	4	1	4	1	4	3	3	1	1
Stufe 2	1	1	3	3	3	4	3	6	3	4	3	6	3	4	3	6	3	3	1	1
Stufe 3	1	1	3	3	4	4	3	4	4	3	4	4	3	4	4	3	3	3	1	1
Stufe 4	1	3	3	4	6	6	3	6	6	3	6	6	3	6	6	3	4	3	3	1
Stufe 5	3	4	4	4	4	7	4	7	4	7	4	7	4	7	4	7	4	4	4	3
Stufe 6	3	4	6	6	6	9	6	9	6	9	6	9	6	9	6	9	6	6	4	3
Stufe 7	4	6	7	9	9	12	7	12	9	10	7	12	9	10	7	12	9	7	6	4
Stufe 8	4	6	7	9	12	12	9	12	12	9	12	12	9	12	12	9	9	7	6	4
Stufe 9	6	9	10	10	12	15	12	15	12	15	12	15	12	15	12	15	12	10	9	6
Stufe 10	6	9	10	10	15	15	12	15	15	12	15	15	12	15	15	12	10	10	9	6
Level 11	6	10	12	13	15	18	15	18	15	18	15	18	15	18	15	18	13	12	10	6
Level 12	6	10	12	13	18	18	15	18	18	15	18	18	15	18	18	15	13	12	10	6
Level 13	7	12	13	15	18	21	18	21	18	21	18	21	18	21	18	21	15	13	12	7
Level 14	7	12	13	15	21	21	18	21	21	18	21	21	18	21	21	18	15	13	12	7
Level 15	9	13	16	18	21	24	21	24	21	24	21	24	21	24	21	24	18	16	13	9
Level 16	9	13	16	18	24	24	21	24	24	21	24	24	21	24	24	21	18	16	13	9
Level 17	9	15	16	18	25	25	22	25	25	22	25	25	22	25	25	22	18	16	15	9
Level 18	10	15	18	19	27	27	24	27	27	24	27	27	24	27	27	24	19	18	15	10
Level 19	10	16	19	21	28	28	25	28	28	25	28	28	25	28	28	25	21	19	16	10
Level 20	12	18	21	22	30	30	25	30	30	25	30	30	25	30	30	25	22	21	18	12

(Comfort 4.0, 8.1, R8.0)



**15) BENUTZERDEFINIERT 1 & 2 (CUSTOM 1 & 2)** Benutzerdefiniertes Training mit der Voreinstellung von 15 Minuten.  
(Comfort 3 verfügt nicht über Benutzerdefiniert 2)

- 1) Öffnen Sie die Programmeinstellung. Die Profilanzeige führt Sie durch die Trainingsbereiche.
- 2) Verwenden Sie die UP- und DOWN-Tasten, um den Widerstand zu ändern, und drücken Sie zur Bestätigung die EINGABETASTE. Die Konsole zeigt Ihre aktuelle Segmentnummer an und führt Sie durch Segment 1 bis 15.
- 3) Nachdem Sie alle Einstellungen vorgenommen haben, drücken Sie **START ►||**, um zu beginnen.



**HERZFREQUENZTRAINING**

Um die richtige Intensität für Ihr Training zu finden, müssen Sie Ihre maximale Herzfrequenz ermitteln (max. HF = 220 – Alter). Diese auf dem Alter basierte Methode bietet einen ungefähren Durchschnittswert, der auf den Großteil aller Personen und vor allem auf solche zutrifft, die gerade mit dem Herzfrequenztraining begonnen haben. Der genaueste Weg zur Bestimmung Ihrer individuellen maximalen Herzfrequenz besteht darin, bei einem Kardiologen oder Trainingsphysiologen einen klinischen Maximalbelastungstest durchführen zu lassen. Wenn Sie über 40 Jahre alt, übergewichtig und/oder seit einigen Jahren untrainiert sind oder in Ihrer Familie Herzkrankheiten aufgetreten sind, empfiehlt sich ein klinischer Test. Der folgenden Tabelle entnehmen Sie Beispiele für den Herzfrequenzbereich einer 30 Jahre alten Person, die mit 5 verschiedenen Herzfrequenzbereichen trainiert. Beispiel: Die maximale Herzfrequenz einer 30 Jahre alten Person lautet  $220 - 30 = 190$  bpm. Das ergibt für 90 % der max. HF einen Wert von  $190 \times 0,9 = 171$  bpm.


Zielherzfrequenzbereich	Trainingsdauer	Beispiel: ZHF-Bereich (Alter: 30)	Ihr ZHF-Bereich	Empfohlen für
<b>SEHR HART</b> 90 - 100 %	< 5 MIN	171 - 190 BPM		Für trainierte Personen und athletisches Training
<b>HART</b> 80 - 90 %	2 - 10 MIN	152 - 171 BPM		Kürzere Trainingseinheiten
<b>MODERAT</b> 70 - 80 %	10 - 40 MIN	133 - 152 BPM		Gemäßigte Trainingseinheiten
<b>LEICHT</b> 60 - 70 %	40 - 80 MIN	114 - 133 BPM		Lange und wiederholte, kurze Trainingseinheiten
<b>SEHR LEICHT</b> 50 - 60 %	20 - 40 MIN	104 - 114 BPM		Gewichtsmangement und aktive Erholung

## VERWENDUNG IHRES MEDIAPLAYERS



- 1) Schließen Sie das im Lieferumfang enthaltene AUDIOADAPTERKABEL an der AUDIO-IN-BUCHSE an der Konsole an und verbinden Sie es mit dem Kopfhöreranschluss Ihres Mediaplayers.
- 2) Verwenden Sie die Tasten Ihres Mediaplayers, um Einstellungen und Lautstärke anzupassen.
- 3) Entfernen Sie das AUDIOADAPTERKABEL, wenn Sie es nicht benötigen.

## ERGOMETER MIT PASSPORT SYNCHRONISIEREN (COMFORT 2.0 IST NICHT ENTHALTEN)

- 1) Blättern Sie mit der Pfeiltaste auf der Passport-Fernbedienung zum Setup-Symbol und drücken Sie die Auswahlstaste.
- 2) Folgen Sie den Anweisungen auf dem Bildschirm und halten Sie  auf der Gerätekonsole 3-5 Sekunden lang gedrückt.
- 3) Sobald Sie erfolgreich synchronisiert haben, wechselt die Benachrichtigungsanzeige des Ergometers von RF SYNC zu PASSPORT READY.
- 4) Die auf dem Bildschirm angezeigte Meldung informiert Sie darüber, ob die Synchronisierung erfolgreich war oder fehlgeschlagen ist.



## ENERGIESPARMODUS

Dieses Gerät verfügt über einen Energiesparmodus. Bei aktiviertem Energiesparmodus wechselt die Anzeige nach 15 Minuten Nichtbenutzung automatisch in den Standby-Modus (Energiesparmodus). Diese Funktion spart Energie, da ein Großteil der Stromversorgung des Geräts deaktiviert wird, bis Sie wieder eine Taste auf der Konsole betätigen. Sie können diese Funktion über das Engineering-Menü ein- und ausschalten.



## **ENGINEERING-MODUS:**

Um dieses Menü zu aktivieren, halten Sie die Taste ▲ und ▼ für eine Dauer von 3-5 Sekunden gedrückt.

### **ZWISCHEN BRITISCHEM UND METRISCHEM MODUS WECHSELN**

Verwenden Sie die Pfeiltasten ▲ und ▼, um zu Eng2 zu navigieren und drücken Sie die Eingabetaste. Verwenden Sie die Eingabetaste, um zu P1 zu navigieren. Verwenden Sie die Pfeiltasten ▲ und ▼, um zwischen STANDARD (BRITISCH) und METRISCH zu wechseln.

### **ANZEIGESPRACHE WECHSELN**

Verwenden Sie die Pfeiltasten ▲ und ▼, um zu Eng2 zu navigieren und drücken Sie die Eingabetaste. Verwenden Sie die Eingabetaste, um zu P2 zu navigieren. Drücken Sie die EINGABETASTE, um den Sprachmodus auszuwählen und wählen Sie die gewünschte Sprache mit den Pfeiltasten aus.

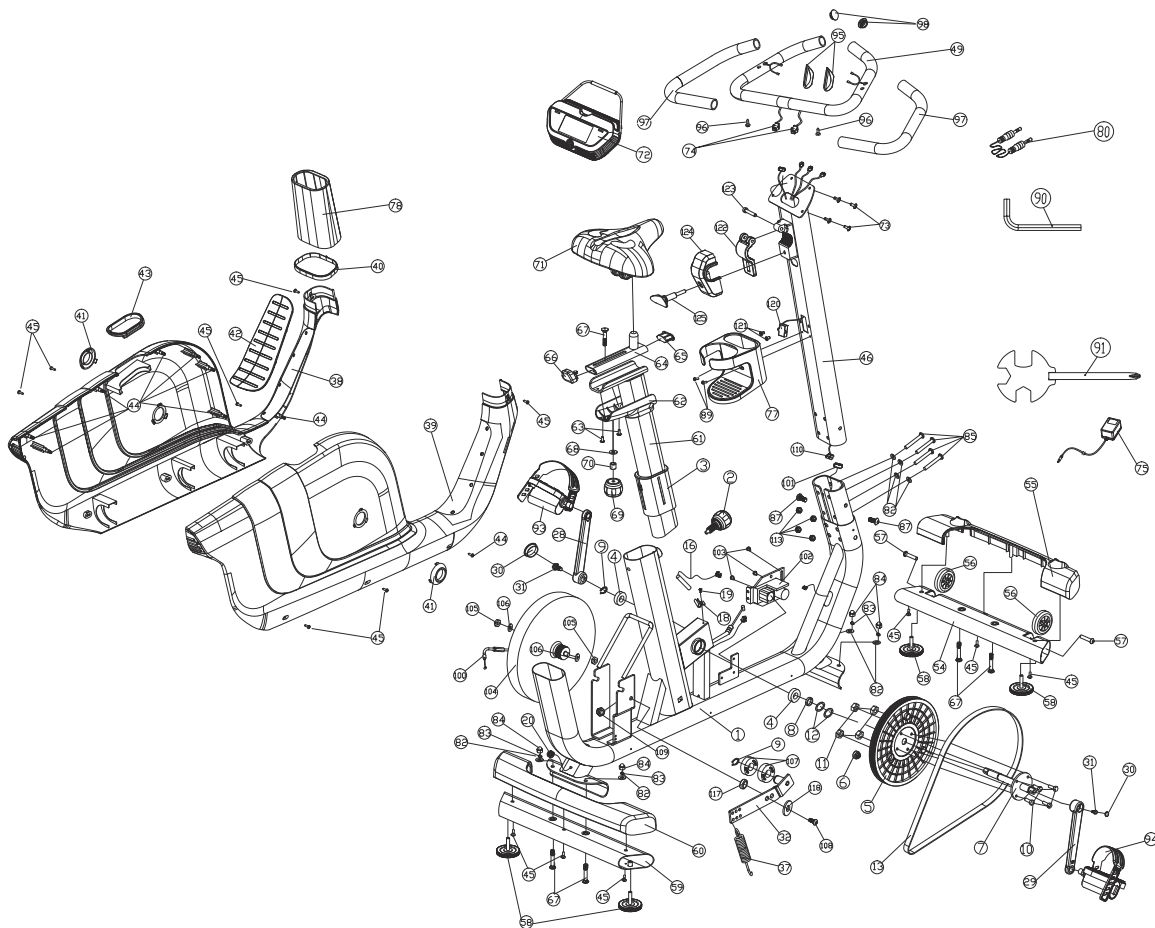
Halten Sie die Taste STOP ►|| für eine Dauer von 3-5 Sekunden gedrückt, um ENG2 zu beenden. Halten Sie die Taste STOP ►|| erneut für eine Dauer von 3-5 Sekunden gedrückt, um das Engineering-Menü zu beenden.

### **ENERGIESPARFUNKTION EIN- UND AUSSCHALTEN**

Verwenden Sie die Pfeiltasten ▲ und ▼, um zu Eng2 zu navigieren und drücken Sie die Eingabetaste. Verwenden Sie die Eingabetaste, um zu P5 zu navigieren.

Drücken Sie die EINGABETASTE, um den Energiesparmodus auszuwählen, und verwenden Sie die Pfeiltasten ▲ und ▼, um den Energiesparmodus zu aktivieren oder zu deaktivieren (ENRGY SAVE ON oder OFF). Halten Sie die Taste STOP ►|| für eine Dauer von 3-5 Sekunden gedrückt, um ENG2 zu beenden. Halten Sie die Taste STOP ►|| erneut für eine Dauer von 3-5 Sekunden gedrückt, um das Engineering-Menü zu beenden.

# COMFORT 2.0 EXPLOSIONSANSICHT



## COMFORT 2.0 TEILELISTE

NR.	BESCHREIBUNG	MENGE
1	MAIN FRAME	1
2	POP-PIN	1
3	INNER BUSHING	1
4	BEARING	2
5	DRIVE PULLEY	1
6	MAGNET	1
7	TRANSMISSION SHAFT	1
8	SPACER	1
9	C-CLIP	1
9	C-CLIP	1
10	ALLEN HEX SCREW	4
11	NYLON NUT	4
12	WAVE WASHER	2
13	BELT	1
16	SENSOR CABLE	1
18	ROUND SENSOR FIXING PLASTIC	1
19	ROUND HEAD PHILIPS DRILLING SELF TAPPING	1
20	POWER CORD	1
28	LEFT CRANK	1
29	RIGHT CRANK	1
30	CRANK COVER	2
31	HEX FLANGE SCREW	2
32	IDLE WHEEL FIXING PLATE	1
37	IDLE WHEEL FLEXING SPRING	1
38	LEFT SHROUD	1

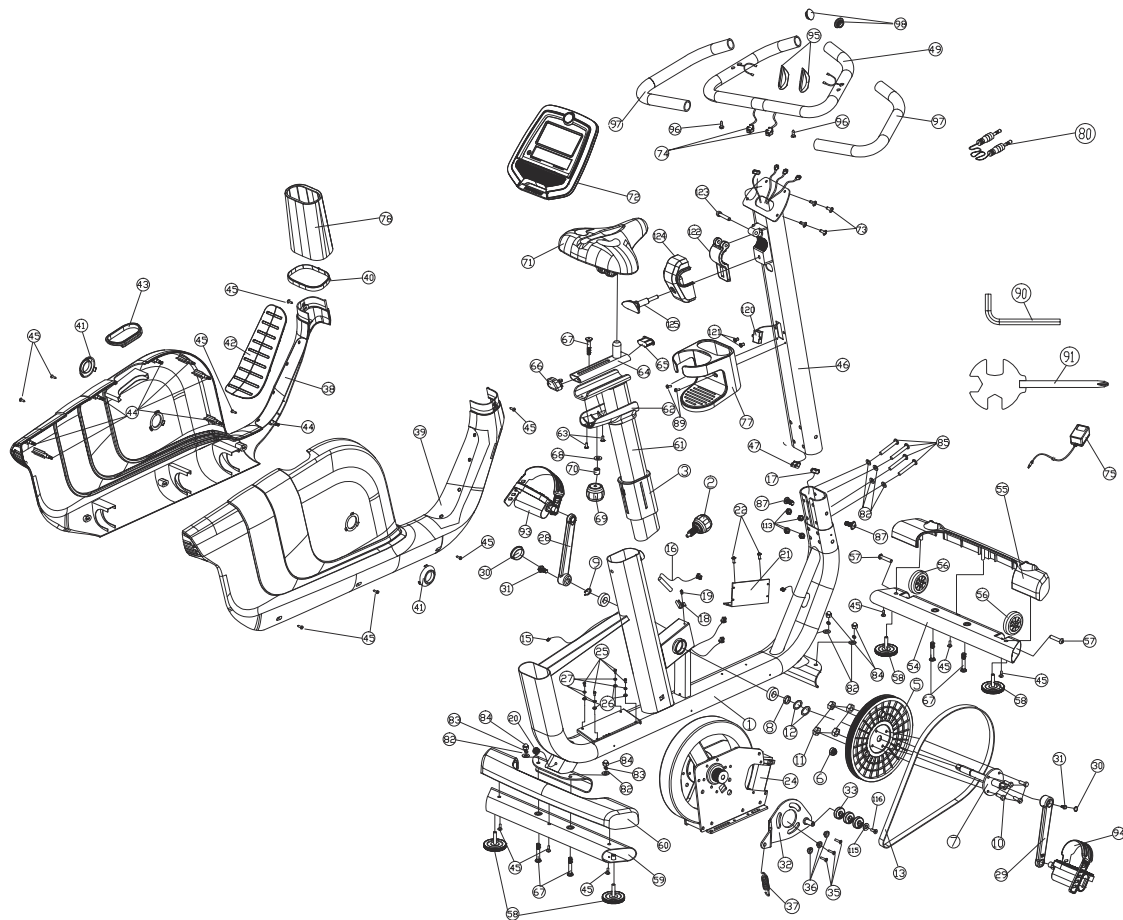
NR.	BESCHREIBUNG	MENGE
39	RIGHT SHROUD	1
40	CONSOLE MAST DECORATIVE RING	1
41	CRANK DECORATIVE RING	2
42	RUBBER STEP-THROUGH PAD	1
43	SEAT POST SUPPORT TUBE PAD	1
44	CLIP	8
45	TRUSS PHILIPS SELF TAPPING SCREW	14
46	CONSOLE MAST	1
54	FRONT STABILIZER	1
55	FRONT STABILIZER COVER	1
56	TRANSPORTATION WHEEL	2
57	TRUSS HEX SCREW	2
58	LEVELER	4
59	REAR STABILIZER	1
60	REAR STABILIZER COVER	1
61	SEAT POST	1
62	SEAT POST COVER	1
63	ROUND HEAD PHILIPS SCREW	2
64	SEAT SUPPORTING SHAFT	1
65	END CAP	1
66	TOWEL HOOK	1
67	CARRIAGE SCREW	9
68	FLAT WASHER	1
69	KNOB	1
70	SPACER	1

## COMFORT 2.0 TEILELISTE

NR.	BESCHREIBUNG	MENGE
71	SEAT PAD	1
72	CONSOLE	1
73	TRUSS PHILIPS SCREW	4
74	HAND GRIP HR SENSOR CABLE	2
75	POWER ADAPTOR	1
77	BOTTLE HOLDER B	1
78	CONSOLE MAST GROMMET	1
80	AUDIO CABLE	1
82	FLAT WASHER	20
83	SPRING WASHER	12
84	NUT	12
85	TRUSS HEX SCREW	8
87	TRUSS HEX SCREW	4
89	COUNTER SINK PHILIPS SCREW	4
90	HEX WRENCH	2
91	"PLUS" WRENCH	2
93	LEFT PEDAL	1
94	RIGHT PEDAL	1
95	HAND GRIP HR SENSOR	2
96	TRUSS PHILIPS SELF TAPPING SCREW ST4X25	2
97	FOAM GRIP	1
98	TRUSS END CAP	2
100	ADJUSTMENT CABLE	1
101	LOWER CONSOLE CABLE	1
102	MOTOR	1

NR.	BESCHREIBUNG	MENGE
103	ROUND HEAD PHILIPS SCREW	3
104	FLY WHEEL	1
105	ALLEN FLANGE SCREW NUT	2
106	WASHER	2
107	BEARING	2
108	FLAT HEAD HEX SCREW	1
109	NYLON NUT	1
110	MIDDLE CONSOLE CABLE	1
113	NYLON NUT	4
117	SPACER	1
118	FLAT WASHER	1
120	WIRELESS HAND PULSE RECEIVER	1
121	COUNTER SINK PHILIPS SELF TAPPING SCREW	2
49+97	HAND GRIP+FOAM GRIP	1
122	CLAMP II	1
123	SCKT-HD CAP SCREW	1
124	HANDLE BAR COVER	1
125	TSHAPE KNOB	1

# COMFORT 4.0 / 8.1 EXPLOSIONSANSICHT





## COMFORT 4.0 / 8.1 TEILELISTE

NR.	BESCHREIBUNG	MENGE
2	POP-PIN	1
3	INNER BUSHING	1
4	BEARING	1
5	DRIVE PULLEY	1
6	MAGNET	1
7	TRANSMISSION SHAFT;NEW;	1
8	SPACER;NEW;	1
9	C-CLIP	1
10	ALLEN HEX SCREW;NEW;	1
11	NYLON NUT	1
12	WAVE WASHER	1
13	BELT	1
15	INDUCTION LOWER CONTROLLER CONNECTING WI	1
16	SENSOR CABLE	1
17	LOWER CONSOLE CABLE	1
18	ROUND SENSOR FIXING PLASTIC	1
19	ROUND HEAD PHILIPS DRILLING SELF TAPPING	1
20	POWER CORD	1
21	LOWER CONTROL BOARD	1
22	TRUSS PHILIPS SELF TAPPING SCREW	1
24	INDUCTION FLY WHEEL	1
25	ROUND HEAD HEX SCREW	1
26	WASHER	1
27	SPRING WASHER	1
28	LEFT CRANK	1

NR.	BESCHREIBUNG	MENGE
29	RIGHT CRANK	1
30	CRANK COVER	1
31	HEX FLANGE SCREW	1
32	IDLE WHEEL FIXING PLATE;NEW;	1
33	BEARING	1
35	COUNTER SINK PHILIPS SCREW	1
36	SLEEVE	1
37	IDLE WHEEL FLEXING SPRING	1
38	LEFT SHROUD	1
39	RIGHT SHROUD	1
40	CONSOLE MAST DECORATIVE RING	1
41	CRANK DECORATIVE RING	1
42	RUBBER STEP-THROUGH PAD	1
43	SEAT POST SUPPORT TUBE PAD	1
44	CLIP	1
45	TRUSS PHILIPS SELF TAPPING SCREW	1
46	CONSOLE MAST	1
47	MIDDLE CONSOLE CABLE	1
49+97	HAND GRIP	1
54	FRONT STABILIZER	1
55	FRONT STABILIZER COVER	1
56	TRANSPORTATION WHEEL	1
57	TRUSS HEX SCREW	1
58	LEVELER	1
59	REAR STABILIZER	1

NR.	BESCHREIBUNG	MENGE
60	REAR STABILIZER COVER	1
61	SEAT POST	1
62	SEAT POST COVER	1
63	ROUND HEAD PHILIPS SCREW	1
64	SEAT SUPPORTING SHAFT	1
65	END CAP	1
66	TOWEL HOOK	1
67	CARRIAGE BOLT	2
68	FLAT WASHER	1
69	KNOB	1
70	SPACER	1
71	SITZ	1
72	CONSOLE	1
73	TRUSS PHILIPS SCREW	1
74	HAND GRIP HR SENSOR CABLE	2
75	ADAPTOR	1
77	BOTTLE HOLDER B	1
78	CONSOLE MAST GROMMET	1
80	AUDIO CABLE	1
82	FLAT WASHER	3
83	SPRING WASHER	2
84	NUT	2
85	TRUSS HEX SCREW	2
87	TRUSS HEX SCREW	12
89	COUNTER SINK PHILIPS SCREW	1

NR.	BESCHREIBUNG	MENGE
90	HEX WRENCH	1
91	"PLUS" WRENCH	1
93	LEFT PEDAL	1
94	RIGHT PEDAL	1
95	HAND GRIP HR SENSOR	2
96	TRUSS PHILIPS SELF TAPPING SCREW	2
97	FOAM--HANDLE BAR	1
98	TRUSS END CAP	2
113	NYLON NUT	2
115	WASHER	1
116	COUNTER SINK PHILIPS SCREW	1
120	WIRELESS HAND PULSE RECEIVER	1
121	COUNTER SINK PHILIPS SELF TAPPING SCREW	2
1-1	MAIN FRAME;NEW	1
122	CLAMP II	1
123	SCKT-HD CAP SCREW	1
124	HANDLE BAR COVER	1
125	TSHAPE KNOB	1



## COMFORT R8.0 TEILELISTE

NR.	BESCHREIBUNG	MENGE
1	MAIN FRAME	1
2	BEARING	2
3	DRIVE PULLEY	1
4	MAGNET	1
5	TRANSMISSION SHAFT	1
6	C-CLIP	1
7	ALLEN HEX SCREW	4
8	SPRING WASHER	4
9	NYLON NUT	4
10	WAVE WASHER	1
11	BUSHING	1
12	BELT	1
13	TWIST TIE	4
14	HAND PULSE WIRE FOR FRAME	1
15	ROUND SENSOR FIXING PLASTIC	1
16	ROUND HEAD PHILIPS DRILLING SELF TAPPING	1
17	ZIP TIE	4
18	POWER CORD	1
20	SPEED SENSOR CABLE	1
21	MIDDLE CONSOLE CABLE	1
22	LOWER CONSOLE CABLE	1
23	LOWER CONTROL BOARD	1
24	ALLEN HEX FLANGE SLIP SCREW NUT	3
24	TRUSS SELF TAPPING SCREW	1
25	INDUCTION FLY WHEEL	1

NR.	BESCHREIBUNG	MENGE
26	HEX SCREW	4
27	WASHER	4
28	SPRING WASHER	4
29	LEFT CRANK	1
30	RIGHT CRANK	1
31	CRANK COVER	1
31	CRANK COVER	1
32	CRANK DECORATIVE RING	2
33	ALLEN HEX FLANGE SLIP SCREW	1
33	ALLEN HEX FLANGE SLIP SCREW	1
34	IDLE WHEEL FLEXING SPRING	1
35	ADJUSTMENT SCREW	1
36	FLANGE SCREW	1
37	IDLE WHEEL FIXING PLATE	1
38	BEARING	3
39	C-CLIP	1
40	COUNTER SINK PHILIPS SCREW	3
41	BUSHING	3
42	LEFT SHROUD	1
43	RIGHT SHROUD	1
44	CONNECTING PLATE	1
45	TRUSS PHILIPS SCREW	1
45	TRUSS PHILIPS SCREW	2
46	CONSOLE MAST GROMMET	1
47	TRUSS PHILIPS SELF TAPPING SCREW	4

## COMFORT R8.0 TEILELISTE

NR.	BESCHREIBUNG	MENGE
47	TRUSS PHILIPS SELF TAPPING SCREW	4
48	REAR SUPPORT TUBE LEFT COVER	1
49	REAR SUPPORT TUBE RIGHT COVER	1
50	CLIP-SHORT	2
51	REAR SUPPORT TUBE TOP COVER	1
52	BASE TUBE LEFT COVER	1
53	BASE TUBE RIGHT COVER	1
54	RUBBER STEP-THROUGH PAD	1
55	CONSOLE MAST	1
56	TRUSS END CAP	2
56	TRUSS END CAP	2
57	UPPER HAND GRIP HR CABLE	1
58	FOAM GRIP-FRONT	2
59	CLIP-SHORT	5
60	BOTTLE HOLDER A	1
62	SEAT FRAME BASE ASSEMBLY	1
63	END CAP	4
64	BUSHING	1
65	SEAT ADJUSTMENT HANDLE	1
66	BUSHING	1
67	HANDLE PLASTIC CAP	1
68	TRUSS PHILIPS SELF TAPPING SCREW	1
70	REAR HANDLEBAR WELDING SET	1
71	TAPPING SCREW	2
72	HAND GRIP HR SENSOR	2

NR.	BESCHREIBUNG	MENGE
73	HAND GRIP HR SENSOR CABLE FOR THE HANDLE	1
75	CORD CAP	1
75	CORD CAP	1
76	FOAM GRIP	2
77	FRONT STABILIZER ASSEMBLY	1
78	FRONT STABILIZER COVER	1
79	TRANSPORTATION WHEEL	2
80	TRUSS HEX SCREW	2
81	LEVELER	2
81	LEVELER	2
82	TRUSS PHILIPS SCREW	6
83	REAR STABILIZER ASSEMBLY	1
84	REAR STABILIZER COVER	1
85	SEAT RAIL	1
86	ARC END CAP	1
88	SEAT STOP	1
89	CONSOLE	1
90	ADAPTOR	1
91	BACKREST PAD	1
92	SEAT PAD	1
93	CARRIAGE SCREW	8
94	SPRING WASHER	8
95	FLAT WASHER	32
96	NUT	8
97	TRUSS PHILIPS SELF TAPPING SCREW	4

NR.	BESCHREIBUNG	MENGE
98	TRUSS HEX SCREW	16
99	TRUSS HEX SCREW	8
100	TRUSS HEX SCREW	4
103	CKS HEX SCREW	12
104	SPRING WASHER	6
105	HEX WRENCH	2
106	"PLUS" WRENCH	2
107	HEX WRENCH	2
108	LEFT PEDAL	1
109	RIGHT PEDAL	1
111	COUNTER SINK HEX SCREW	4
112	UNTERLEGSCHIEBE (GEBOGEN)	4
114	FLAT WASHER	2
115	PLASTIC PAD	1
116	ROUND HEAD SELF TAPPING SCREW	1
125	FLAT WASHER	2
126	BUSHING	1
127	SOUND SOURCE WIRE	1
129	WIRELESS HAND PULSE RECEIVER	1
130	COUNTER SINK PHILIPS SELF TAPPING SCREW	2
42-1	LEFT SHROUD	1
43-1	RIGHT SHROUD	1
46-1	CONSOLE MAST GROMMET	1
48-1	REAR SUPPORT TUBE LEFT COVER	1
49-1	REAR SUPPORT TUBE RIGHT COVER	1

**EN: Waste Disposal**

VISION Fitness / HORIZON Fitness / TEMPO Fitness / TREO Fitness products are recyclable.  
At the end of its useful life please dispose of this article correctly and safely (local refuse sites).

**DE: Entsorgungshinweis**

Die Produkte VISION Fitness/HORIZON Fitness/TEMPO Fitness/TREO Fitness sind recycelbar.  
Führen Sie das Gerät am Ende der Nutzungsdauer einer sachgerechten Entsorgung zu (örtliche Sammelstelle).

**NL: Verwijderingsaanwijzing**

VISION Fitness / HORIZON Fitness / TEMPO Fitness / TREO Fitness producten zijn recyclebaar. Breng het apparaat aan het einde van de gebruiksduur naar een in recycling gespecialiseerd bedrijf (plaatselijk verzamelpunt).

**FR: Remarque relative à la gestion des déchets**

Les produits VISION Fitness / HORIZON Fitness / TEMPO Fitness / TREO Fitness sont recyclables. Lorsque cet appareil arrive en fin de vie, veuillez l'éliminer de manière correcte et en toute sécurité en le déposant dans une déchetterie communale.

**IT: Indicazione sullo smaltimento**

I prodotti VISION Fitness / HORIZON Fitness / TEMPO Fitness / TREO Fitness sono riciclabili. Quando l'apparecchio non servirà più, portarlo in un apposito punto di raccolta della propria città (punti di raccolta comunali).

**ES: Gestión de residuos**

Los productos de VISION Fitness / HORIZON Fitness / TEMPO Fitness / TREO Fitness son reciclables.  
Cuando se termine su vida útil, por favor deshágase de este artículo de forma correcta y segura en un punto limpio.

**PT: Descarte**

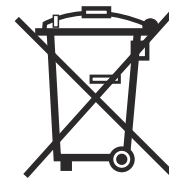
Os produtos VISION Fitness / HORIZON Fitness / TEMPO Fitness / TREO Fitness são recicláveis.  
No final de sua vida útil, descarte este equipamento corretamente e com segurança (sites de locais de lixo).

**ChT: 廢棄物處理**

VISION Fitness / HORIZON Fitness / TEMPO Fitness / TREO Fitness 產品為可回收產品。  
產品的使用年限期滿後，請依照正確且安全的方式處理本廢棄商品 (當地的廢棄場)。

**ChS: 废弃物处理**

VISION Fitness / HORIZON Fitness / TEMPO Fitness / TREO Fitness 产品是可回收利用的。  
在其使用期结束后，请正确安全地 (在本地垃圾处理场) 处理本品。



# BELANGRIJKE VOORZORGSMaatregelen



## **BEWAAR DEZE INSTRUCTIES**

Bij het gebruik trainingsproduct dienen altijd basisvoorzorgen te worden aangehouden, inclusief de volgende: Lees alle instructies voor u deze fietstrainer gebruikt. De eigenaar is er verantwoordelijk voor dat alle gebruikers van deze fietstrainer afdoende geïnformeerd worden over alle waarschuwingen en voorzorgsmaatregelen. Als u na het lezen van deze handleiding nog vragen hebt, neem dan contact op met uw plaatselijke dealer.





# WAARSCHUWING

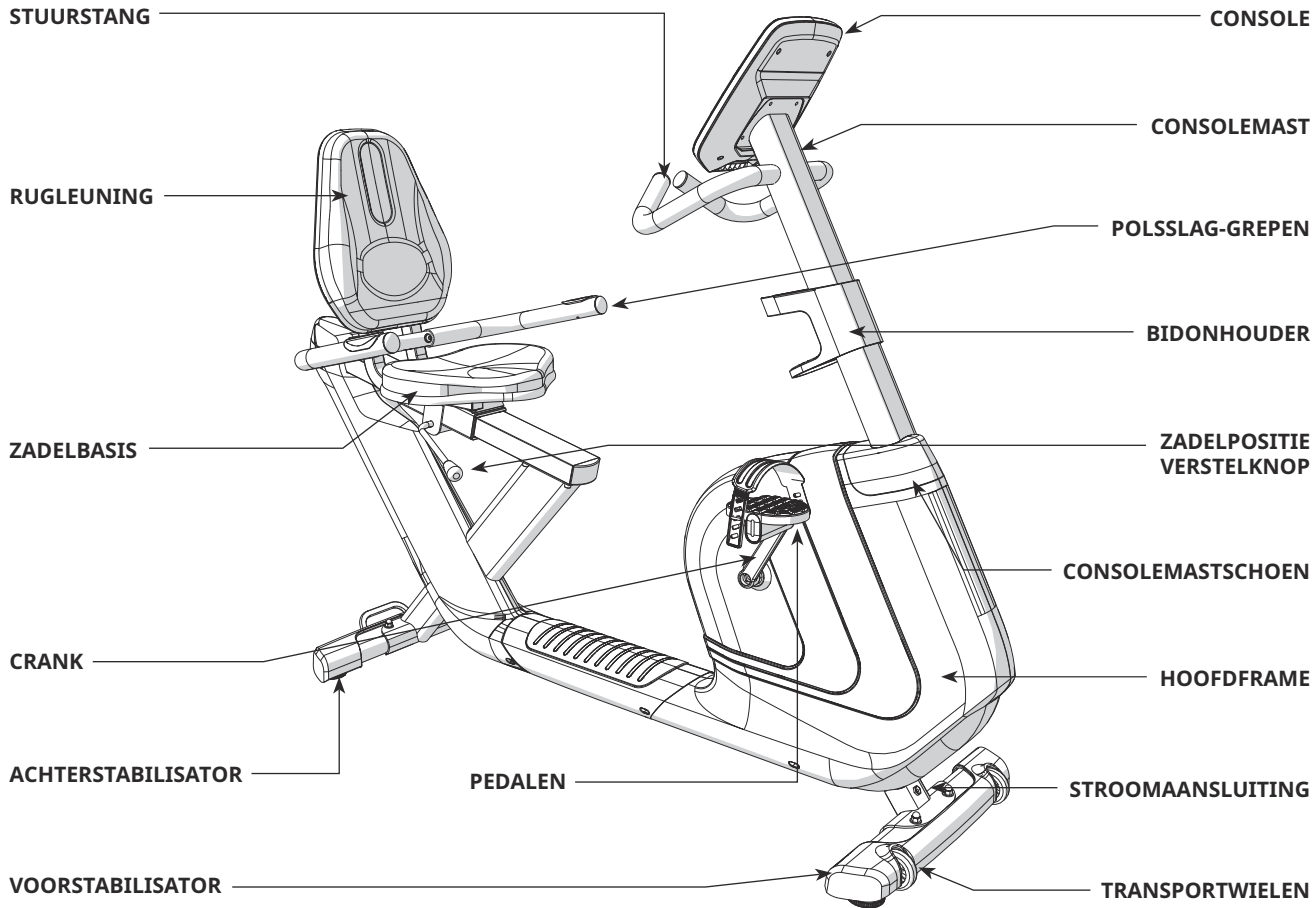
**LEES ALLE INSTRUCTIES EN BEWAAR DEZE INSTRUCTIES OP EEN VEILIGE PLAATS VOOR U DEZE FIETSTRAINER GEBRUIKT. HET WORDT TEN ZEEERSTE AANBEVOLEN OM DE VOLGENDE VEILIGHEIDSINSTRUCTIES IN ACHT TE NEMEN.**

- LET OP: Als u pijn op de borst ervaart, misselijkheid, duizeligheid of kortademigheid, stop dan direct uw training en raadpleeg uw arts voor u verder gaat.
- Gebruik deze fietstrainer voor het beoogde doel zoals beschreven in deze gebruikshandleiding. Gebruik geen toebehoren dat niet aanbevolen is door de fabrikant.
- Gebruik de fietstrainer nooit als deze niet naar behoren werkt of beschadigd is. Neem contact op met de officiële dealers voor onderzoek en reparatie.
- Gebruik de fietstrainer niet zonder geschikt schoeisel. Gebruik de fietstrainer NOOIT op blote voeten.
- Draag geen kleding die aan een bewegende onderdelen van deze fietstrainer kan blijven haken.
- Houd handen en voeten altijd uit de buurt van bewegende onderdelen om letsel te voorkomen. Draai de pedaalcranks nooit met de hand.
- Stap niet van de fietstrainer af voor de pedalen helemaal STILSTAAN.
- Probeer de fietstrainer niet staande te rijden bij hoge toerentallen totdat u op lagere snelheden hebt geoefend.
- Steek geen voorwerpen, handen of voeten in openingen, en stel uw handen, armen of voeten niet bloot aan het aandrijvingsmechanisme of andere onderdelen van de fietstrainer die kunnen bewegen.
- Niet gebruiken waar aerosols (spuitbussen) worden gebruikt of als zuurstof wordt toegediend.
- Er moet streng toezicht worden gehouden bij gebruik in de buurt van kinderen, invalide of gehandicapte mensen.
- Als de fietstrainer in gebruik is dienen jonge kinderen en huisdieren op ten minste 3 meter/10 voet afstand gehouden te worden.
- Zorg dat stelhendels (zadel en stuur voor- en achterzijde) correct beveiligd zijn en de range of motion niet beperken tijdens de training.
- Deze apparatuur is uitsluitend bedoeld voor gebruik binnenshuis.
- Deze toepassing met snelheidsonafhankelijk systeem.
- Als een van de verstelknoppen en -hendels blijft uitsteken, kunnen ze de beweging van de gebruiker hinderen.
- WAARSCHUWING! Hartslagmonitorsystemen kunnen onnauwkeurig zijn. Overmatig trainen kan ernstig letsel of de dood tot gevolg hebben. Stop uw training direct als u zich duizelig begint te voelen.





Comfort  
R8.0



## BENODIGD GEREEDSCHAP:

- 13/15mm moersleutel/schroevendraaier
- 5mm L-sleutel
- 6mm L-sleutel

## MEEGELEVERDE ONDERDELEN:

- 1 Hoofdframe
- 1 Console
- 1 Consolemast
- 1 Consolemastschoen
- 1 Bidonhouder
- 1 Voorstabilisator
- 1 Achterstabilisator
- 1 Zadelbasis
- 1 Rugleuning
- 1 Zadelframe
- 1 Zadelframeafdekking
- 1 Polsslag-grepen
- 2 Pedalen met straps
- 1 Audio-adapterkabel
- 1 Netsnoer
- 1 Set montagemateriaal

# LIGFIETSTRAINER VOORMONTAGE

## UITPAKKEN

Pak het toestel uit waar u het gaat gebruiken. Zet de doos van de fiets op een vlakke ondergrond. We raden u aan uw vloer ergens mee te beschermen. Open de doos nooit als deze op zijn kant ligt.

## BELANGRIJKE OPMERKINGEN

Controleer tijdens iedere stap van de montage of ALLE bouten en moeren op de juiste plek zitten en deels zijn aangedraaid. Het wordt aanbevolen om de volledige montage van het apparaat te voltooien voordat u de bouten volledig vastdraait.

Verschillende onderdelen zijn vooraf gesmeerd om montage en gebruik te vergemakkelijken. Veeg dit alstublieft niet weg. Als u moeilijkheden ondervindt raden wij u aan wat lithiumvet aan te brengen.

## HULP NODIG?

Als u vragen hebt of onderdelen mist kunt u contact opnemen met uw lokale dealer. De contactgegevens staan mogelijk op het achterpaneel van uw handleiding of op de garantiekaart.

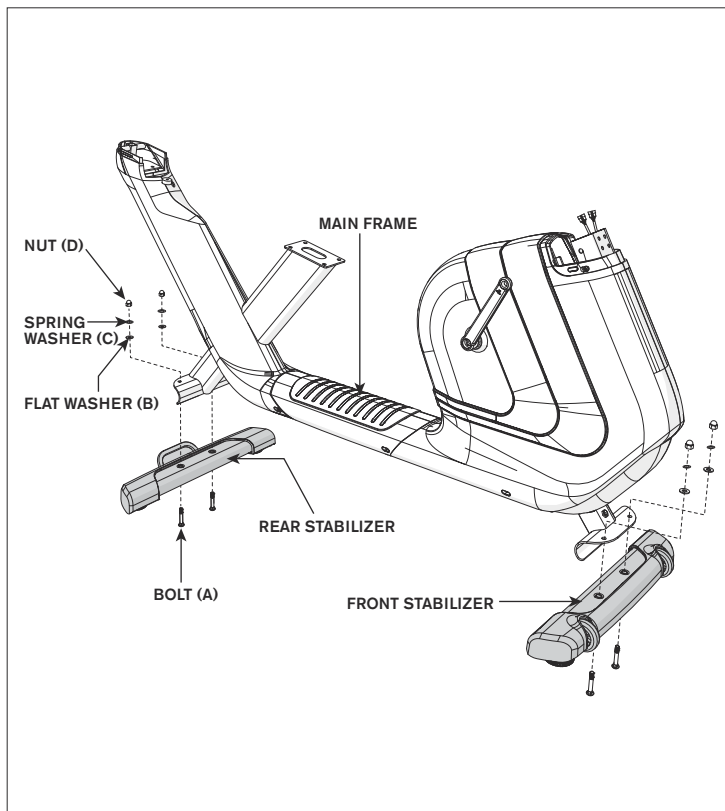


Comfort  
R8.0

# LIGFIETSTRAINER MONTAGE STAP 1





Comfort  
R8.0




## MONTAGEMATERIAAL VOOR STAP 1

 BOUT (A)  
M8 X 56 MM  
AANTAL: 4

 SLUITRING (B)  
Φ9 X Φ18 X 2,0T MM  
AANTAL: 4

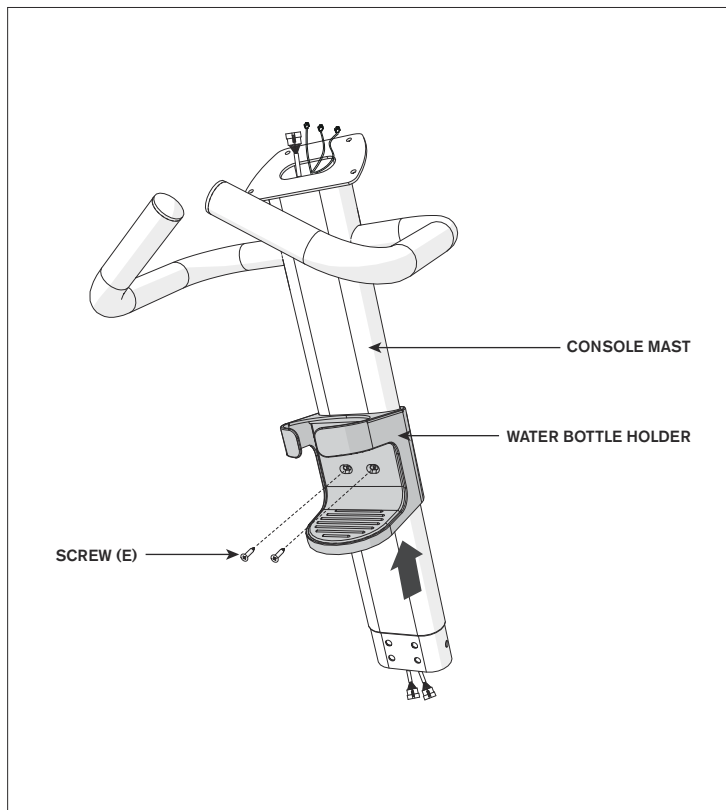
 VEERRING (C)  
M8 X 2,0T MM  
AANTAL: 4

 MOER (D)  
M8  
AANTAL: 4

- A Open het **MONTAGEMATERIAAL VOOR STAP 1**.
- B Bevestig de **ACHTERSTABILISATOR** aan het **HOOFDFRAME** met de **2 BOUTEN (A)**, **2 SLUITRINGEN (B)**, **2 VEERRINGEN (C)** en **2 MOEREN (D)**.
- C Bevestig de **VOORSTABILISATOR** aan het **HOOFDFRAME** met de **2 BOUTEN (A)**, **2 SLUITRINGEN (B)**, **2 VEERRINGEN (C)** en **2 MOEREN (D)**.

Let op: Als u het apparaat iets optilt is de montage makkelijker. Plaats eerst de stabilisator en breng dan de bouten aan. Dat is ook eenvoudiger voor de montage.

# LIGFIETSTRAINER MONTAGE **STAP 2**



## MONTAGEMATERIAAL VOOR STAP 2



SCHROEF (E)  
M4 X 12 MM  
AANTAL: 2

- A Open het **MONTAGEMATERIAAL VOOR STAP 2**.
- B Schuif de **BIDONHOUDER** in de **CONSOLEMAST** en lijn de schroefgaten van de **BIDONHOUDER** met de gaten van de **CONSOLEMAST** uit.
- C Bevestig de **BIDONHOUDER** met 2 **SCHROEVEN (E)**.

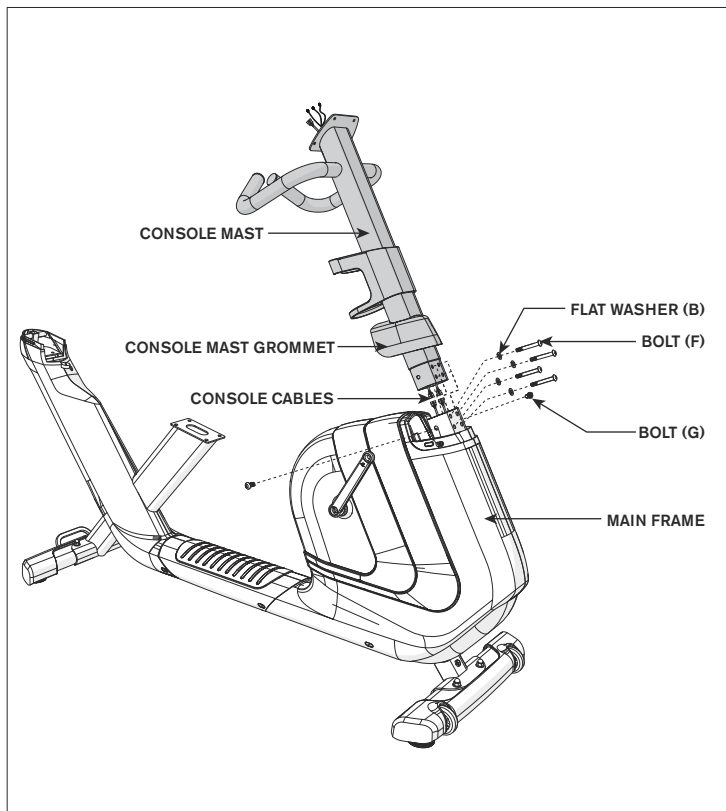


Comfort  
R8.0

## LIGFIETSTRAINER MONTAGE **STAP 3**





Comfort  
R8.0



### MONTAGEMATERIAAL VOOR STAP 3

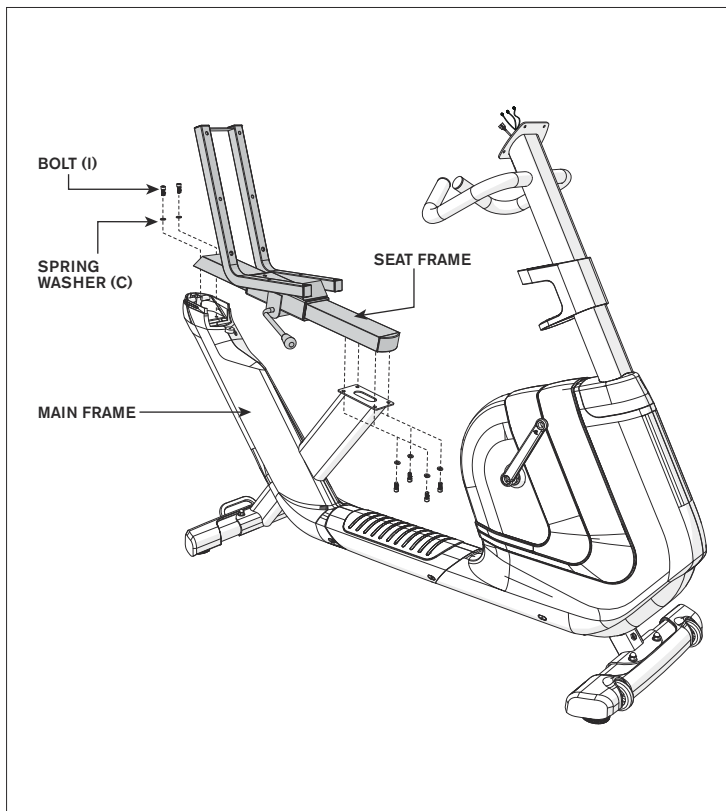
 BOUT (F)  
M8 X 60 MM  
AANTAL: 4

 BOUT (G)  
M8 X 18 MM  
AANTAL: 2

 SLUITRING (B)  
Φ9 X Φ18 X 2,0T MM  
AANTAL: 4


- A Open het **MONTAGEMATERIAAL VOOR STAP 3**.
- B Schuif de **CONSOLEMASTSCHOEN** vanaf de onderkant in de **CONSOLEMAST**.
- C Bevestig de **CONSOLEKABELS** en werk de kabels voorzichtig in het **HOOFDFRAME**. Schuif de **CONSOLEMAST** in het **HOOFDFRAME**.
- D Bevestig de **CONSOLEMAST** met **2 BOUTEN (G)** vanaf de zijkant en **4 BOUTEN (F)** en **4 SLUITRINGEN (B)** vanaf de voorzijde.
- E Schuif de **CONSOLEMASTSCHOEN** naar beneden over het **HOOFDFRAME**.

# LIGFIETSTRAINER MONTAGE **STAP 4**



## MONTAGEMATERIAAL VOOR STAP 4

 BOUT (I)  
M8 X 18 MM  
AANTAL: 6

 VEERRINGEN (C)  
M8 X 2,0T MM  
AANTAL: 6

- A Open het **MONTAGEMATERIAAL VOOR STAP 4**.
- B Bevestig het **ZADELFRAME** aan het **HOOFDFRAME** met 6 **BINNENZESKANTBOUTEN (I)** en 6 **VEERRINGEN (C)** zoals afgebeeld.



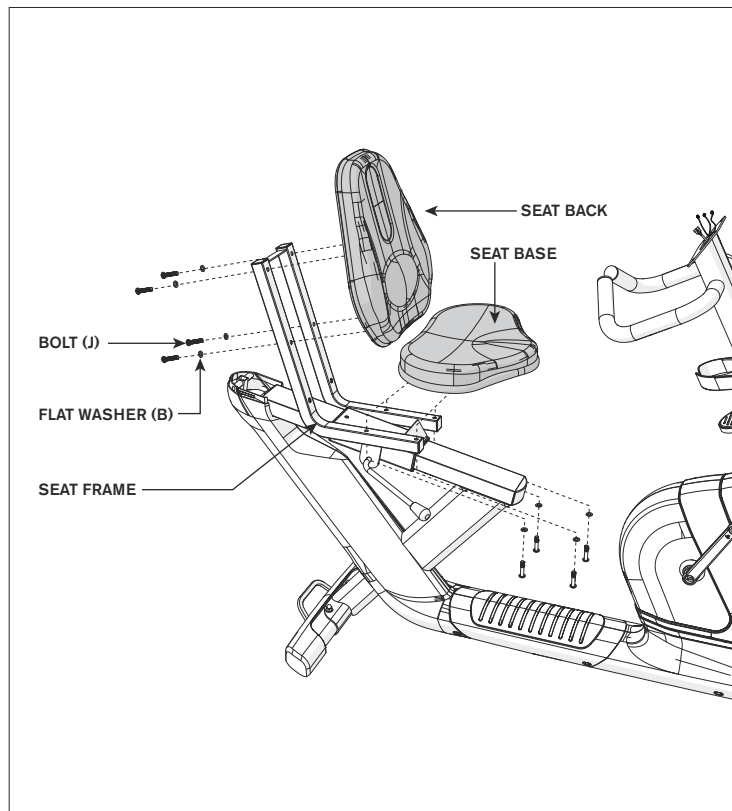
Comfort  
R8.0



## LIGFIETSTRAINER MONTAGE STAP 5




Comfort  
R8.0



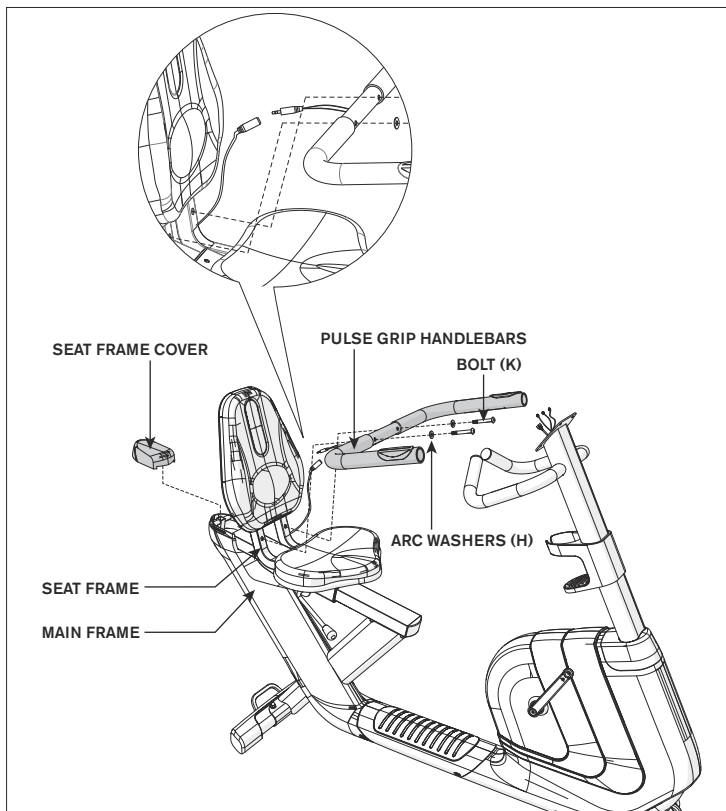
### MONTAGEMATERIAAL VOOR STAP 5

 BOUT (J)  
M8 X 45 MM  
AANTAL: 8

 SLUITRING (B)  
 $\Phi 9 \times \Phi 18 \times 2,0$  MM  
AANTAL: 8


- A Open het **MONTAGEMATERIAAL VOOR STAP 5**.
- B Bevestig de **ZADELBASIS** aan het **ZADELFRAME** met 4 **BOUTEN (J)** en 4 **SLUITRINGEN (B)**.
- C Bevestig de **RUGLEUNING** aan het **ZADELFRAME** met 4 **BOUTEN (J)** en 4 **SLUITRINGEN (B)**.

# LIGFIETSTRAINER MONTAGE STAP 6



## MONTAGEMATERIAAL VOOR STAP 6

 BOUT (K)  
M10 X 65 MM  
AANTAL: 2

 GEGOLFDE  
VEERRING (H)  
Φ10,5 X Φ20 X 2,0T MM  
AANTAL: 2

- A Open het **MONTAGEMATERIAAL VOOR STAP 6**.
- B Bevestig de **POLSSLAG-GREPEN** aan het **ZADELFRAME** met 2 **BOUTEN (K)** en 2 **GEGOLFDE VEERRINGEN (H)**.
- C Bevestig de **ZADELFRAME-AFDEKKING** aan het **HOOFDFRAME** zoals afgebeeld.
- D Bevestig de hartslagkabels van de **POLSSLAG-GREPEN** aan de hartslagkabels op het **HOOFDFRAME**.

Let op: Controleer voor de montage of de handgreep in de juiste positie staat met de hartslaggreep naar boven en de kabel naar beneden.

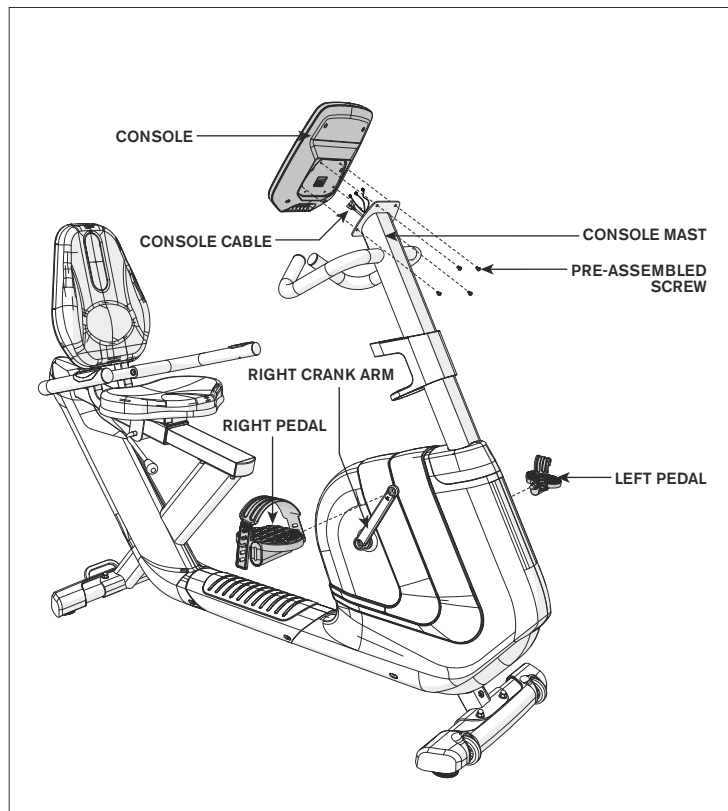


Comfort  
R8.0


## LIGFIETSTRAINER MONTAGE **STAP 7**



Comfort  
R8.0



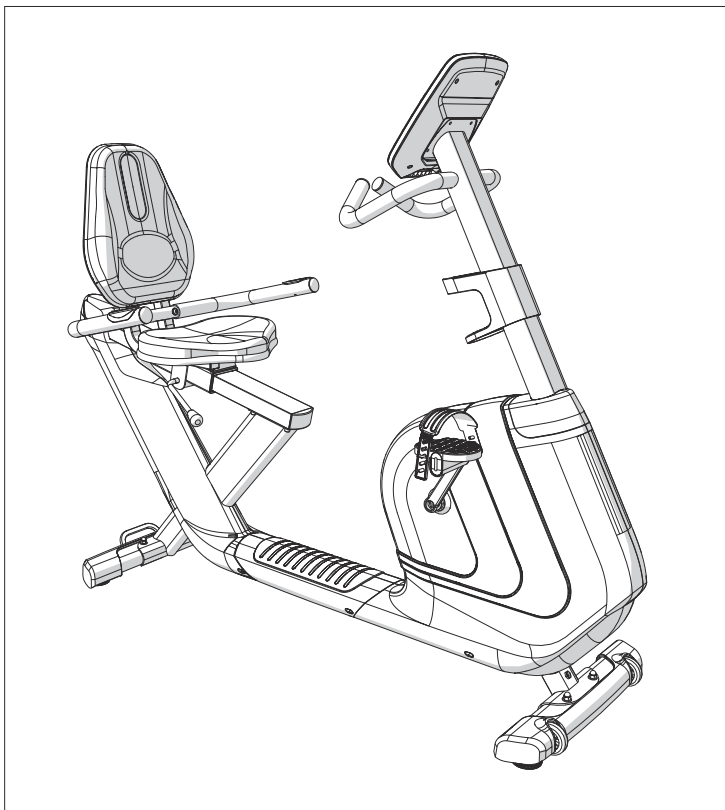
### MONTAGEMATERIAAL VOOR STAP 7

-  VOORGEMONTEERDE  
SCHROEF  
M5 X 7 MM  
AANTAL: 4

- Het **MONTAGEMATERIAAL VOOR STAP 7** is voorgesamonteerd.
- Bevestig de **RECHTER PEDAAL** aan de **RECHTER CRANKARM** en schroef met de klok mee vast met de meegeleverde 13mm/15mm-sleutel.
- Bevestig de **LINKER PEDAAL** aan de linker crankarm en schroef tegen de klok in vast met de meegeleverde 13mm/15mm-sleutel. (LET OP: De linker crankarm heeft een omgekeerd schroefdraad, dus het is zeer belangrijk dat deze tegen de klok in wordt aangedraaid. Als u andersom draait, kan het pedaal of de crankarm of beide beschadigd raken).
- Sluit de **CONSOLEKABEL** aan en werk de kabel voorzichtig weg in de **CONSOLEMAST**.
- Bevestig de **CONSOLE** aan de **CONSOLEMAST** met de 4 **VOORGEMONTEERDE SCHROEVEN**.

Let op: U hebt een 15mm-sleutel nodig om het pedaal vast te zetten. Let op dat u niet uitschiet bij het vastdraaien.

# LIGFIETSTRAINER MONTAGE



**MONTAGE VOLTOOID!**



Comfort  
R8.0

## **Comfort R8.0**

Totale afmetingen: 165 x 64 x 135 cm

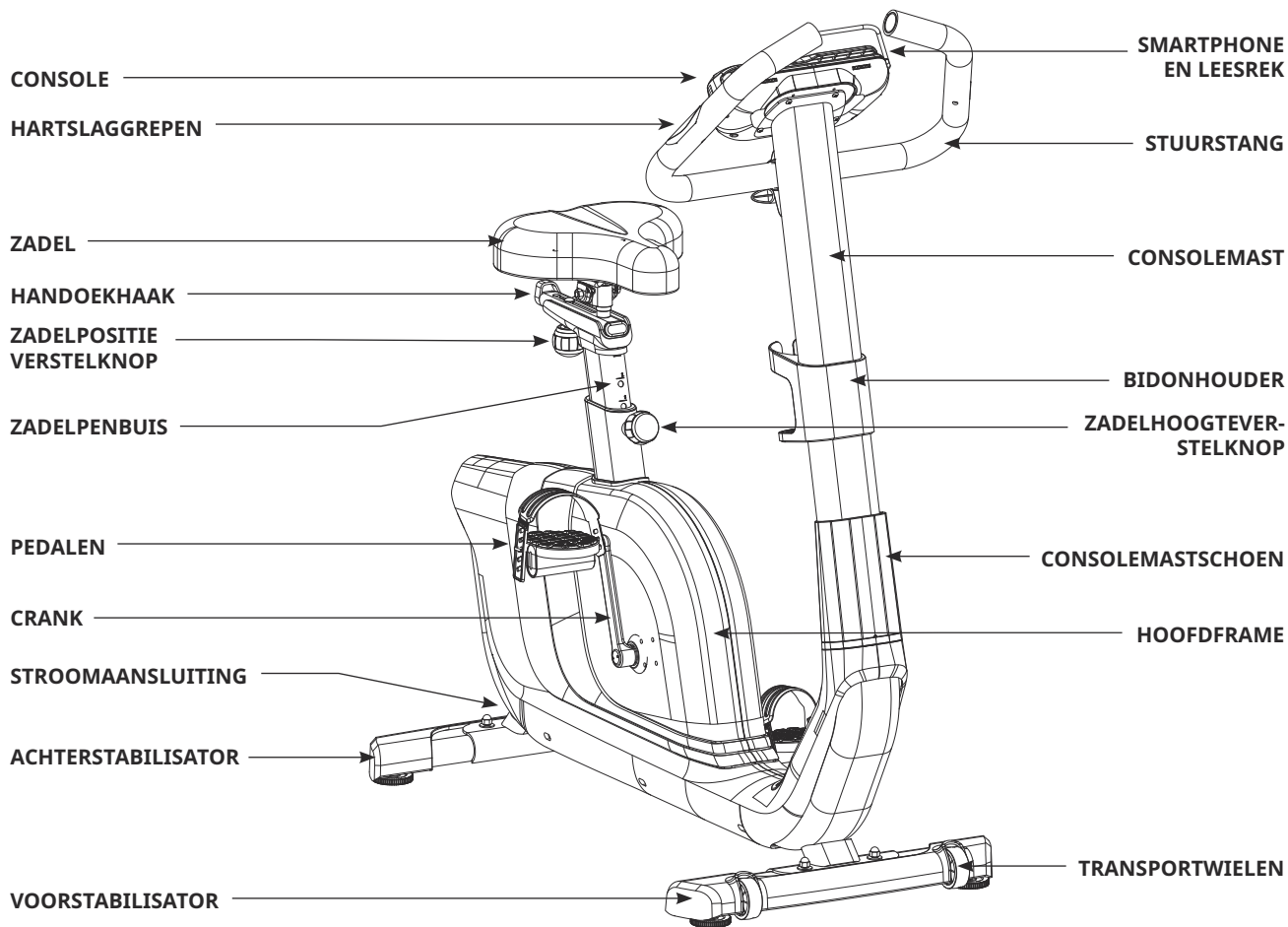
Netto Gewicht: 49,5 kg / 109 lbs.

Totaal gewicht: 56,5 kg / 124 lbs.

Max. gewicht gebruiker: 136 kg / 300 lbs.



Comfort  
Upright  
Fiets



(COMFORT 2.0 GETOOND)

## BENODIGD GEREEDSCHAP:

- 13/15mm moersleutel/schroevendraaier
- 6mm L-sleutel

## MEEGELEVERDE ONDERDELEN:

- 1 Hoofdframe
- 1 Console
- 1 Consolemast
- 1 Consolemastschoen
- 1 Bidonhouder
- 1 Voorstabilisator
- 1 Achterstabilisator
- 1 Zadel
- 1 Zadelpenbuis
- 2 Pedalen met straps
- 1 Audio-adapterkabel
- 1 Netsnoer
- 1 Set montagemateriaal

# UPRIGHT BIKE VOORMONTAGE

## UITPAKKEN

Pak het toestel uit waar u het gaat gebruiken. Zet de doos van de fiets op een vlakke ondergrond. We raden u aan uw vloer ergens mee te beschermen. Open de doos nooit als deze op zijn kant ligt.

## BELANGRIJKE OPMERKINGEN

Controleer tijdens iedere stap van de montage of ALLE bouten en moeren op de juiste plek zitten en deels zijn aangedraaid. Het wordt aanbevolen om de volledige montage van het apparaat te voltooien voordat u de bouten volledig vastdraait.

Verschillende onderdelen zijn vooraf gesmeerd om montage en gebruik te vergemakkelijken. Veeg dit alstublieft niet weg. Als u moeilijkheden ondervindt raden wij u aan wat lithiumvet aan te brengen.

## HULP NODIG?

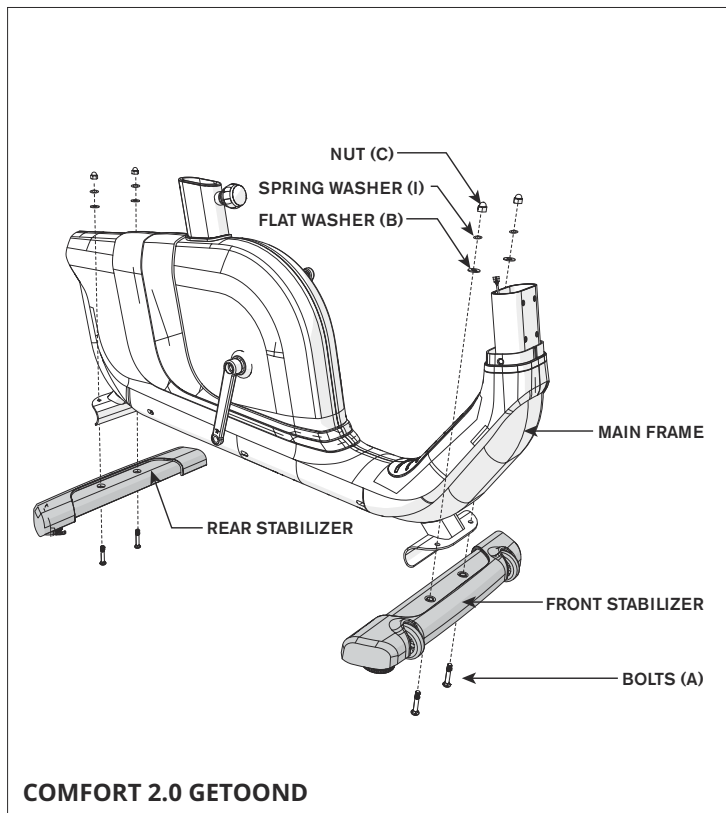
Als u vragen hebt of onderdelen mist kunt u contact opnemen met uw lokale dealer. De contactgegevens staan mogelijk op het achterpaneel van uw handleiding of op de garantiekaart.



# UPRIGHT BIKE MONTAGE STAP 1



Comfort  
Upright  
Fiets



## MONTAGEMATERIAAL VOOR STAP 1

 BOUT (A) M8 X 56 MM AANTAL: 4	 SLUITRING (B) Φ9 X Φ20 X 2,0T MM AANTAL: 4
 MOER (C) M8 AANTAL: 4	 VEERRING (I) M8 X 2,0T MM AANTAL: 4

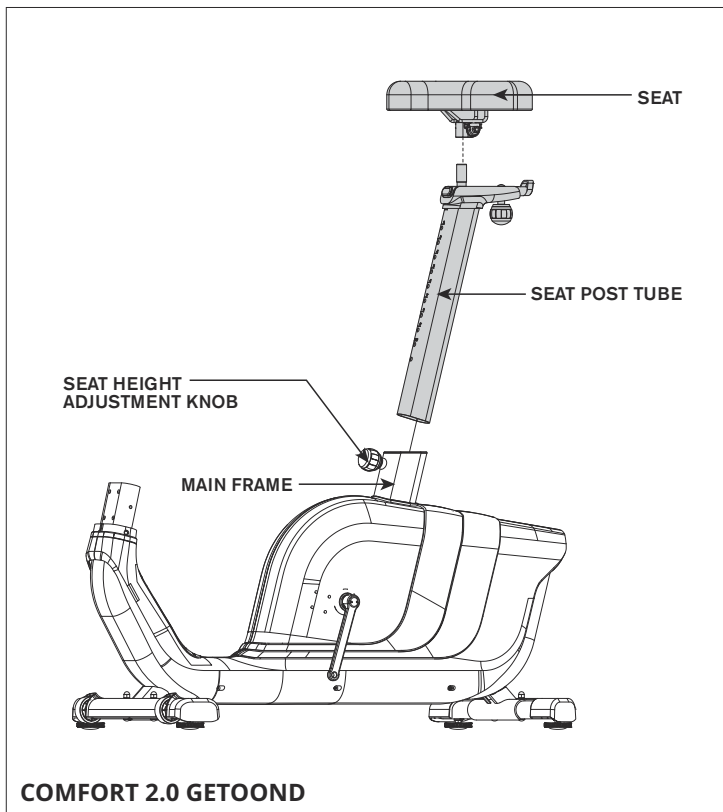
- Open het **MONTAGEMATERIAAL VOOR STAP 1**.
- Bevestig de **ACHTERSTABILISATOR** aan het **HOOFDFRAME** met 2 **BOUTEN (A)**, 2 **SLUITRINGEN (B)**, 2 **VEERRINGEN (I)** en 2 **MOEREN (C)**.
- Bevestig de **VOORSTABILISATOR** aan het **HOOFDFRAME** met de 2 **BOUTEN (A)**, 2 **SLUITRINGEN (B)**, 2 **VEERRINGEN (I)** en 2 **MOEREN (C)**.

Let op: Als u het apparaat iets optilt is de montage makkelijker. Plaats eerst de stabilisator en breng dan de bouten aan. Dat is ook eenvoudiger voor de montage.

## UPRIGHT BIKE MONTAGE STAP 2



Comfort  
Upright  
Fiets



Let op: Er is geen montagemateriaal nodig bij deze stap.

- A Bevestig het **ZADEL** aan de **ZADELPENBUIS** en draai de **ZADELMOEREN** aan met een 13mm-sleutel. (Het kan zijn dat u een extra 13mm-sleutel nodig heeft om de montage van het zadel gemakkelijker te maken).
- B Draai de **ZADELHOOGTEVERSTELKNOP** 2,5 slagen los (tegen de klok in).
- C Trek de **ZADELHOOGTEVERSTELKNOP** naar buiten en schuif de **ZADELPENBUIS** in het **HOOFDFRAME**.

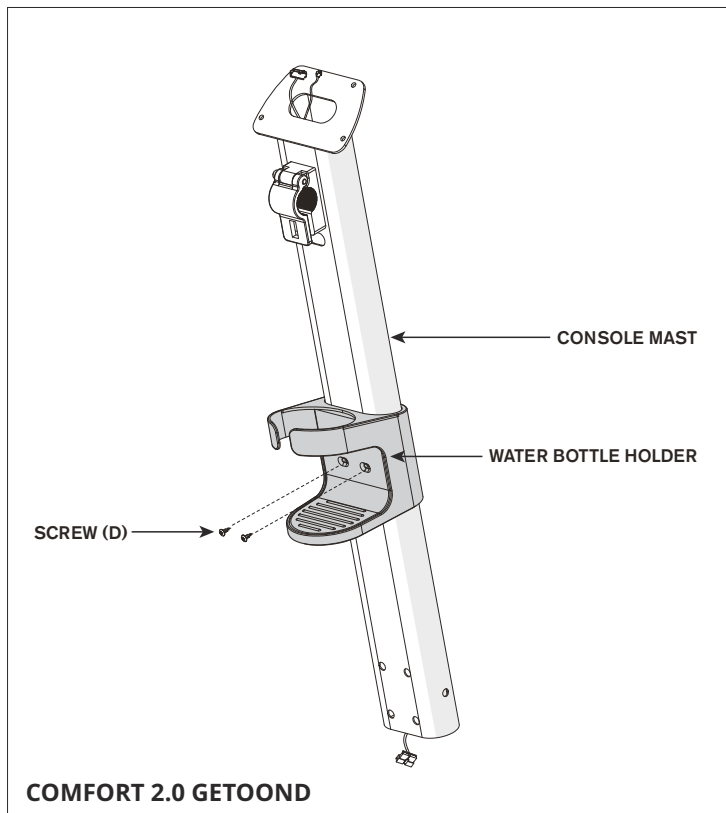
Let op: Zorg er bij de montage van het ZADEL voor dat het zadel in de juiste positie staat. Kantel de voorkant van het ZADEL iets naar boven voor een stabiele zitpositie.



## UPRIGHT BIKE MONTAGE STAP 3



Comfort  
Upright  
Fiets



### MONTAGEMATERIAAL VOOR STAP 3

-  SCHROEF (D)  
M4 X 12 MM  
AANTAL: 2

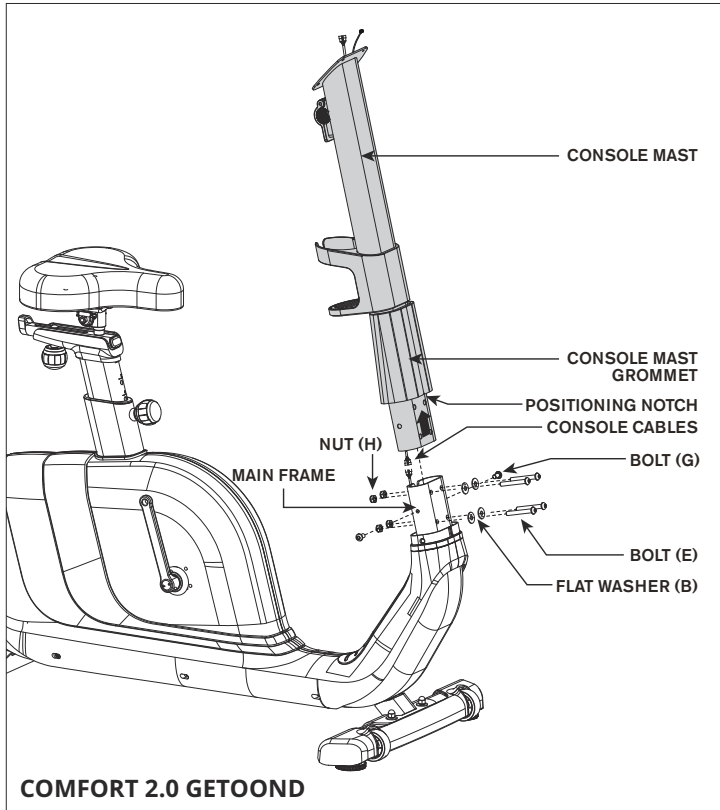
- Open het **MONTAGEMATERIAAL VOOR STAP 3**.
- Schuif de **BIDONHOUDER** in de **CONSOLEMAST** en lijn de schroefgaten van de **BIDONHOUDER** met de gaten van de **CONSOLEMAST** uit.
- Bevestig de **BIDONHOUDER** met 2 **SCHROEVEN (D)**.

Let op: Zorg dat er geen draden beklemd raken bij de montage.


# UPRIGHT BIKE MONTAGE STAP 4



Comfort  
Upright  
Fiets



## MONTAGEMATERIAAL VOOR STAP 4

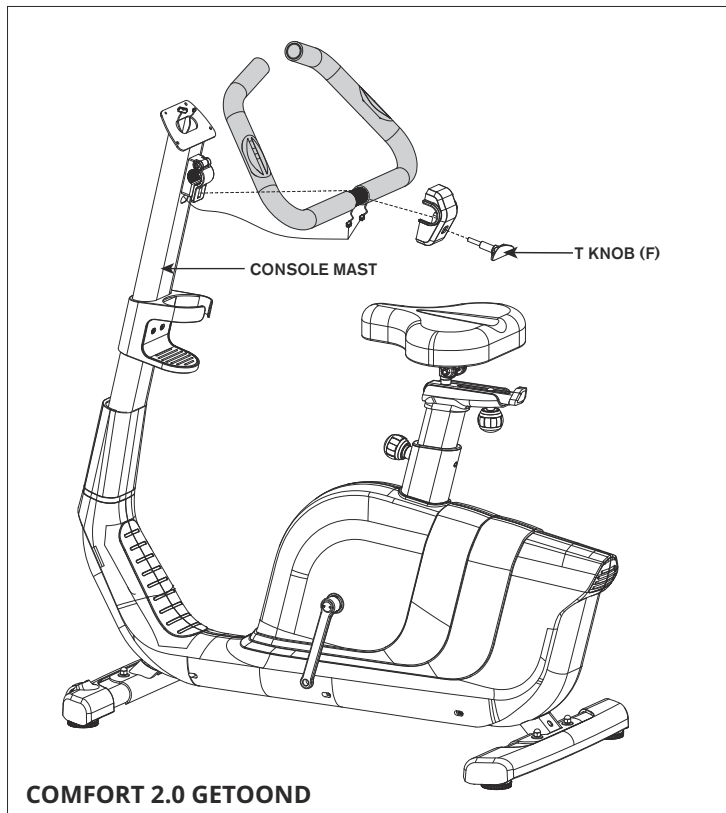
 BOUT (E) M8 X 60 MM AANTAL: 4	 SLUITRING (B) Φ9 X Φ20 X 2,0T MM AANTAL: 4
 BOUT (G) M8 X 15 MM AANTAL: 2	 MOER (H) M8 AANTAL: 4

- Open het **MONTAGEMATERIAAL VOOR STAP 4**.
- Schuif de **CONSOLEMASTSCHOEN** vanaf de onderkant in de **CONSOLEMAST** met de kleine **POSITIONERINGSOPENING** naar de voorkant.
- Bevestig de **CONSOLEKABELS** en werk de kabels voorzichtig in het **HOOFDFRAME**. Schuif de **CONSOLEMAST** in het **HOOFDFRAME**.
- Bevestig de **CONSOLEMAST** met **2 BOUTEN (G)** vanaf de zijkant en **4 BOUTEN (E)** en **4 SLUITRINGEN (B)**, **4 MOEREN (H)**.
- Schuif de **CONSOLEMASTSCHOEN** naar beneden over het **HOOFDFRAME**.

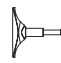
## UPRIGHT BIKE MONTAGE STAP 5



Comfort  
Upright  
Fiets



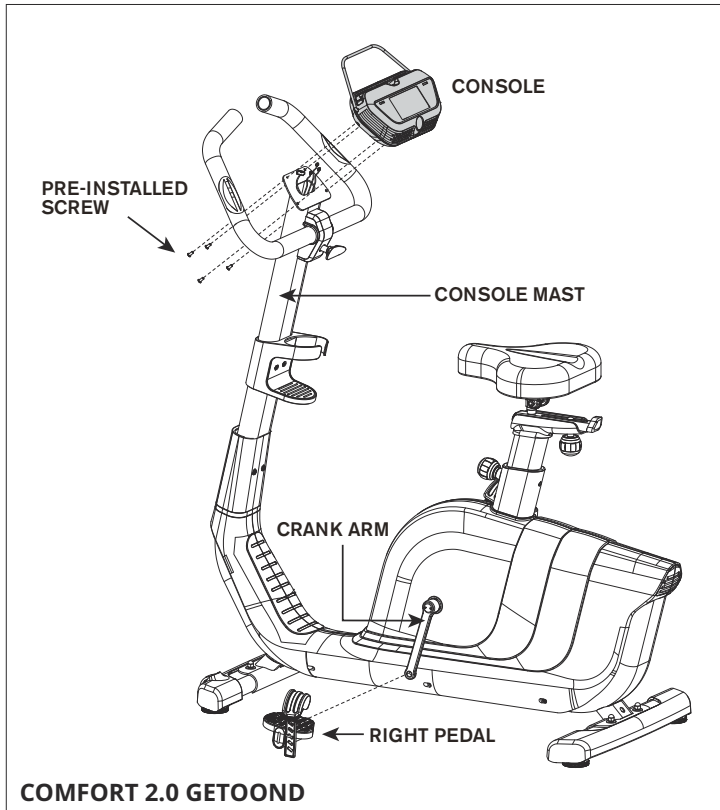
### MONTAGEMATERIAAL VOOR STAP 5

 T KNOB (F)  
M8 X 64 X 32  
AANTAL: 1

- A Open het **MONTAGEMATERIAAL VOOR STAP 5**.
- B Houd de **HANDGREEP** bij de **CONSOLEMAST** en voer de **HANDGREEPKABELS** door het gat in de **CONSOLEMAST** en uit de bovenkant van de **CONSOLEMAST**.
- C Bevestig de handgreep aan de **CONSOLEMAST** met 1 **T KNOB (F)**.

Let op: Het kan zijn dat u extra hulp nodig hebt om de hartslagkabel aan te leggen en de handgreep vast te zetten.

## UPRIGHT BIKE MONTAGE STAP 6



Let op: Er is geen montagemateriaal nodig bij deze stap.

- A Het **MONTAGEMATERIAAL** is voormonteed.
- B Bevestig de **RECHTER PEDAAL** aan de **RECHTER CRANKARM** en schroef met de klok mee vast met de meegeleverde 13mm/15mm-sleutel.
- C Bevestig de **LINKER PEDAAL** aan de linker crankarm en schroef tegen de klok in vast met de meegeleverde 13mm/15mm-sleutel. (LET OP: De linker crankarm heeft een omgekeerd schroefdraad, dus het is zeer belangrijk dat deze tegen de klok in wordt aangedraaid. Als u andersom draait, kan het pedaal of de crankarm of beide beschadigd raken).
- D Sluit de **CONSOLEKABEL** aan en werk de kabel voorzichtig weg in de **CONSOLEMAST**.
- E Bevestig de **CONSOLE** aan de **CONSOLEMAST** met de 4 **VOORMONTEERDE SCHROEVEN**.

Let op: U hebt een 15mm-sleutel nodig om het pedaal vast te zetten. Let op dat u niet uitschiet bij het vastdraaien.

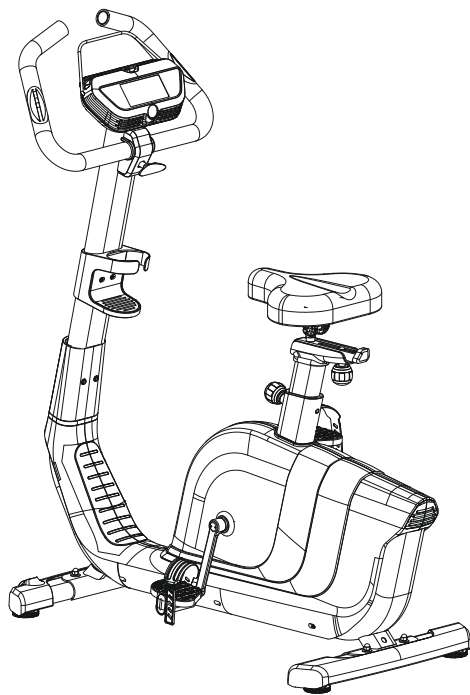


Comfort  
Upright  
Fiets

# UPRIGHT BIKE MONTAGE



Comfort  
Upright  
Fiets



**COMFORT 2.0 GETOOND**

**MONTAGE VOLTOOID!**

## **Comfort 2.0**

Totale afmetingen: 120 x 55 x 134 cm  
Netto Gewicht: 35,5 kg / 78 lbs.  
Totaal gewicht: 41 kg / 90 lbs.  
Max. gewicht gebruiker: 136 kg / 300 lbs.

## **Comfort 4.0**

Totale afmetingen: 120 x 55 x 134 cm  
Netto Gewicht: 38 kg / 84 lbs.  
Totaal gewicht: 43,5 kg / 96 lbs.  
Max. gewicht gebruiker: 136 kg / 300 lbs.

## **Comfort 8.1**

Totale afmetingen: 120 x 55 x 134 cm  
Netto Gewicht: 38 kg / 84 lbs.  
Totaal gewicht: 43,5 kg / 96 lbs.  
Max. gewicht gebruiker: 136 kg / 300 lbs.

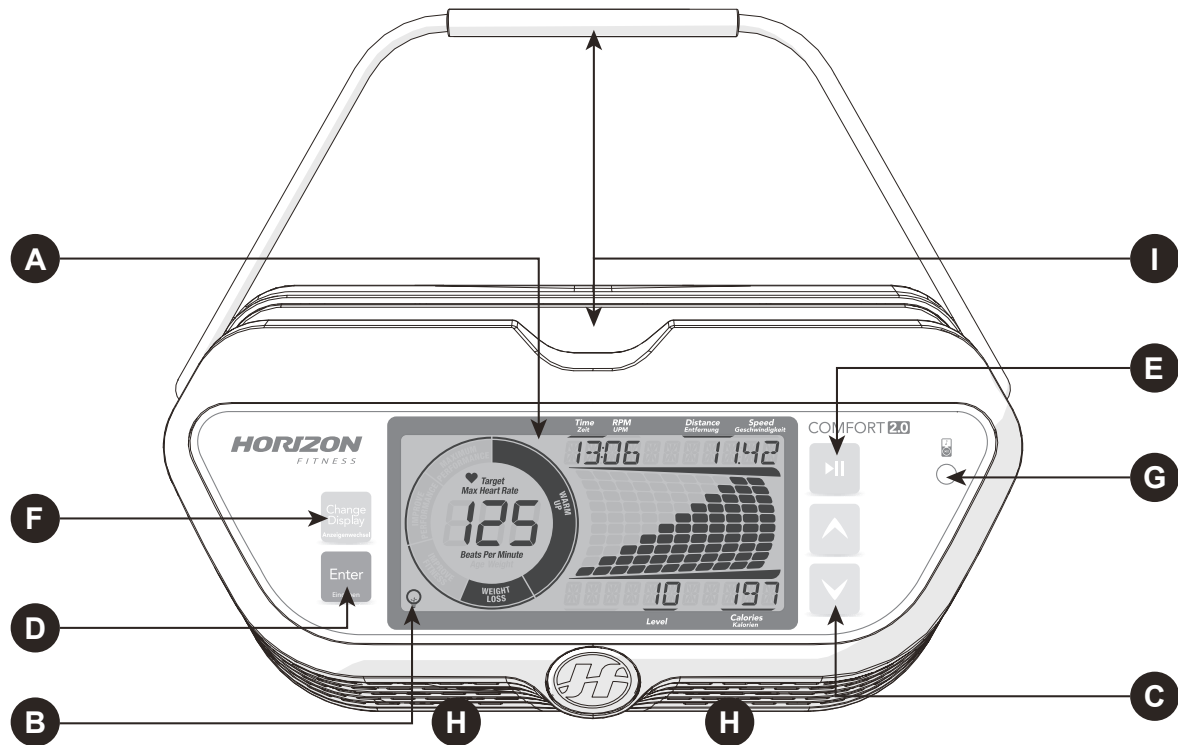
# GEBRUIK VAN DE FIETS



Dit hoofdstuk geeft uitleg over het gebruik van de console en programmering van de fiets.



Comfort  
2.0



## COMFORT 2.0 CONSOLEBEDIENING

Let op: Op de afdekking van de console bevindt zich een dunne beschermlaag van doorzichtig plastic die vóór gebruik moet worden verwijderd.

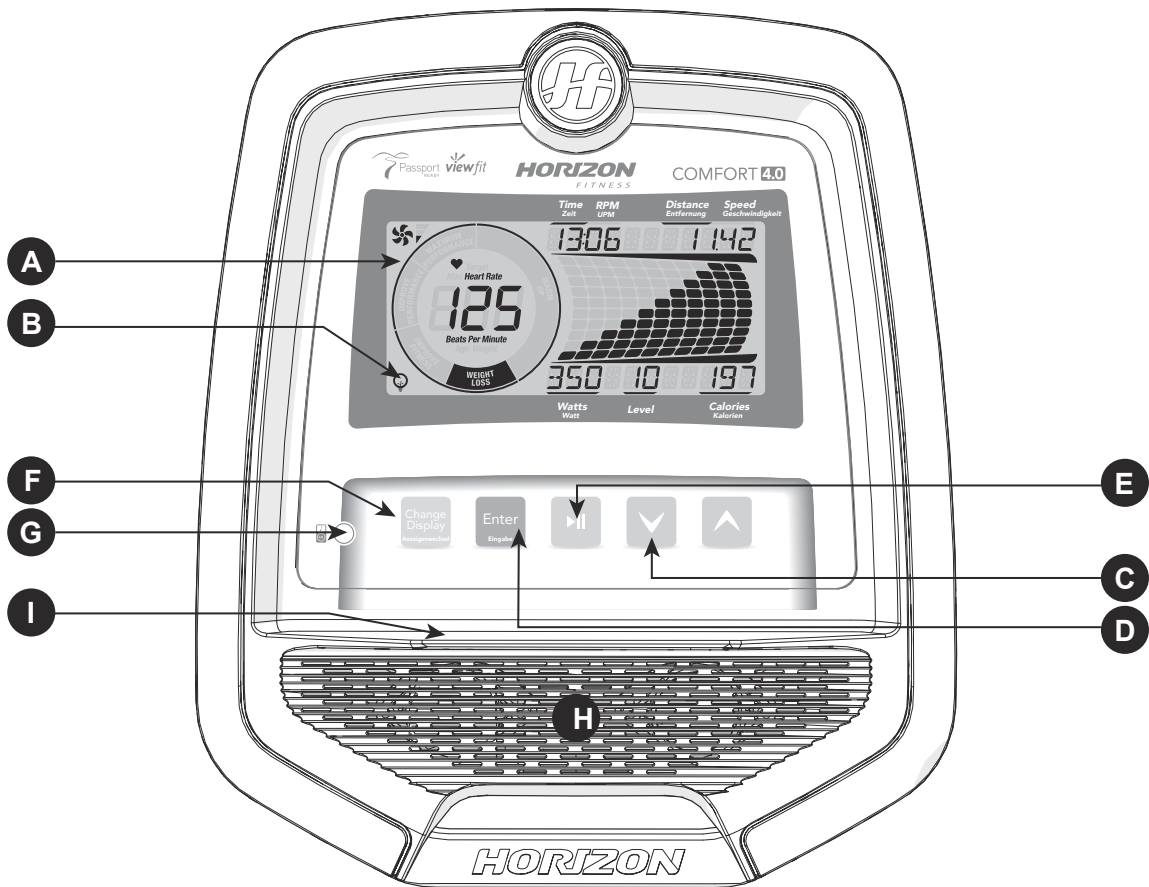
- A) **LCD-DISPLAYVENSTERS:** Tijd, afstand, calorieën, snelheid, toerental, weerstandsniveau, hartslag, calorieën, HR-wiel, trainingsprofiel.
- B) **ENERGIESPAARSTAND:** Om het energieverbruik tot een minimum te beperken, gaat uw apparaat automatisch na 15 minuten stand-by in de energiespaarstand en kan het apparaat snel worden gewekt met een druk op de knop.
- C) **▼ ▲ PIJLTJESTOETSEN:** Gebruik de pijltjestoetsen omhoog en omlaag om een programma te selecteren, uw console in te stellen of de weerstand te veranderen tijdens de training.
- D) **ENTER-KNOP:** gebruikt om de instelling van het trainingsprogramma of het gebruikersprofiel te bevestigen.
- E) **▶|| START/STOP-KNOP:** indrukken om te beginnen met sporten, uw training te starten of te hervatten na een pauze. Druk de knop 3 seconden in om de console te resetten.
- F) **WISSELEN VAN DISPLAY:** gebruikt om door de weergavemodi en de trainingsfeedback te scrollen. Druk op de knop om te wisselen tussen de displaykolom en te wisselen tussen de weergave van het profiel voor de weerstand (weergegeven bovenste balk) of het watt-profiel van uw huidige training (weergegeven onderste balk).
- G) **AUDIO IN-AANSLUITING:** te gebruiken om verbinding te maken met uw mobiele telefoon of mp3-speler om uw muziek af te spelen via de geïntegreerde luidspreker.
- H) **LUIDSPREKER:** muziekweergave af via de luidspreker wanneer deze is aangesloten op uw mediaspeler.
- I) **SMARTPHONE- EN LEESREK:** voor uw smartphone, tablet of leesmateriaal.







Comfort  
4.0



## COMFORT 4.0 CONSOLEBEDIENING

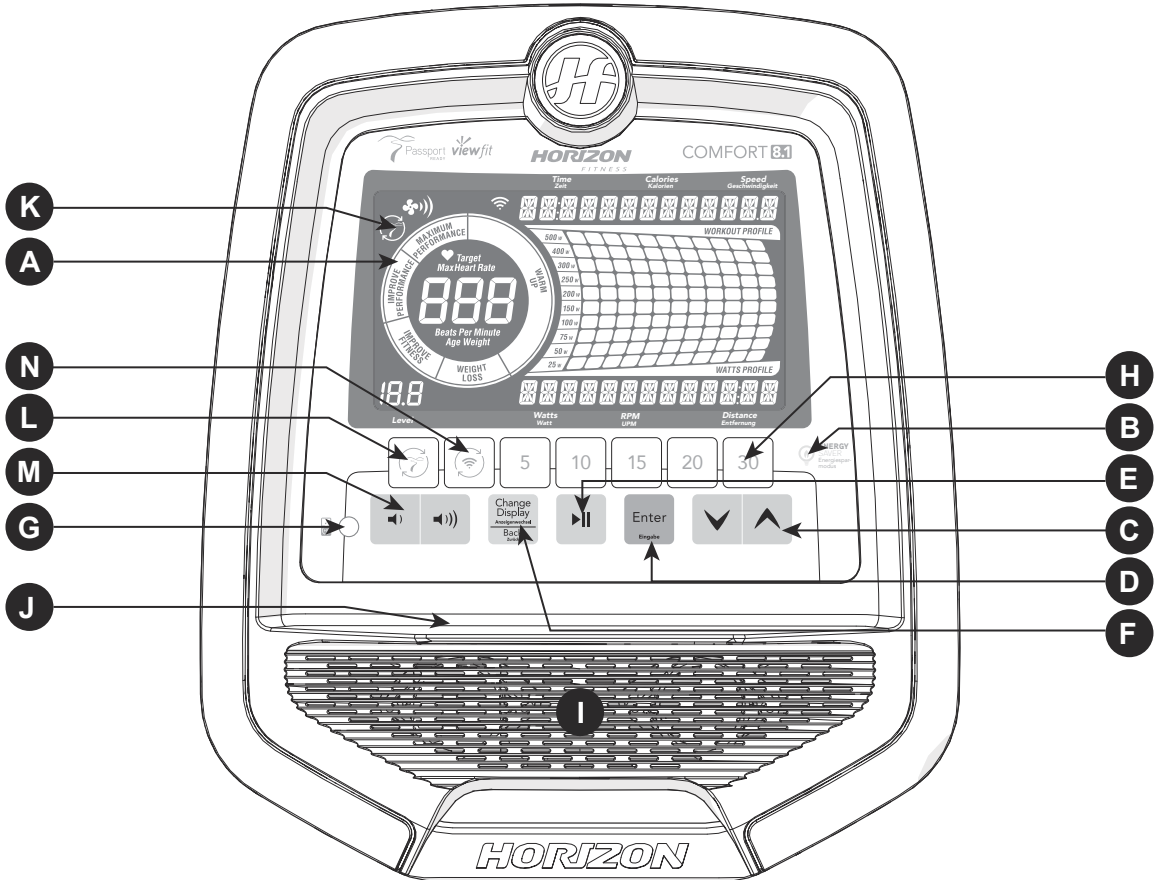
Let op: Op de afdekking van de console bevindt zich een dunne bescherm laag van doorzichtig plastic die vóór gebruik moet worden verwijderd.

- A) **LCD-DISPLAYVENSTERS:** Tijd, afstand, calorieën, snelheid, toerental, weerstandsniveau, hartslag, calorieën, watts, HR-wiel, profiel.
- B) **ENERGIESPAARSTAND:** Om het energieverbruik tot een minimum te beperken, gaat uw apparaat automatisch na 15 minuten stand-by in de energiespaarstand en kan het apparaat snel worden gewekt met een Touch op de knop.
- C) **▼ ▲ PIJLTJESTOETSEN:** Gebruik de pijltjestoetsen omhoog en omlaag om een programma te selecteren, uw console in te stellen of de weerstand te veranderen tijdens de training.
- D) **ENTER-KNOP:** gebruikt om de instelling van het trainingsprogramma of het gebruikersprofiel te bevestigen.
- E) **START/STOP-KNOP:** indrukken om te beginnen met sporten, uw training te starten of te hervatten na een pauze. Druk de knop 3 seconden in om de console te resetten.
- F) **WISSELEN VAN DISPLAY:** gebruikt om door de weergavemodi en de trainingsfeedback te scrollen. Druk op de knop om te wisselen tussen de displaykolom en te wisselen tussen de weergave van het profiel voor de weerstand (weergegeven bovenste balk) of het watt-profiel van uw huidige training (weergegeven onderste balk). (Opmerking: gebruik met de pijltjestoets omhoog om het Passport-synchronisatieproces te activeren, zie pagina 50 voor meer details).
- G) **AUDIO IN-AANSLUITING:** te gebruiken om verbinding te maken met uw mobiele telefoon of mp3-speler om uw muziek af te spelen via de geïntegreerde luidspreker.
- H) **LUIDSPREKER:** muziekweergave af via de luidspreker wanneer deze zijn aangesloten op uw mediaspeler.
- I) **SMARTPHONE- EN LEESREK:** voor uw smartphone, tablet of leesmateriaal.





Comfort  
8.1  
getoond



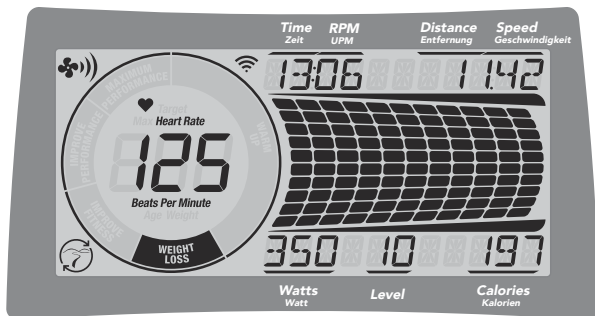
## COMFORT 8.1 / R8.0 CONSOLEBEDIENING

Let op: Op de afdekking van de console bevindt zich een dunne beschermlaag van doorzichtig plastic die vóór gebruik moet worden verwijderd.

- A) **LCD-DISPLAYVENSTERS:** Tijd, afstand, calorieën, snelheid, toerental, weerstandsniveau, hartslag, calorieën, watts, HR-wiel, weerstandsprofiel, Passport-verbinding.
- B) **ENERGIESPAARSTAND:** Om het energieverbruik tot een minimum te beperken, gaat uw apparaat automatisch na 15 minuten stand-by in de energiespaarstand en kan het apparaat snel worden gewekt met een druk op de knop.
- C) **▼ ▲ PIJLTJESTOETSEN:** Gebruik de pijltjestoetsen omhoog en omlaag om een programma te selecteren, uw console in te stellen of de weerstand te veranderen tijdens de training.
- D) **ENTER-KNOP:** gebruikt om de instelling van het trainingsprogramma of het gebruikersprofiel te bevestigen.
- E) **▶|| START/STOP-KNOP:** indrukken om te beginnen met sporten, uw training te starten of te hervatten na een pauze. Druk de knop 3 seconden in om de console te resetten.
- F) **WISSELEN VAN DISPLAY/TERUG-KNOP :** gebruikt om door de weergavemodi en de trainingsfeedback te scrollen. Druk op de knop om te wisselen tussen de displaykolom en te wisselen tussen de weergave van het profiel voor de weerstand (weergegeven bovenste balk) of het watt-profiel van uw huidige training (weergegeven onderste balk). ook gebruikt om terug te navigeren naar de gebruikersinstellingen.
- G) **AUDIO IN-AANSLUITING:** te gebruiken om verbinding te maken met uw mobiele telefoon of mp3-speler om uw muziek af te spelen via de geïntegreerde luidspreker.
- H) **WEERSTAND-DIRECT KNOP:** Gebruik de direct-knop om de gewenste trainingsweerstand te kiezen.
- I) **LUIDSPREKER:** muziekweergave af via de luidspreker wanneer deze zijn aangesloten op uw mediaspeler.
- J) **SMARTPHONE- EN LEESREK:** voor uw smartphone, tablet of leesmateriaal.
- K) **PASSPORT:** Het zal op het scherm verschijnen wanneer de machine is verbonden met Passport.
- L) **PASSPORT SNELTOETS:** om met Passport te verbinden. Drukken en synchroniseren met Passport.
- M) **VOLUMEKNOP:** gebruikt om het volume harder en zachter te zetten.
- N) **WI-FI CONNECT & SYNC & TIJDZONE:** Druk op deze knop om uw draadloze internetverbinding te resetten en te verbinden en om de tijdzone in te stellen. Zie pagina 36 voor meer informatie.



## COMFORT 2.0/ 4.0 DISPLAYS

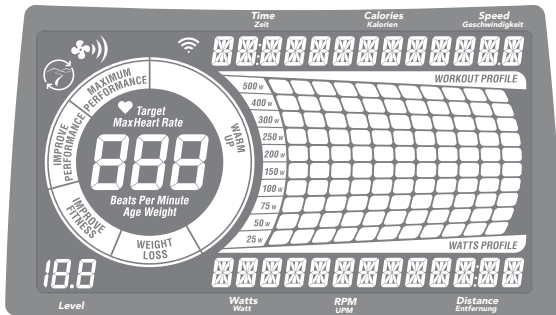


Comfort  
2.0 / 4.0

### DISPLAYVENSTERS

- **TIJD:** Wordt weergegeven als minuten : seconden. Bekijk de resterende tijd of de tijd die uw training geduurd heeft.
- **TPM:** Toeren per minuut.
- **AFSTAND:** Getoond in km. Geeft de afgelegde afstand of de nog af te leggen afstand tijdens uw training weer.
- **SNELHEID:** Getoond als KM/H. Geeft aan hoe snel de wielen bewegen.
- **WATTS (ALLEEN COMFORT 4.0):** Geeft het huidige vermogen van de gebruiker weer. Uw wattprestaties worden ook berekend en als dot-matrix-profiel aan rechterkant getoond.

- **NIVEAU:** Geeft het huidige weerstandsniveau weer.
- **CALORIEËN:** Totaal aantal calorieën dat u verbrand heeft tijdens uw training.
- **HARTSLAG:** Wordt weergegeven als BPM (beats per minute - aantal slagen per minuut). Wordt gebruikt om uw hartslag te controleren.
- **MAXIMALE HARTSLAG:** Laat uw maximale hartslag zien. De knop Wissel display schakelt tussen uw MAXIMALE HARTSLAG en uw huidige HARTSLAG. De MAXIMALE HARTSLAG wordt berekend als  $(220 - \text{leeftijd}) \times 0,85$ .
- **HARTSLAGWIEL:** Geeft uw huidige activiteitszone weer tijdens uw training. Met dit hartslagwiel kunt u er zeker van zijn dat uw trainingsniveau past bij uw trainingsdoel.
  - WARMING-UP: 0-60% van de maximale hartslag.
  - GEWICHTSVERLIES: 60-70% van de maximale hartslag.
  - FITNESS-VERBETERING: 70-80% van de maximale hartslag.
  - PRESTATIEVERBETERING: 80-90% van de maximale hartslag.
  - MAXIMALE PRESTATIES: 90-100% van de maximale hartslag.
- **ENERGIESPAARSTAND:** Geeft aan wanneer het apparaat in de energiespaarstand staat (zie pagina 51 voor meer informatie).
- **PASSPORT (ALLEEN COMFORT 4.0):** Geeft aan wanneer de machine in de Passport-modus staat om te synchroniseren met het Passport.



## DISPLAYVENSTERS

- **TIJD:** Wordt weergegeven als minuten : seconden. Bekijk de resterende tijd of de tijd die uw training geduurd heeft.
- **TPM:** Toeren per minuut.
- **AFSTAND:** Getoond in km. Geeft de afgelegde afstand of de nog af te leggen afstand tijdens uw training weer.
- **SNELHEID:** Getoond als KM/H. Geeft aan hoe snel de wielen bewegen.
- **WATTS:** Geeft het huidige vermogen van de gebruiker weer.
- **NIVEAU:** Geeft het huidige weerstandsniveau weer.
- **CALORIEËN:** Totaal aantal calorieën dat u verbrand heeft tijdens uw training.

- **HARTSLAG:** Wordt weergegeven als BPM (beats per minute - aantal slagen per minuut). Wordt gebruikt om uw hartslag te controleren.
- **MAXIMALE HARTSLAG:** Laat uw maximale hartslag zien. De knop Wissel display schakelt tussen uw MAXIMALE HARTSLAG en uw huidige HARTSLAG. De MAXIMALE HARTSLAG wordt berekend als  $(220 - \text{leeftijd}) \times 0,85$ .
- **HARTSLAGWIEL:** Geeft uw huidige activiteitszone weer tijdens uw training. Met dit hartslagwiel kunt u er zeker van zijn dat uw trainingsniveau past bij uw trainingsdoel.  
 WARMING-UP: 0-60% van de maximale hartslag.  
 GEWICHTSVERLIES: 60-70% van de maximale hartslag.  
 FITNESS-VERBETERING: 70-80% van de maximale hartslag.  
 PRESTATIEVERBETERING: 80-90% van de maximale hartslag.  
 MAXIMALE PRESTATIES: 90-100% van de maximale hartslag.
- **WATT-SCHAAL EN PROFIELDISPLAY:** toont uw huidige training in watt. Voorbeeld: De 50W punt zal oplichten om aan te geven dat 25-50 watt is bereikt of geselecteerd. U kunt de toets voor het wijzigen van het display gebruiken om terug te schakelen naar de weergave van het trainingsprofiel: De schaal gaat tot 400W in het watt-programma en geeft uw doelwatt-bereik binnen 25-400 watt weer.
- **ENERGIESPAARSTAND:** Geeft aan wanneer het apparaat in de energiespaarstand staat (zie pagina 51 voor meer informatie).
- **PASSPORT:** Geeft aan wanneer de machine in de Passport-modus staat om te synchroniseren met het Passport.
- **WI-FI:** Geeft aan dat er een draadloze verbinding aanwezig is en de sterkte (laag, medium, hoog).






## INSTELLEN XID-ACCOUNT VOOR VIEWFIT-VERBINDING

Als u een xID-account aanmaakt, kunt u online op **viewfit.com** trainingsgegevens opslaan en delen. Er kunnen maximaal vier gebruikers op een machine worden opgeslagen. Dit proces is de eerste stap in het aansluiten van uw apparatuur. Het moet worden gedaan vanaf een computer, tablet of mobiel apparaat.

- 1) Bezoek de website: **viewfit.com**.
- 2) Eenmaal op de website selecteert u in de bovenste menubalk de optie CONNECT YOUR EQUIPMENT.
- 3) De eerste stap om uw apparatuur aan te sluiten is het aanmaken van uw xID-account. Dit zal uw login op ViewFit zijn.
- 4) Voer uw telefoonnummer of een ander gemakkelijk te onthouden 10-14-cijferig nummer in. Dit zal uw rekeningnummer zijn.
- 5) Vul uw profielgegevens in om het instellen van een xID-account te voltooien. U moet een e-mailadres opgeven dat niet gekoppeld is aan een andere xID-account. Controleer uw e-mail na het installatieproces voor een link om uw account te valideren.

## WI-FI-VERBINDING

Zodra u uw xID-account heeft aangemaakt, kunt u overgaan tot het activeren van de Wi-Fi op uw apparaat. Dit vereist dat u uw computer, tablet of mobiel apparaat is verbonden met het internet.

- 6) Houd de knop  3-5 seconden ingedrukt om de tijdzone in te stellen, zie de tijdzonecode op de laatste pagina en druk vervolgens op de knop Enter. U ziet daarna het bericht ACTIVATED op het scherm.
- 7) Ga op uw computer of ander apparaat naar uw Wi-Fi-instellingen. U moet hier het "ViewFit"-netwerk selecteren. Hierdoor kunt u uw apparaat op uw draadloze netwerk aansluiten.
- 8) Er verschijnt een nieuw venster met de lijst van draadloze netwerken die uw apparaat gevonden heeft. Selecteer uw eigen Wi-Fi-netwerk en maak verbinding.
- 9) De resterende stap is om uw computer of ander apparaat weer aan te sluiten op uw Wi-Fi-netwerk. Ga opnieuw naar uw instellingen en maak verbinding zoals u normaal zou doen.

Voltooid! U bent nu verbonden en klaar om te beginnen.

## AAN DE SLAG

### SNELLE START

- 1) Zorg dat het apparaat ingeschakeld is.
- 2) Druk op START / STOP ►|| om een oefening in HANDMATIGE modus te starten.
- 3) Druk op ▲ ▼ om het weerstandsniveau tijdens de training aan te passen.

### DE TRAINING BEGINNEN

- 1) Kies gast / gebruiker1 / gebruiker2 / gebruiker3 / gebruiker4.
- 2) Selecteer het gewenste programma.
- 3) Selecteer uw geslacht (alleen vereist bij het Fit-Test-programma).
- 4) Selecteer de programma-instellingen, de tijd, het niveau, enz.
- 5) Druk op Start/Stop ►|| om uw training te starten.

## ON DE SELECTIE TE WISSEN/DE CONSOLE TE RESETTEN

Houd de START/STOP-knop ►|| 3 seconden ingedrukt.

### UW TRAINING BEËINDIGEN

Als u uw training voltooid heeft, zal de fiets stoppen en u hoort een pieptoon. U kunt de stekker uit het stopcontact halen of het apparaat gaat in 15 minuten naar de energiespaarstand.







## PROGRAMMA-INFORMATIE

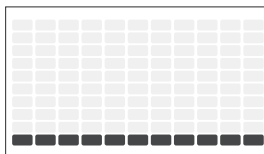
**Comfort 2.0:** 11 programma's (Handmatig / Intervallen / Spel / Gewichtsverlies / Rollende heuvels / Kadans / Willekeurig / THR-zone / %THR / Aangepast 1 / Aangepast 2)

**Comfort 4.0:** 14 programma's (Constant watts/ Handmatig / Intervallen / Spel / Fitnesstest / Gewichtsverlies / Gewichtsverlies Plus / Rollende heuvels / Kadans / Willekeurig / THR-zone / %THR / Aangepast 1 / Aangepast 2)

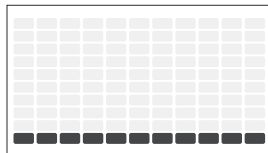
**Comfort 8.1:** 16 programma's (Constant watts / Interval watt / Handmatig / Intervallen / Spel / Fitnesstest / Gewichtsverlies / Gewichtsverlies Plus / Rollende heuvels / Kadans / Willekeurig / THR Zone / %THR / Krachtopbouw / Aangepast 1 / Aangepast 2)

**Comfort R8.0:** 16 programma's (Constant watts / Interval watt / Handmatig / Intervallen / Spel / Fitnesstest / Gewichtsverlies / Gewichtsverlies Plus / Rollende heuvels / Kadans / Willekeurig / THR Zone / %THR / Krachtopbouw / Aangepast 1 / Aangepast 2)

**1) HANDMATIG:** Hiermee kunt u het weerstandsniveau aanpassen aan uw voorkeur, zonder een vooraf ingesteld programma. Pas uw weerstandsniveau handmatig aan tijdens uw training. De gebruiker stelt de tijd en het weerstand in met behulp van (omhoog/omlaag-pijlen) en ENTER.



- 2) **INTERVALLEN:** Verbeter uw kracht, snelheid en uithoudingsvermogen door het verhogen en verlagen van het weerstandsniveau tijdens de training om zowel uw hart als uw spieren te betrekken. Programma op basis van tijd waarbij u uit 16 niveaus kunt kiezen. De gebruiker stelt de tijd en het niveau in met behulp van (omhoog/omlaag-pijlen) en ENTER.



(Comfort 2.0)

INTERVALLEN																				
	Warming-up				Programmasegmenten - Herhalen												Cool down			
Seconden	60	60	60	60	30	60	60	30	30	60	30	60	60	30	60	60	60	60	60	
Segment	1	2	3	4	5	6	7	8	9	10	11	12	13	14	15	16	17	18	19	20
Niveau 1	1	2	2	3	5	1	1	5	5	1	5	1	1	5	5	1	3	2	2	1
Niveau 2	1	2	2	3	6	2	2	6	6	2	6	2	2	6	6	2	3	2	2	1
Niveau 3	1	2	2	4	7	3	3	7	7	3	7	3	3	7	7	3	4	2	2	1
Niveau 4	1	2	2	5	8	4	4	8	8	4	8	4	4	8	8	4	5	2	2	1
Niveau 5	2	3	5	6	9	5	5	9	9	5	9	5	5	9	9	5	6	5	3	2
Niveau 6	2	3	5	7	10	6	6	10	10	6	10	6	6	10	10	6	7	5	3	2
Niveau 7	2	3	5	8	11	7	7	11	11	7	11	7	7	11	11	7	8	5	3	2
Niveau 8	2	3	5	9	12	8	8	12	12	8	12	8	8	12	12	8	9	5	3	2
Niveau 9	3	4	5	10	13	9	9	13	13	9	13	9	9	13	13	9	10	5	4	3
Niveau 10	3	4	8	11	14	10	10	14	14	10	14	10	10	14	14	10	11	8	4	3
Niveau 11	3	6	10	12	15	11	11	15	15	11	15	11	11	15	15	11	12	10	6	3
Niveau 12	3	6	10	13	16	12	12	16	16	12	16	12	12	16	16	12	13	10	6	3

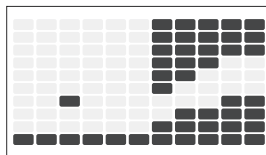
INTERVALLEN																				
	Warming-up				Programmasegmenten - Herhalen												Cool down			
Seconden	60	60	60	60	30	60	60	30	30	60	30	60	60	30	60	60	60	60	60	
Segment	1	2	3	4	5	6	7	8	9	10	11	12	13	14	15	16	17	18	19	20
Niveau 1	1	3	3	4	7	1	1	7	7	1	7	1	1	7	7	1	4	3	3	1
Niveau 2	1	3	3	4	9	3	3	9	9	3	9	3	3	9	9	3	4	3	3	1
Niveau 3	1	3	3	6	10	4	4	10	10	4	10	4	4	10	10	4	6	3	3	1
Niveau 4	1	3	3	7	12	6	6	12	12	6	12	6	6	12	12	6	7	3	3	1
Niveau 5	3	4	7	9	13	7	7	13	13	7	13	7	7	13	13	7	9	7	4	3
Niveau 6	3	4	7	10	15	9	9	15	15	9	15	9	9	15	15	9	10	7	4	3
Niveau 7	3	4	7	12	16	10	10	16	16	10	16	10	10	16	16	10	12	7	4	3
Niveau 8	3	4	7	13	18	12	12	18	18	12	18	12	12	18	18	12	13	7	4	3
Niveau 9	4	6	7	15	19	13	13	19	19	13	19	13	13	19	19	13	15	7	6	4
Niveau 10	4	6	12	16	21	15	15	21	21	15	21	15	15	21	21	15	16	12	6	4
Niveau 11	4	9	15	18	22	16	16	22	22	16	22	16	16	22	22	16	18	15	9	4
Niveau 12	4	9	15	19	24	18	18	24	24	18	24	18	18	24	24	18	19	15	9	4
Niveau 13	7	13	19	21	25	19	19	25	25	19	25	19	19	25	25	19	21	19	13	7
Niveau 14	7	13	19	22	27	21	21	27	27	21	27	21	21	27	27	21	22	19	13	7
Niveau 15	7	13	19	24	28	22	22	28	28	22	28	22	22	28	28	22	24	19	13	7
Niveau 16	7	13	19	25	30	24	24	30	30	24	30	24	24	30	30	24	25	19	13	7

(Comfort 4.0, 8.1, R8.0)

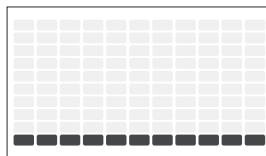




- 3) **SPEL:** Deze warming-up game simuleert een autorace. Om de auto op en neer te bewegen, trapt u sneller of langzamer. Probeer de obstakels te vermijden en blijf op koers. Uw resterende kansen worden op het bovenste lcd-scherm met 10 stippen weergegeven en elke keer dat u een obstakel raakt, wordt één stip verwijderd. U hebt maar 11 kansen om het circuit te voltooien, dus wees voorzichtig.

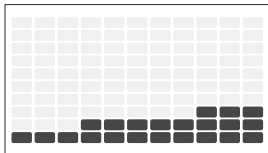


- 4) **FITNESSTEST:** Test uw huidige fysieke conditie. Houd het TPM tussen 60 en 80 tijdens de test. Het programma zal automatisch de weerstand veranderen tijdens de test volgens de getoonde grafiek. Probeer het TPM vast te houden tot u niet meer verder kunt. De console zal de tabel opzoeken en u een schatting geven van uw huidige fysieke conditie.



Score	Resultaat
1-4	Slecht
5-6	Matig
7-8	Gemiddeld
9-10	Goed
>10	Fantastisch

- 5) **GEWICHTSVERLIES:** Bevordert gewichtsverlies door het weerstandsniveau te verhogen en te verlagen, terwijl u in de vetverbrandingszone blijft. Programma op basis van tijd waarbij u uit 16 niveaus kunt kiezen. De gebruiker stelt de tijd en het niveau in met behulp van (omhoog/omlaag-pijlen) en ENTER. Drink voldoende water tijdens en na het sporten om de resultaten van het gewichtsverlies te verbeteren.



(Comfort 2.0)

GEWICHTSVERLIES																						
	Warming-up						Programmasegmenten - Herhalen												Cool down			
Seconden	60	60	60	60	60	60	60	60	60	60	60	60	60	60	60	60	60	60	60	60		
Segment	1	2	3	4	5	6	7	8	9	10	11	12	13	14	15	16	17	18	19	20		
Niveau 1	1	2	2	3	3	3	4	4	5	5	5	5	4	4	3	3	3	2	2	1		
Niveau 2	1	2	2	3	4	4	5	5	6	6	6	6	5	5	4	4	3	2	2	1		
Niveau 3	1	2	2	4	5	5	6	6	7	7	7	7	6	6	5	5	4	2	2	1		
Niveau 4	1	2	2	5	6	6	7	7	8	8	8	8	7	7	6	6	5	2	2	1		
Niveau 5	2	3	5	6	7	7	8	8	9	9	9	9	8	8	7	7	6	5	3	2		
Niveau 6	2	3	5	7	8	8	9	9	10	10	10	10	9	9	8	8	7	5	3	2		
Niveau 7	2	3	5	8	9	9	10	10	11	11	11	11	10	10	9	9	8	5	3	2		
Niveau 8	2	3	5	9	10	10	11	11	12	12	12	12	11	11	10	10	9	5	3	2		
Niveau 9	3	4	5	10	11	11	12	12	13	13	13	13	12	12	11	11	10	5	4	3		
Niveau 10	3	4	8	11	12	12	13	13	14	14	14	14	13	13	12	12	11	8	4	3		
Niveau 11	3	6	10	12	13	13	14	14	15	15	15	15	14	14	13	13	12	10	6	3		
Niveau 12	3	6	10	13	14	14	15	15	16	16	16	16	15	15	14	14	13	10	6	3		

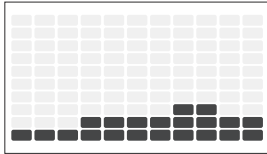
GEWICHTSVERLIES																						
	Warming-up						Programmasegmenten - Herhalen												Cool down			
Seconden	60	60	60	60	60	60	60	60	60	60	60	60	60	60	60	60	60	60	60	60		
Segment	1	2	3	4	5	6	7	8	9	10	11	12	13	14	15	16	17	18	19	20		
Niveau 1	1	3	3	4	4	4	6	6	7	7	7	7	6	6	4	4	4	3	3	1		
Niveau 2	1	3	3	4	6	6	7	7	9	9	9	9	7	7	6	6	4	3	3	1		
Niveau 3	1	3	3	6	7	7	9	9	10	10	10	10	9	9	7	7	6	3	3	1		
Niveau 4	1	3	3	7	9	9	10	10	12	12	12	12	10	10	9	9	7	3	3	1		
Niveau 5	3	4	7	9	10	10	12	12	13	13	13	13	12	12	10	10	9	7	4	3		
Niveau 6	3	4	7	10	12	12	13	13	15	15	15	15	13	13	12	12	10	7	4	3		
Niveau 7	3	4	7	12	13	13	15	15	16	16	16	16	15	15	13	13	12	7	4	3		
Niveau 8	3	4	7	13	15	15	16	16	18	18	18	18	16	16	15	15	13	7	4	3		
Niveau 9	4	6	7	15	16	16	18	18	19	19	19	19	18	18	16	16	15	7	6	4		
Niveau 10	4	6	12	16	18	18	19	19	21	21	21	21	19	19	18	18	16	12	6	4		
Niveau 11	4	9	15	18	19	19	21	21	22	22	22	22	21	21	19	19	18	15	9	4		
Niveau 12	4	9	15	19	21	21	22	22	24	24	24	24	22	22	21	21	19	15	9	4		
Niveau 13	7	13	19	21	22	22	24	24	25	25	25	25	24	24	22	22	21	19	13	7		
Niveau 14	7	13	19	22	24	24	25	25	27	27	27	27	25	25	24	24	22	19	13	7		
Niveau 15	7	13	19	24	25	25	27	27	28	28	28	28	27	27	25	25	24	19	13	7		
Niveau 16	7	13	19	25	27	27	28	28	30	30	30	30	28	28	27	27	25	19	13	7		

(Comfort 4.0, 8.1, R8.0)





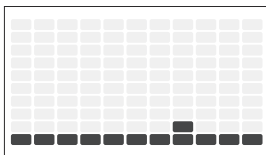
**6) GEWICHTSVERLIES PLUS:** Bevordert gewichtsverlies door het weerstandsniveau te verhogen en te verlagen, terwijl u in de vetverbrandingszone blijft. Tijdgebaseerd programma met 15 niveaus om uit te kiezen en een grotere intensiteit dan het gewichtsverliesprogramma. De gebruiker stelt de tijd en het niveau in met behulp van de pijlen omhoog/omlaag en ENTER. Drink voldoende water tijdens en na het sporten om de resultaten van het gewichtsverlies te verbeteren.



(Comfort 4.0, 8.1, R8.0)

GEWICHTSVERLIES PLUS																				
	Warming-up				Programmasegmenten - Herhalen												Cooling-down			
Seconden	60	60	60	60	60	60	60	60	60	60	60	60	60	60	60	60	60	60	60	
Segment	1	2	3	4	5	6	7	8	9	10	11	12	13	14	15	16	17	18	19	20
Niveau 1	1	3	3	4	6	4	6	7	7	4	6	9	9	7	6	4	4	3	3	1
Niveau 2	3	4	4	4	7	6	7	9	9	6	7	10	10	9	7	6	4	4	4	3
Niveau 3	3	4	6	6	9	7	9	10	10	7	9	12	12	10	9	7	6	6	4	3
Niveau 4	3	6	6	7	10	9	10	12	12	9	10	13	13	12	10	9	7	6	6	3
Niveau 5	4	6	7	9	12	10	12	13	13	10	12	15	15	13	12	10	9	7	6	4
Niveau 6	4	7	9	9	13	12	13	15	15	12	13	16	16	15	13	12	9	9	7	4
Niveau 7	6	9	10	10	15	13	15	16	16	13	15	18	18	16	15	13	10	10	9	6
Niveau 8	6	9	10	12	16	15	16	18	18	15	16	19	19	18	16	15	12	10	9	6
Niveau 9	6	10	12	13	18	16	18	19	19	16	18	21	21	19	18	16	13	12	10	6
Niveau 10	7	10	13	13	19	18	19	21	21	18	19	22	22	21	19	18	13	13	10	7
Niveau 11	7	12	13	15	21	19	21	22	22	19	21	24	24	22	21	19	15	13	12	7
Niveau 12	9	13	15	16	22	21	22	24	24	21	22	25	25	24	22	21	16	15	13	9
Niveau 13	9	13	16	18	24	22	24	25	25	22	24	27	27	25	24	22	18	16	13	9
Niveau 14	9	15	16	18	25	24	25	27	27	24	25	28	28	27	25	24	18	16	15	9
Niveau 15	10	15	18	19	27	25	27	28	28	25	27	30	30	28	27	25	19	18	15	10

7) **ROLLENDE HEUVELS:** Houdt het gewicht op peil door het weerstandsniveau geleidelijk te verhogen en te verlagen om de hartslag geleidelijk te verhogen en te verlagen.



(Comfort 2.0)

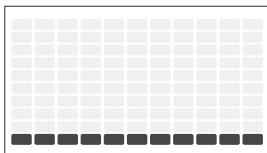
ROLLENDE HEUVELS																				
	Warming-up				Programmasegment												Cooling-down			
Seconden	60	60	60	60	30	30	30	30	30	30	30	30	30	30	60	60	60	60		
Segment	1	2	3	4	5	6	7	8	9	10	11	12	13	14	15	16	17	18		
Niveau 1	1	1	2	2	1	2	3	4	3	2	1	2	3	2	1	1	1	1		
Niveau 2	1	2	2	3	2	3	4	5	4	3	2	1	2	3	2	1	1	1		
Niveau 3	2	2	3	3	3	4	5	6	7	8	7	6	5	4	2	1	1	1		
Niveau 4	2	3	3	4	4	5	6	7	8	9	8	7	6	5	3	1	1	1		
Niveau 5	3	4	4	4	5	6	7	8	9	10	9	8	7	6	3	3	2	1		
Niveau 6	3	5	4	5	6	7	8	9	10	10	10	9	8	7	4	3	2	1		
Niveau 7	4	5	5	5	7	7	8	8	9	9	10	10	9	8	4	3	2	1		
Niveau 8	4	5	5	5	8	8	9	9	10	10	11	11	10	9	4	3	2	1		
Niveau 9	4	5	5	5	9	9	10	10	11	11	12	12	11	10	5	4	3	1		
Niveau 10	4	5	6	6	10	10	11	11	12	12	13	13	12	11	6	5	4	1		
Niveau 11	4	5	7	7	11	11	12	12	13	13	14	14	13	12	6	5	4	1		
Niveau 12	4	5	8	8	12	12	13	13	14	14	15	15	14	13	7	6	5	1		
Niveau 13	4	5	9	9	13	13	14	14	15	15	16	16	15	14	7	6	5	1		
Niveau 14	4	5	9	9	14	14	15	15	16	16	17	17	16	15	8	7	6	1		

(Comfort 4.0, 8.1, R8.0)

ROLLENDE HEUVELS																				
	Warming-up				Programmasegment												Cooling-down			
Seconden	60	60	60	60	30	30	30	30	30	30	30	30	30	30	60	60	60	60		
Segment	1	3	4	6	7	9	10	12	13	15	16	18	19	21	22	24	25	27		
Niveau 1	1	1	3	3	1	3	4	6	4	3	1	3	4	3	1	1	1	1		
Niveau 2	1	3	3	4	3	4	6	7	6	4	3	1	3	4	3	1	1	1		
Niveau 3	3	3	4	4	4	6	7	9	10	12	10	9	7	6	3	1	1	1		
Niveau 4	3	4	4	6	6	7	9	10	12	13	12	10	9	7	4	1	1	1		
Niveau 5	4	6	6	6	7	9	10	12	13	15	13	12	10	9	4	4	3	1		
Niveau 6	4	7	6	7	9	10	12	13	15	15	15	13	12	10	6	4	3	1		
Niveau 7	6	7	7	7	10	10	12	12	13	13	15	15	13	12	6	4	3	1		
Niveau 8	6	7	7	7	12	12	13	13	15	15	16	16	15	13	6	4	3	1		
Niveau 9	6	7	7	7	13	13	15	15	16	16	18	18	16	15	7	6	4	1		
Niveau 10	6	7	9	9	15	15	16	16	18	18	19	19	18	16	9	7	6	1		
Niveau 11	6	7	10	10	16	16	18	18	19	19	21	21	19	18	9	7	6	1		
Niveau 12	6	7	12	12	18	18	19	19	21	21	22	22	21	19	10	9	7	1		
Niveau 13	6	7	13	13	19	19	21	21	22	22	24	24	22	21	10	9	7	1		
Niveau 14	6	7	13	13	21	21	22	22	24	24	25	25	24	22	12	10	9	1		



- 8) **KADANS:** Speciaal fietstrainingsprogramma om uw uithoudingsvermogen op te bouwen en uw uithoudingsvermogen te vergroten. Dit programma verhoogt geleidelijk het weerstandsniveau en vraagt u om met lage snelheid (L), gemiddelde snelheid (M) of hoge snelheid (H) te fietsen om uw fitness-doel te bereiken.



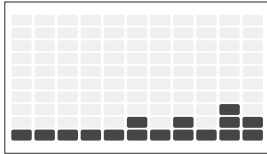
(Comfort 2.0)

KADANS																				
	Warm-up				L	M	L	H	M	L	H	M	L	H	M	L	Cool down			
Seconden	60	60	60	60	90	45	90	30	45	90	30	45	90	30	45	90	60	60	60	60
Segment	1	2	3	4	5	6	7	8	9	10	11	12	13	14	15	16	17	18	19	20
Niveau 1	2	1	1	2	3	2	3	1	2	3	1	2	3	1	2	3	2	1	1	1
Niveau 2	1	1	1	2	4	3	4	2	3	4	2	3	4	2	3	4	2	1	1	1
Niveau 3	1	1	1	2	5	4	5	3	4	5	3	4	5	3	4	5	2	1	1	1
Niveau 4	1	1	1	3	6	5	6	4	5	6	4	5	6	4	5	6	3	1	1	1
Niveau 5	1	2	3	3	7	6	7	5	6	7	5	6	7	5	6	7	3	3	2	1
Niveau 6	1	2	3	4	8	7	8	6	7	8	6	7	8	6	7	8	4	3	2	1
Niveau 7	1	2	3	4	9	8	9	7	8	9	7	8	9	7	8	9	4	3	2	1
Niveau 8	1	2	3	5	10	9	10	8	9	10	8	9	10	8	9	10	5	3	2	1
Niveau 9	1	1	1	2	11	10	11	9	10	11	9	10	11	9	10	11	2	1	1	1
Niveau 10	1	1	1	2	12	11	12	10	11	12	10	11	12	10	11	12	2	1	1	1
Niveau 11	2	2	2	3	13	12	13	11	12	13	11	12	13	11	12	13	2	1	1	1
Niveau 12	3	3	3	4	14	13	14	12	13	14	12	13	14	12	13	14	3	1	1	1
Niveau 13	3	4	4	5	15	14	15	13	14	15	13	14	15	13	14	15	3	3	2	1
Niveau 14	3	4	5	6	16	15	16	14	15	16	14	15	16	14	15	16	4	3	2	1

(Comfort 4.0, 8.1, R8.0)

KADANS																				
	Warm-up				L	M	L	H	M	L	H	M	L	H	M	L	Cool down			
Seconden	60	60	60	60	90	45	90	30	45	90	30	45	90	30	45	90	60	60	60	60
Segment	1	2	3	4	5	6	7	8	9	10	11	12	13	14	15	16	17	18	19	20
Niveau 1	3	1	1	3	4	3	4	1	3	4	1	3	4	1	3	4	3	1	1	1
Niveau 2	1	1	1	3	6	4	6	3	4	6	3	4	6	3	4	6	3	1	1	1
Niveau 3	1	1	1	3	7	6	7	4	6	7	4	6	7	4	6	7	3	1	1	1
Niveau 4	1	1	1	4	9	7	9	6	7	9	6	7	9	6	7	9	4	1	1	1
Niveau 5	1	3	4	4	10	9	10	7	9	10	7	9	10	7	9	10	4	4	3	1
Niveau 6	1	3	4	6	12	10	12	9	10	12	9	10	12	9	10	12	6	4	3	1
Niveau 7	1	3	4	6	13	12	13	10	12	13	10	12	13	10	12	13	6	4	3	1
Niveau 8	1	3	4	7	15	13	15	12	13	15	12	13	15	12	13	15	7	4	3	1
Niveau 9	1	1	1	3	16	15	16	13	15	16	13	15	16	13	15	16	3	1	1	1
Niveau 10	1	1	1	3	18	16	18	15	16	18	15	16	18	15	16	18	3	1	1	1
Niveau 11	3	3	3	4	19	18	19	16	18	19	16	18	19	16	18	19	3	1	1	1
Niveau 12	4	4	4	6	21	19	21	18	19	21	18	19	21	18	19	21	4	1	1	1
Niveau 13	4	6	6	7	22	21	22	19	21	22	19	21	22	19	21	22	4	4	3	1
Niveau 14	4	6	7	9	24	22	24	21	22	24	21	22	24	21	22	24	6	4	3	1
Niveau 15	4	7	9	10	25	24	25	22	24	25	22	24	25	22	24	25	6	4	3	1
Niveau 16	6	9	10	12	27	25	27	24	25	27	24	25	27	24	25	27	7	4	3	1

9) **WILLEKEURIG:** Speciaal ontworpen programma op basis van diagrammen dat weerstand simuleert die willekeurig wordt veranderd.



(Comfort 2.0)

WILLEKEURIG																		
	Warming-up						Programmasegment						Cooling-down					
Seconden	60	60	60	60	60	60	60	60	60	60	60	60	60	60	60	60	60	60
Segment	1	2	3	4	5	6	7	8	9	10	11	12	13	14	15	16	17	18
Niveau 1	1	1	2	2	1	3	5	2	4	7	2	3	6	1	1	1	1	1
Niveau 2	1	2	2	3	2	4	6	3	5	8	3	4	7	2	2	1	1	1
Niveau 3	2	2	3	3	3	5	7	4	6	9	4	5	8	3	2	1	1	1
Niveau 4	2	3	3	4	4	6	8	5	7	10	5	6	9	4	3	1	1	1
Niveau 5	3	4	4	4	5	7	9	6	8	11	6	7	10	5	3	3	2	1
Niveau 6	3	5	4	5	6	8	10	7	9	12	7	8	11	6	4	3	2	1
Niveau 7	4	5	5	5	7	9	11	8	10	13	8	9	12	7	4	3	2	1
Niveau 8	4	5	5	5	8	10	12	9	11	14	9	10	13	8	4	3	2	1
Niveau 9	4	5	5	5	9	11	13	10	12	15	10	11	14	9	5	4	3	1
Niveau 10	4	5	6	6	10	12	14	11	13	16	11	12	15	10	5	4	3	1

WILLEKEURIG																		
	Warming-up						Programmasegment						Cooling-down					
Seconden	60	60	60	60	60	60	60	60	60	60	60	60	60	60	60	60	60	60
Segment	1	2	3	4	5	6	7	8	9	10	11	12	13	14	15	16	17	18
Niveau 1	1	1	3	3	1	4	7	3	6	10	3	4	9	1	1	1	1	1
Niveau 2	1	3	3	4	3	6	9	4	7	12	4	6	10	3	3	1	1	1
Niveau 3	3	3	4	4	4	7	10	6	9	13	6	7	12	4	3	1	1	1
Niveau 4	3	4	4	6	6	9	12	7	10	15	7	9	13	6	4	1	1	1
Niveau 5	4	6	6	6	7	10	13	9	12	16	9	10	15	7	4	4	3	1
Niveau 6	4	7	6	7	9	12	15	10	13	18	10	12	16	9	6	4	3	1
Niveau 7	6	7	7	7	10	13	16	12	15	19	12	13	18	10	6	4	3	1
Niveau 8	6	7	7	7	12	15	18	13	16	21	13	15	19	12	6	4	3	1
Niveau 9	6	7	7	7	13	16	19	15	18	22	15	16	21	13	7	6	4	1
Niveau 10	6	7	9	9	15	18	21	16	19	24	16	18	22	15	7	6	4	1
Niveau 11	6	7	10	10	16	19	22	18	21	25	18	19	24	16	9	7	6	1
Niveau 12	6	7	12	12	18	21	24	19	22	27	19	21	25	18	9	7	6	1
Niveau 13	6	7	13	13	19	22	25	21	24	28	21	22	27	19	10	9	7	1
Niveau 14	6	7	13	13	21	24	27	22	25	30	22	24	28	21	10	9	7	1

(Comfort 4.0, 8.1, R8.0)

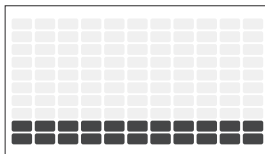






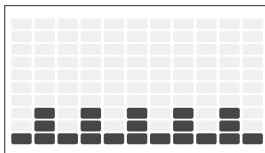
**10) CONSTATE WATTS:** Deze training past automatisch de weerstand aan om u binnen een bepaald wattbereik te houden en houdt uw gewenste trainingsintensiteit op peil.

- 1) Selecteer het constante wattprogramma met ▲ ▼ en druk op ENTER.
- 2) Stel de tijd in met ▲ ▼ en druk op ENTER.
- 3) Selecteer het aantal gewenste watts met ▲ ▼ en druk op ENTER.
- 4) Druk op START ►|| om het programma te starten.



**11) INTERVAL WATTPROGRAMMA:** Hiermee kunt u een hoge wattwaarde en een lage wattwaarde kiezen. Het intervalprogramma zal schakelen tussen hoge en lage wattwaarden, wat zorgt voor een zeer intensieve en effectieve training.

- 1) Selecteer het constante wattprogramma en druk op enter.
- 2) Stel de tijd in en druk op enter.
- 3) Selecteer het gewenste lage-wattdoel en druk op enter.
- 4) Selecteer het gewenste hoge-wattdoel en druk op enter.
- 5) Druk op START ►|| om het programma te starten.

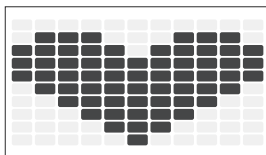


Let op: Het watts-programma's is TPM-gerelateerd. De weerstand zal automatisch veranderen volgens uw trapsnelheid en zorgt ervoor dat u uw training in uw doelwatt houdt. Trap niet te langzaam of te snel. Als u zich buiten de doelzone bevindt, zal het lcd-scherm naast de TPM-kolom een pijltje tonen om aan te geven dat u uw snelheid moet aanpassen. Bovenste pijl voor het versnellen van uw TPM en pijl naar beneden voor het vertragen van uw training.

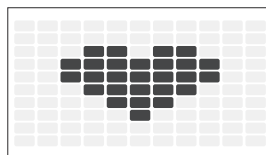


**12) THR-ZONE:** Simuleert de intensiteit van uw favoriete sport. De programmaweerstand past zich automatisch aan om een ingesteld streefhartslagbereik te behouden. (Hierbij kan de borstriem worden gebruikt. U kunt de borstriem bij uw dealer kopen)

- 1) Selecteer het THR-Zone programma met ▲ ▼ en druk op ENTER.
- 2) Selecteer TIJD met ▲ ▼ en druk op ENTER.
- 3) Het HARTSLAG-venster zal knipperen met de streefhartslag van 80 slagen per minuut. Selecteer uw streefhartslag (uit de hartslagtrainingskaart) met ▲ ▼ en druk op ENTER.
- 4) Druk op START ►|| om te beginnen.



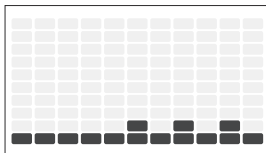
**13) % THR:** Voordelen van gewichtsverlies door het behoud van een optimaal trainingsniveau om vet te verbranden, terwijl de weerstand wordt aangepast om u in uw doelhartslagzone te houden. Stel eerst uw persoonlijke gegevens in (uw apparaat berekent automatisch uw maximale trainingshartslag) en selecteer het percentage dat u wilt trainen op basis van uw maximale hartslag. (Hierbij kan de borstriem worden gebruikt. U kunt de borstriem bij uw dealer kopen)



Let op: Het hartslagprogramma is gebaseerd op uw hartslagdoel. De weerstand verandert automatisch afhankelijk van uw trapsnelheid en zorgt ervoor dat u uw training in uw streefhartslag houdt. Trap niet te langzaam of te snel. Als u zich buiten de doelzone bevindt, toont het lcd-scherm een pijltje naast de TPM-kolom om u te vertellen dat u uw snelheid moet aanpassen. Bovenste pijl voor het versnellen van uw TPM en pijl naar beneden voor het vertragen van uw training.



**14) KRACHTOPBOUW:** Help u geleidelijk aan uw spierkracht te vergroten met een vooraf ingesteld trainingsprogramma. Programma op basis van tijd waarbij u uit 20 niveaus kunt kiezen. De gebruiker stelt de tijd en het niveau in met behulp van (omhoog/omlaag-pijlen) en ENTER.



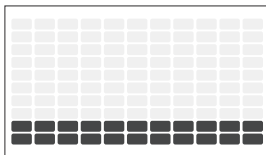
		KRACHTOPBOUW																					
		Warming-up				Programmasegmenten - Herhalen												Cooling-down					
Seconden	Segment	60	60	60	60	60	60	60	60	60	60	60	60	60	60	60	60	60	60	60			
Niveau 1	1	1	1	3	3	1	4	1	4	1	4	1	4	1	4	1	4	3	3	1	1		
Niveau 2	1	1	1	3	3	3	4	3	6	3	4	3	6	3	4	3	6	3	3	1	1		
Niveau 3	1	1	1	3	3	4	4	3	4	4	3	4	4	3	4	4	3	3	3	1	1		
Niveau 4	1	3	3	4	6	6	3	6	6	3	6	6	3	6	6	3	6	3	4	3	3	1	
Niveau 5	3	4	4	4	4	7	4	7	4	7	4	7	4	7	4	7	4	7	4	4	4	3	
Niveau 6	3	4	6	6	6	9	6	9	6	9	6	9	6	9	6	9	6	9	6	6	4	3	
Niveau 7	4	6	7	9	9	12	7	12	9	10	7	12	9	10	7	12	9	7	6	4			
Niveau 8	4	6	7	9	12	12	9	12	12	9	12	12	9	12	12	9	12	9	7	6	4		
Niveau 9	6	9	10	10	12	15	12	15	12	15	12	15	12	15	12	15	12	15	10	10	9	6	
Niveau 10	6	9	10	10	15	15	12	15	15	12	15	15	12	15	15	12	15	12	10	10	9	6	
Niveau 11	6	10	12	13	15	18	15	18	15	18	15	18	15	18	15	18	15	18	13	12	10	6	
Niveau 12	6	10	12	13	18	18	15	18	18	15	18	18	15	18	18	15	18	18	15	13	12	10	6
Niveau 13	7	12	13	15	18	21	18	21	18	21	18	21	18	21	18	21	18	21	15	13	12	7	
Niveau 14	7	12	13	15	21	21	18	21	21	18	21	21	18	21	21	18	21	21	18	15	13	12	7
Niveau 15	9	13	16	18	21	24	21	24	21	24	21	24	21	24	21	24	21	24	18	16	13	9	
Niveau 16	9	13	16	18	24	24	21	24	24	21	24	24	21	24	24	21	24	21	18	16	13	9	
Niveau 17	9	15	16	18	25	25	22	25	25	22	25	25	22	25	25	22	25	22	18	16	15	9	
Niveau 18	10	15	18	19	27	27	24	27	27	24	27	27	24	27	27	24	27	24	19	18	15	10	
Niveau 19	10	16	19	21	28	28	25	28	28	25	28	28	25	28	28	25	28	28	25	21	19	16	10
Niveau 20	12	18	21	22	30	30	25	30	30	25	30	30	25	30	30	25	30	30	25	22	21	18	12

(Comfort 4.0, 8.1, R8.0)



### 15)AANGEPAST 1& 2: Aangepaste training, tijd standaard op 15 minuten. (Comfort 3 heeft geen aangepast 2)

- 1) Voer eerst de programma-instelling in en de profielweergave leidt u door alle trainingskolommen.
- 2) Gebruik de bovenste en onderste pijl om de weerstand te veranderen en druk op enter om te bevestigen.  
Console zal uw huidige segmentnummer tonen en zal u begeleiden door segment 1 tot en met segment 15.
- 3) Druk na afloop van alle instellingen op START ►|| om te beginnen.



## HARTSLAGTRAINING

De eerste stap om de juiste intensiteit voor uw training te weten te komen is om uw maximale hartslag te bepalen (max HR = 220 – uw leeftijd). De methode gebaseerd op leeftijd biedt een gemiddelde statistische voorspelling van uw maximale hartslag en is een goede methode voor de meeste mensen, vooral diegenen die voor het eerst trainen op basis van hartslag. De meest exacte en nauwkeurige manier om uw individuele maximale hartslag (max HR) te bepalen is om deze klinisch te laten testen door een cardioloog of trainingsfysioloog met behulp van een maximale stresstest. Als u ouder bent dan 40 jaar, overgewicht heeft, al meerdere jaren een zittend leven leidt of als er hart- en vaatziekten in uw familie voorkomen raden wij u aan een klinische test te ondergaan. Deze tabel geeft voorbeelden van het hartslagbereik van iemand van 30 jaar oud die in 5 verschillende hartslagzones traint. De max HR van iemand van 30 jaar oud is bijvoorbeeld 220 – 30 = 190 bpm, en 90% van de max HR is dus  $190 \times 0,9 = 171$  bpm.


Doelhartslagzone	Trainingsduur	Voorbeeld THR Zone (doelhartslag) (leeftijd 30)	Uw THR-Zone	Aanbevolen bij
<b>ZEER ZWAAR</b> 90 – 100%	< 5 MIN	171 – 190 BPM		Fitte personen voor atletische training
<b>ZWAAR</b> 80 – 90%	2 – 10 MIN	152 – 171 BPM		Kortere trainingen
<b>MATIG</b> 70 – 80%	10 – 40 MIN	133 – 152 BPM		Matig lange trainingen
<b>LICHT</b> 60 – 70%	40 – 80 MIN	114 – 133 BPM		Langere en vaak herhaalde kortere oefeningen
<b>ZEER LICHT</b> 50 – 60%	20 – 40 MIN	104 – 114 BPM		Gewichtscntrole en actief herstel

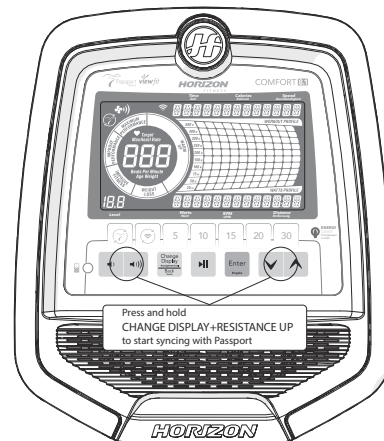
## UW MEDIASPELER GEBRUIKEN



- 1) Sluit de meegeleverde ADAPTERKABEL VOOR AUDIO aan op de AUDIO IN-AANSLUITING op de console en de hoofdtelefoonaansluiting op uw mediaspeler.
- 2) Gebruik de knoppen van mediaspeler om de instellingen aan te passen.
- 3) Verwijder de AUDIO-ADAPTERKABEL als u deze niet gebruikt.

## SYNCHRONISEREN FIETS MET PASSPORT (NIET BIJ COMFORT 2.0)

- 1) Gebruik de pijltjestoets op de Passport-afstandsbediening om naar het instelpictogram te scrollen en druk op de knop Selecteren.
- 2) Volg de instructies op het scherm en druk  gedurende 3-5 seconden in.
- 3) Zodra uw synchronisatie succesvol is, zal de berichtenbalk van uw fiets veranderen van RF Sync naar Passport Ready.
- 4) Het bericht op het scherm meldt of de synchronisatie succesvol of mislukt is.



## ENERGIESPAARSTAND

Dit apparaat heeft een energiespaarstand. Als de energiespaarstand geactiveerd is zal het display na 15 minuten van inactiviteit automatisch naar de standby-modus overschakelen (energiespaarstand). Deze functie bespaart energie door de meeste voeding naar het toestel uit te schakelen tot er een knop op de console wordt ingedrukt. U kunt deze functie in- en uitschakelen in het technische menu.

## TECHNISCHE MODUS:

Om toegang te krijgen tot het technische menu houdt u ▲ en ▼ 3-5 seconden ingedrukt.

### SCHAKELEN TUSSEN BRITSE EN METRISCHE EENHEDEN

Gebruik de ▲ en ▼ pijltjestoetsen om naar Eng2 te gaan en druk op Enter. Gebruik de Enter-toets om naar P1 te gaan. Gebruik de ▲ en ▼ pijltjestoetsen om te wisselen tussen STANDARD (BRITISH) en METRIC.

### TAAL VERANDEREN

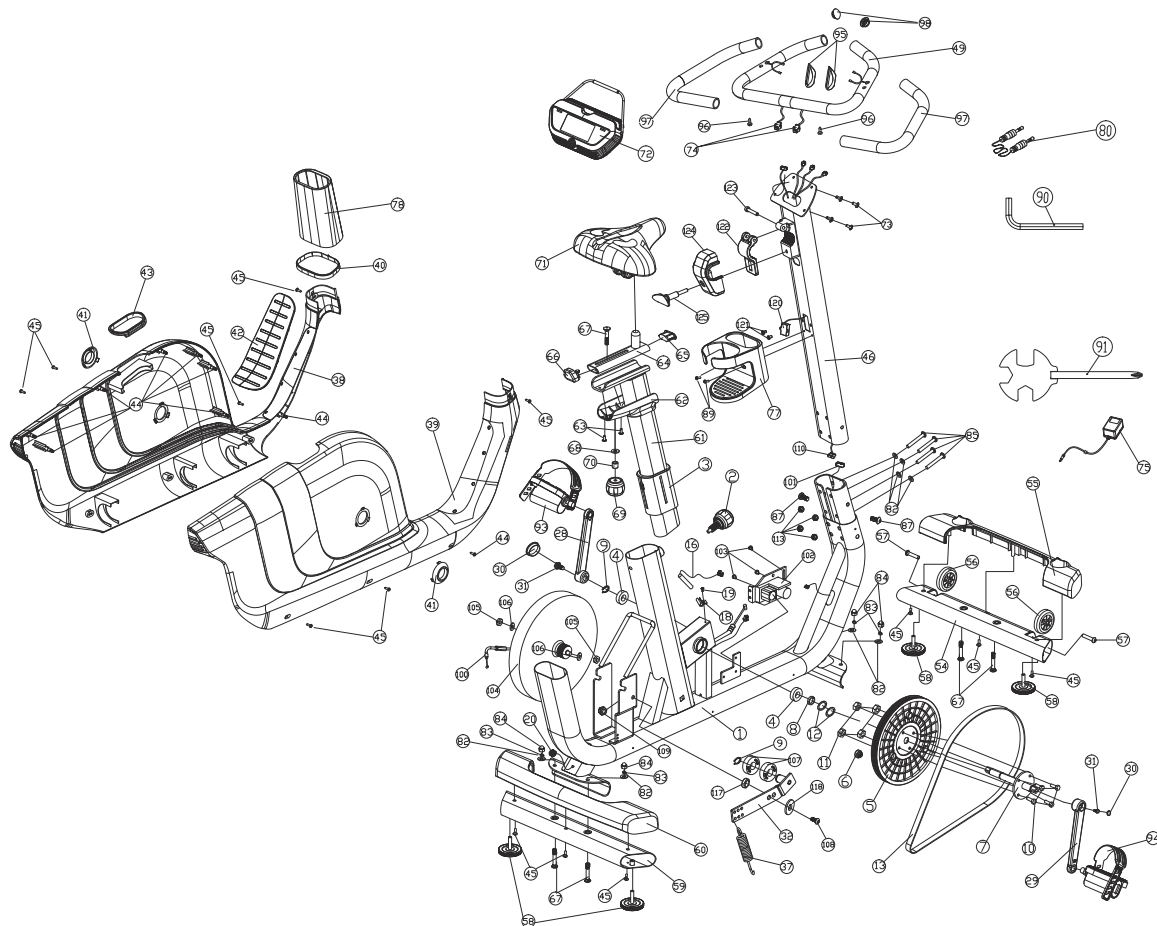
Gebruik de ▲ en ▼ pijltjestoetsen om naar Eng2 te gaan en druk op Enter. Gebruik de Enter-toets om naar P2 te gaan. Druk op ENTER om de taalmodus te selecteren, gebruik de pijltjestoetsen om de gewenste taal te selecteren. Houd STOP ► 3-5 seconden ingedrukt om ENG2 te verlaten. Houd STOP opnieuw ► 3-5 seconden ingedrukt om het technische menu te verlaten.

### ENERGIESPAARSTAND IN- EN UITSCHAKELEN

Gebruik de ▲ en ▼ pijltjestoetsen om naar Eng2 te gaan en druk op Enter. Gebruik de Enter-toets om naar P5 te gaan. Druk op ENTER om de energiespaarstand te kiezen, gebruik de ▲ en ▼ pijltjestoetsen om ENERGY SAVE ON of OFF te kiezen. Houd STOP ► 3-5 seconden ingedrukt om ENG 2 te verlaten. Houd STOP ► opnieuw 3-5 seconden ingedrukt om het technische menu te verlaten.



## COMFORT 2.0 ONDERDELENDIAGRAM



## COMFORT 2.0 ONDERDELENLIJST

NR.	OMSCHRIJVING	AANTAL
1	HOOFDFRAME	1
2	POP-PEN	1
3	BINNENBUS	1
4	LAGER	2
5	AANDRIJFPOELIE	1
6	MAGNEET	1
7	TRANSMISSIEAS	1
8	AFSTANDBUS	1
9	C-CLIP	1
9	C-CLIP	1
10	BINNENZESKANTSCHROEF	4
11	NYLON MOER	4
12	GEGOLFDE RING	2
13	RIEM	1
16	SENSORKABEL	1
18	RONDE SENSOR KUNSTSTOF BEVESTIGING	1
19	RONDE PHILIPS SCHROEF ZELFTAPPEND	1
20	NETSNOER	1
28	LINKER CRANK	1
29	RECHTER CRANK	1
30	CRANKAFDEKKING	2
31	HEX FLENSSCHROEF	2
32	VRIJLOOP WIELBEVESTIGINGSPLAAT	1
37	VRIJLOOP WIEL SPANVEER	1
38	BESCHERMKRAAG LINKS	1

NR.	OMSCHRIJVING	AANTAL
39	BESCHERMKRAAG RECHTS	1
40	DECORATIEVE RING CONSOLEMAST	1
41	DECORATIEVE RING CRANK	2
42	RUBBER STAP-PAD	1
43	ZADELPEN ONDERSTEUNING-PAD	1
44	CLIP	8
45	TRUSS PHILIPS ZELFTAPPENDE SCHROEF	14
46	CONSOLEMAST	1
54	VOORSTABILISATOR	1
55	AFDEKKING VOORSTABILISATOR	1
56	TRANSPORTWIEL	2
57	TRUSS ZESKANTSCHROEF	2
58	STELVOET	4
59	ACHTERSTABILISATOR	1
60	AFDEKKING ACHTERSTABILISATOR	1
61	ZADELPEN	1
62	ZADELPEN AFDEKKING	1
63	RONDE PHILIPSSCHROEF	2
64	ZADEL ONDERSTEUNINGSAS	1
65	EINDKAP	1
66	HANDOEKHAAK	1
67	SLEDESCHROEF	9
68	SLUITRING	1
69	KNOP	1
70	AFSTANDBUS	1

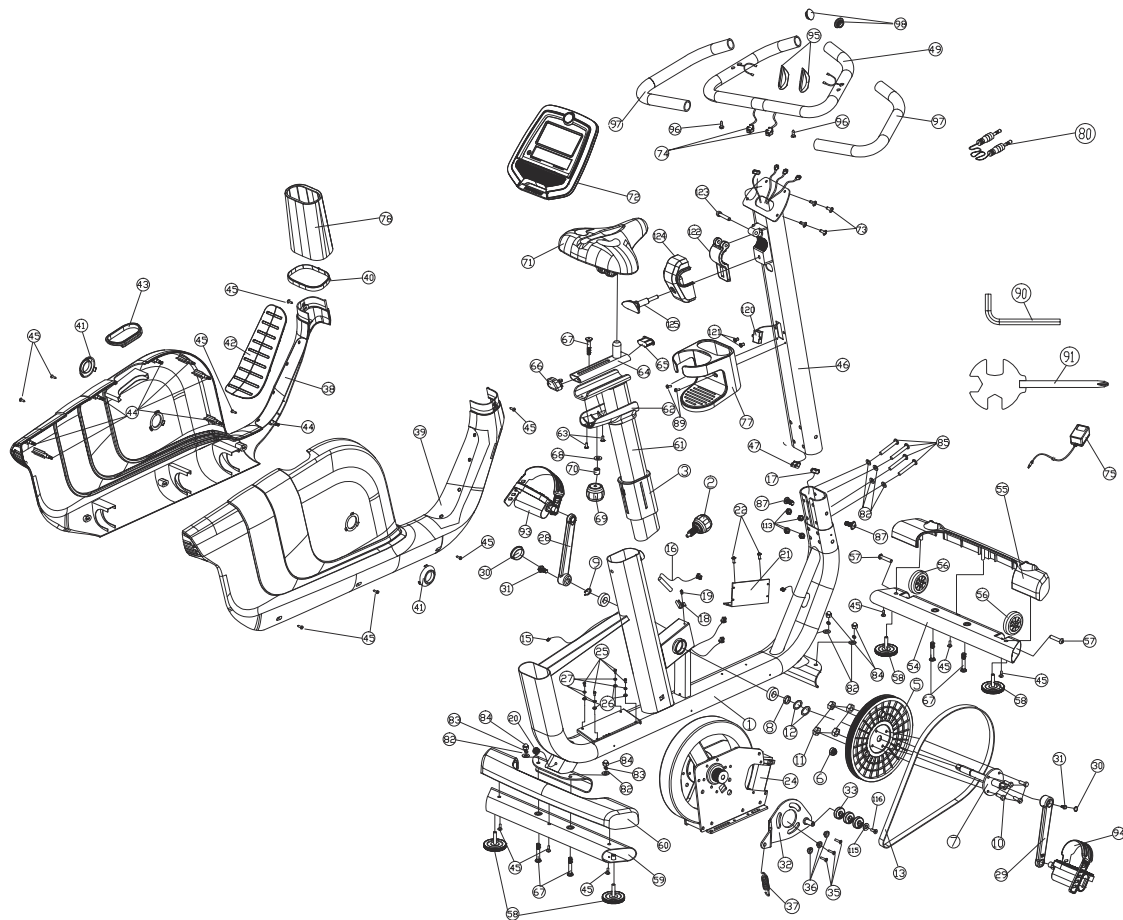


## COMFORT 2.0 ONDERDELENLIJST

NR.	OMSCHRIJVING	AANTAL
71	ZADELPAD	1
72	CONSOLE	1
73	TRUSS PHILIPSSCHROEF	4
74	HANDGREEP HR-SENSORKABEL	2
75	NETVOEDING	1
77	BIDONHOUDER B	1
78	CONSOLEMASTSCHOEN	1
80	AUDIOKABEL	1
82	SLUITRING	20
83	VEERRING	12
84	MOER	12
85	TRUSS ZESKANTSCHROEF	8
87	TRUSS ZESKANTSCHROEF	4
89	CONTRA PHILIPSSCHROEF	4
90	HEX-SLEUTEL	2
91	"PLUS"-SLEUTEL	2
93	PEDAAL LINKS	1
94	RECHTER PEDAAL	1
95	HANDGREEP HR-SENSOR	2
96	TRUSS PHILIPS ZELFTAPPENDE SCHROEF ST4X25	2
97	SCHUIMGREEP	1
98	TRUSS EINDKAP	2
100	VERSTELKABEL	1
101	ONDERSTE CONSOLEKABEL	1
102	MOTOR	1

NR.	OMSCHRIJVING	AANTAL
103	RONDE PHILIPSSCHROEF	3
104	VLIEGWIEL	1
105	BINNENZESKANT FLENSMOER	2
106	SLUITRING	2
107	LAGER	2
108	PLATKOP ZESKANTSCHROEF	1
109	NYLON MOER	1
110	MIDDEN CONSOLEKABEL	1
113	NYLON MOER	4
117	AFSTANDBUS	1
118	SLUITRING	1
120	DRAADLOZE HANDPULSONTVANGER	1
121	CONTRA VERZONKEN PHILIPS ZELFTAPPENDE SCHROEF	2
49+97	HANDGREEP MET SCHUIMGREEP	1
122	KLEM	1
123	BINNENZESKANT CAP-SCHROEF	1
124	HANDGREEP AFDEKKING	1
125	T-KNOP	1

# COMFORT 4.0/ 8.1 ONDERDELENDIAGRAM



## COMFORT 4.0/ 8.1 ONDERDELENLIJST

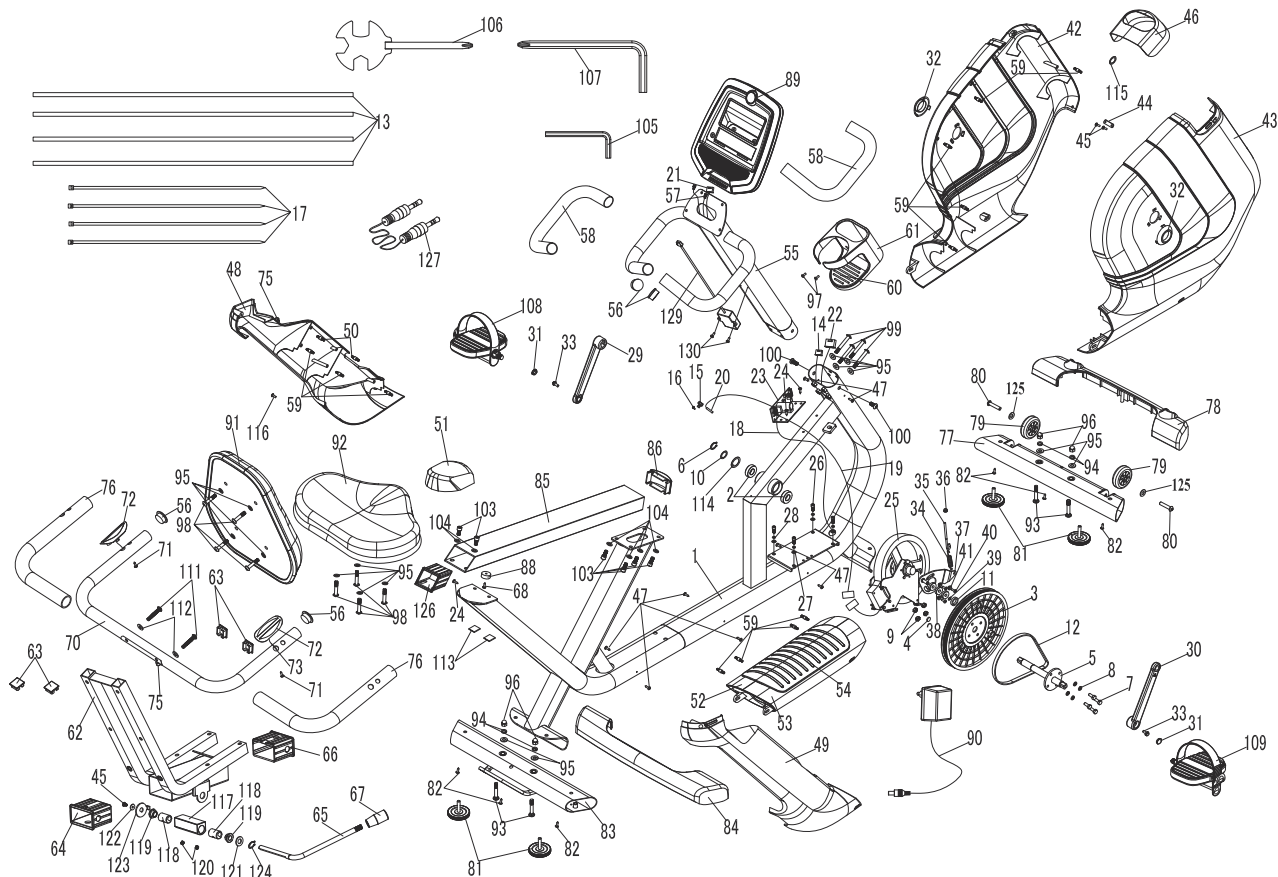
NR.	OMSCHRIJVING	AANTAL
2	POP-PEN	1
3	BINNENBUS	1
4	LAGER	1
5	AANDRIJFPOELIE	1
6	MAGNEET	1
7	TRANSMISSIEAS; NIEUW;	1
8	AFSTANDBUS; NIEUW;	1
9	C-CLIP	1
10	BINNENZESKANTSCHROEF; NIEUW;	1
11	NYLON MOER	1
12	GEGOLFDE RING	1
13	RIEM	1
15	INDUCTIE-ONDERSTE REGELAAR	1
16	SENSORKABEL	1
17	ONDERSTE CONSOLEKABEL	1
18	RONDE SENSOR KUNSTSTOF BEVESTIGING	1
19	RONDE PHILIPS SCHROEF ZELFTAPPEND	1
20	NETSNOER	1
21	ONDERSTE REGELPANEEL	1
22	TRUSS PHILIPS ZELFTAPPENDE SCHROEF	1
24	INDUCTIE VliegWIEL	1
25	RONDKOP ZESKANTSCHROEF	1
26	SLUITRING	1
27	VEERRING	1
28	LINKER CRANK	1

NR.	OMSCHRIJVING	AANTAL
29	RECHTER CRANK	1
30	CRANKAFDEKKING	1
31	HEX FLENSSCHROEF	1
32	VRIJLOOP WIELBEVESTIGINGSPLAAT; NIEUW;	1
33	LAGER	1
35	CONTRA PHILIPSSCHROEF	1
36	HULS	1
37	VRIJLOOP WIEL SPANVEER	1
38	BESCHERMKRAAG LINKS	1
39	BESCHERMKRAAG RECHTS	1
40	DECORATIEVE RING CONSOLEMAST	1
41	DECORATIEVE RING CRANK	1
42	RUBBER STAP-PAD	1
43	ZADELPEN ONDERSTEUNING-PAD	1
44	CLIP	1
45	TRUSS PHILIPS ZELFTAPPENDE SCHROEF	1
46	CONSOLEMAST	1
47	MIDDEN CONSOLEKABEL	1
49+97	HANDGREEP	1
54	VOORSTABILISATOR	1
55	AFDEKKING VOORSTABILISATOR	1
56	TRANSPORTWIEL	1
57	TRUSS ZESKANTSCHROEF	1
58	STELVOET	1
59	REAR STABILIZER	1

NR.	OMSCHRIJVING	AANTAL
60	AFDEKKING ACHTERSTABILISATOR	1
61	ZADELPEN	1
62	ZADELPEN AFDEKKING	1
63	RONDE PHILIPSSCHROEF	1
64	ZADEL ONDERSTEUNINGSAS	1
65	EINDKAP	1
66	HANDOEKHAAK	1
67	SLEDEBOUT	2
68	SLUITRING	1
69	KNOP	1
70	AFSTANDSBUS	1
71	ZADEL	1
72	CONSOLE	1
73	TRUSS PHILIPSSCHROEF	1
74	HANDGREEP HR-SENSORKABEL	2
75	ADAPTER	1
77	BIDONHOUDER B	1
78	CONSOLEMASTSCHOEN	1
80	AUDIOKABEL	1
82	SLUITRING	3
83	VEERING	2
84	MOER	2
85	TRUSS ZESKANTSCHROEF	2
87	TRUSS ZESKANTSCHROEF	12
89	CONTRA PHILIPSSCHROEF	1

NR.	OMSCHRIJVING	AANTAL
90	HEX-SLEUTEL	1
91	"PLUS"-SLEUTEL	1
93	PEDAAL LINKS	1
94	RECHTER PEDAAL	1
95	HANDGREEP HR-SENSOR	2
96	TRUSS PHILIPS ZELFTAPPENDE SCHROEF	2
97	SCHUIM HANDGREEP	1
98	TRUSS EINDKAP	2
113	NYLON MOER	2
115	SLUITRING	1
116	CONTRA PHILIPSSCHROEF	1
120	DRAADLOZE HANDPULSONTVANGER	1
121	CONTRA VERZONKEN PHILIPS ZELFTAPPENDE SCHROEF	2
1-1	HOOFDFRAME; NIEUW	1
122	KLEM	1
123	BINNENZESKANT CAP-SCHROEF	1
124	HANDGREEPAFDEKKING	1
125	T-KNOP	1

# COMFORT R8.0 ONDERDELENDIAGRAM



## COMFORT R8.0 ONDERDELENLIJST

NR.	OMSCHRIJVING	AANTAL
1	HOOFDFRAME	1
2	LAGER	2
3	AANDRIJFPOELIE	1
4	MAGNEET	1
5	TRANSMISSIEAS	1
6	C-CLIP	1
7	BINNENZESKANTSCHROEF	4
8	VEERRING	4
9	NYLON MOER	4
10	GEGOLFDE RING	1
11	BUS	1
12	RIEM	1
13	TWIST-TIE	4
14	HANDPULSKABEL VOOR FRAME	1
15	RONDE SENSOR KUNSTSTOF BEVESTIGING	1
16	RONDE PHILIPS SCHROEF ZELFTAPPEND	1
17	ZIP-TIE	4
18	NETSNOER	1
20	SNELHEIDSSENSORKABEL	1
21	MIDDEN CONSOLEKABEL	1
22	ONDERSTE CONSOLEKABEL	1
23	ONDERSTE REGELPANEEL	1
24	BINNENZESKANT SLIP-FLENSMOER	3
24	TRUSS ZELFTAPPENDE SCHROEF	1
25	INDUCTIE VLIEGWIEL	1

NR.	OMSCHRIJVING	AANTAL
26	ZESKANTSCHROEF	4
27	SLUITRING	4
28	VEERRING	4
29	LINKER CRANK	1
30	RECHTER CRANK	1
31	CRANKAFDEKKING	1
31	CRANKAFDEKKING	1
32	DECORATIEVE RING CRANK	2
33	BINNENZESKANT SLIP-FLENSSCHROEF	1
33	BINNENZESKANT SLIP-FLENSSCHROEF	1
34	VRIJLOOP WIEL SPANVEER	1
35	VERSTELSCHROEF	1
36	FLENSSCHROEF	1
37	VRIJLOOP WIELBEVESTIGINGSPLAAT	1
38	LAGER	3
39	C-CLIP	1
40	CONTRA PHILIPSSCHROEF	3
41	BUS	3
42	BESCHERMKRAAG LINKS	1
43	BESCHERMKRAAG RECHTS	1
44	VERBINDINGSPLAAT	1
45	TRUSS PHILIPSSCHROEF	1
45	TRUSS PHILIPSSCHROEF	2
46	CONSOLEMASTSCHOEN	1
47	TRUSS PHILIPS ZELFTAPPENDE SCHROEF	4

## COMFORT R8.0 ONDERDELENLIJST

NR.	OMSCHRIJVING	AANTAL
47	TRUSS PHILIPS ZELFTAPPENDE SCHROEF	4
48	AFDEKKING ONDERSTEUNINGSBUIJS LINKSACHTER	1
49	AFDEKKING ONDERSTEUNINGSBUIJS RECHTSACHTER	1
50	CLIP KORT	2
51	AFDEKKING ONDERSTEUNINGSBUIJS BOVEN, ACHTER	1
52	BASISBUIJSAFDEKKING LINKS	1
53	BASISBUIJSAFDEKKING RECHTS	1
54	RUBBER STAP-PAD	1
55	CONSOLEMAST	1
56	TRUSS EINDKAP	2
56	TRUSS EINDKAP	2
57	BOVENHANDGREEP HR-KABEL	1
58	SCHUIMGREEP VOOR	2
59	CLIP KORT	5
60	BIDONHOUDER A	1
62	ZADELFRAME BASISSYSTEEM	1
63	EINDKAP	4
64	BUS	1
65	ZADELVERSTELHENDEL	1
66	BUS	1
67	KUNSTSTOP KAP HENDEL	1
68	TRUSS PHILIPS ZELFTAPPENDE SCHROEF	1
70	HANDGREEP ACHTER LASSET	1
71	TAPSCHROEF	2
72	HANDGREEP HR-SENSOR	2

NR.	OMSCHRIJVING	AANTAL
73	HANDGREEP HR-SENSORKABEL VOOR HENDEL	1
75	KABELKAP	1
75	KABELKAP	1
76	SCHUIMGREEP	2
77	VOORSTABILISATOR, COMPLEET	1
78	AFDEKKING VOORSTABILISATOR	1
79	TRANSPORTWIEL	2
80	TRUSS ZESKANTSCHROEF	2
81	STELVOET	2
81	STELVOET	2
82	TRUSS PHILIPSSCHROEF	6
83	ACHTERSTABILISATOR, COMPLEET	1
84	AFDEKKING ACHTERSTABILISATOR	1
85	ZADELRAIL	1
86	BOOGEINDKAP	1
88	ZADELSTOP	1
89	CONSOLE	1
90	ADAPTER	1
91	RUGLEUNINGPAD	1
92	ZADELPAD	1
93	SLEDESCHROEF	8
94	VEERRING	8
95	SLUITRING	32
96	MOER	8
97	TRUSS PHILIPS ZELFTAPPENDE SCHROEF	4

NR.	OMSCHRIJVING	AANTAL
98	TRUSS ZESKANTSCHROEF	16
99	TRUSS ZESKANTSCHROEF	8
100	TRUSS ZESKANTSCHROEF	4
103	CKS ZESKANTSCHROEF	12
104	VEERRING	6
105	HEX-SLEUTEL	2
106	"PLUS"-SLEUTEL	2
107	HEX-SLEUTEL	2
108	PEDAAL LINKS	1
109	RECHTER PEDAAL	1
111	CONTRA VERZONKEN ZESKANTSCHROEF	4
112	GEGOLFDE VEERRING	4
114	SLUITRING	2
115	KUNSTSTOF PAD	1

NR.	OMSCHRIJVING	AANTAL
116	RONDE ZELFTAPPENDE SCHROEF	1
125	SLUITRING	2
126	BUS	1
127	AUDIOBRONKABEL	1
129	DRAADLOZE HANDPULSONTVANGER	1
130	CONTRA VERZONKEN PHILIPS ZELFTAPPENDE SCHROEF	2
42-1	BESCHERMKRAAG LINKS	1
43-1	BESCHERMKRAAG RECHTS	1
46-1	CONSOLEMASTSCOEN	1
48-1	AFDEKKING ONDERSTEUNINGSBUIS LINKSACHTER	1
49-1	AFDEKKING ONDERSTEUNINGSBUIS RECHTSACHTER	1



**NL: Afvalverwijdering**

VISION Fitness-/HORIZON Fitness-/TEMPO Fitness-/TREO Fitnessproducten kunnen gerecycled worden.

At the end of its useful life please dispose of this article correctly and safely (local refuse sites).

**Ger: Entsorgungshinweis**

Die Produkte VISION Fitness/HORIZON Fitness/TEMPO Fitness/TREO Fitness sind recycelbar.

Führen Sie das Gerät am Ende der Nutzungsdauer einer sachgerechten Entsorgung zu (örtliche Sammelstelle).

**Dut: Verwijderingsaanwijzing**

VISION Fitness / HORIZON Fitness / TEMPO Fitness / TREO Fitness producten zijn recyclebaar. Breng het apparaat aan het einde van de gebruiksduur naar een in recycling gespecialiseerd bedrijf (plaatselijk verzamelpunt).

**Fre: Remarque relative à la gestion des déchets**

Les produits VISION Fitness / HORIZON Fitness / TEMPO Fitness / TREO Fitness sont recyclables. Lorsque cet appareil arrive en fin de vie, veuillez l'éliminer de manière correcte et en toute sécurité en le déposant dans une déchetterie communale.

**Ita: Indicazione sullo smaltimento**

I prodotti VISION Fitness / HORIZON Fitness / TEMPO Fitness / TREO Fitness sono riciclabili. Quando l'apparecchio non servirà più, portarlo in un apposito punto di raccolta della propria città (punti di raccolta comunali).

**Spe: Gestión de residuos**

Los productos de VISION Fitness / HORIZON Fitness / TEMPO Fitness / TREO Fitness son reciclables.

Cuando se termine su vida útil, por favor deshágase de este artículo de forma correcta y segura en un punto limpio.

**Prb: Descarte**

Os produtos VISION Fitness / HORIZON Fitness / TEMPO Fitness / TREO Fitness são recicláveis.

No final de sua vida útil, descarte este equipamento corretamente e com segurança (sites de locais de lixo).

**ChT: 廢棄物處理**

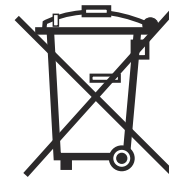
VISION Fitness / HORIZON Fitness / TEMPO Fitness / TREO Fitness 產品為可回收產品。

產品的使用年限期滿後，請依照正確且安全的方式處理本廢棄商品（當地的廢棄場）。

**ChS: 废弃物处理**

VISION Fitness / HORIZON Fitness / TEMPO Fitness / TREO Fitness 产品是可回收利用的。

在其使用期结束后，请正确安全地（在本地垃圾处理场）处理本品。



# PRÉCAUTIONS IMPORTANTES



## CONSERVEZ CES INSTRUCTIONS

Lors de l'utilisation d'un produit d'exercice, des précautions de base doivent toujours être respectées, notamment les suivantes : Lisez toutes les instructions avant d'utiliser ce vélo d'exercice. Il incombe au propriétaire de s'assurer que tous les utilisateurs de ce vélo d'exercice sont correctement informés de tous les avertissements et de toutes les précautions. Si vous avez des questions après avoir lu ce manuel du propriétaire, contactez votre revendeur local.



# AVERTISSEMENT

## **LISEZ ET CONSERVEZ TOUTES LES INSTRUCTIONS AVANT D'ASSEMBLER OU D'UTILISER CE VÉLO D'EXERCICE. IL EST FORTEMENT RECOMMANDÉ D'OBSERVER LES CONSIGNES DE SÉCURITÉ SUIVANTES.**

- **ATTENTION** : Si vous ressentez une douleur à la poitrine, des nausées, des vertiges ou un essoufflement, arrêtez immédiatement de faire l'exercice et consultez un médecin avant de continuer.
- Utilisez ce vélo d'exercice pour son usage prévu, tel que décrit dans ce manuel. N'utilisez pas d'accessoires qui n'ont pas été recommandés par le fabricant.
- Ne vous servez jamais du vélo d'exercice s'il ne fonctionne pas correctement ou s'il a été endommagé. Contactez les revendeurs agréés pour examen et réparation.
- N'utilisez pas le vélo d'exercice sans chaussures appropriées. N'utilisez JAMAIS le vélo d'exercice pieds nus.
- Ne portez pas de vêtements susceptibles de se coincer dans des pièces mobiles de ce vélo d'exercice.
- Gardez toujours les mains et les pieds à l'écart des pièces en mouvement pour éviter les blessures. Ne tournez jamais les manivelles de pédalier à la main.
- Ne démontez pas le vélo d'exercice tant que les pédales ne sont pas complètement ARRÊTÉES.
- N'essayez pas d'utiliser le vélo d'exercice en position debout à des régimes élevés tant que vous n'avez pas essayé à des vitesses plus lentes.
- N'insérez aucun objet, mains ou pieds dans les ouvertures, et n'exposez pas les mains, les bras ou les pieds au mécanisme d'entraînement ou à toute autre partie potentiellement mobile du vélo d'exercice.
- Ne l'utilisez pas lorsque des aérosols (sprays) sont utilisés ou lorsque de l'oxygène est administré.
- Une surveillance étroite est nécessaire en cas d'utilisation près d'enfants et de personnes invalides ou handicapées.
- Lorsque le vélo d'exercice est utilisé, les jeunes enfants et les animaux domestiques doivent être maintenus à au moins 3 mètres.
- Assurez-vous que les leviers de réglage (siège et guidon avant et arrière) sont correctement fixés et ne gênent pas l'amplitude de mouvement pendant l'exercice.
- Cette application est destinée à un usage domestique et intérieur uniquement.
- Cette application avec un système indépendant de vitesse.
- Si l'un des dispositifs de réglage est laissé en saillie, il peut interférer avec le mouvement de l'utilisateur.
- **AVERTISSEMENT !** Les systèmes de surveillance de la fréquence cardiaque peuvent être inexacts. S'exercer de manière excessive peut entraîner des blessures graves ou la mort. Si vous vous sentez mal, arrêtez immédiatement de vous entraîner.

# MONTAGE



## **! AVERTISSEMENT**

Il y a plusieurs points au cours du processus d'assemblage qui doivent faire l'objet d'une attention particulière. Il est très important de suivre correctement les instructions d'assemblage et de s'assurer que toutes les pièces sont fermement serrées. Si les instructions d'assemblage ne sont pas suivies correctement, il se pourrait que certaines pièces du vélo d'exercice ne soient pas serrées correctement, semblent lâches et provoquent des bruits agaçants. Pour éviter d'endommager le vélo d'exercice, les instructions d'assemblage doivent être vérifiées et des mesures correctives doivent être prises.

Avant de continuer, trouvez le numéro de série de votre vélo d'exercice situé sur le tube stabilisateur avant et entrez-le dans l'espace prévu ci-dessous.

ENTREZ VOTRE NUMÉRO DE SÉRIE ET VOTRE NOM DE MODÈLE DANS LA CASE CI-DESSOUS :

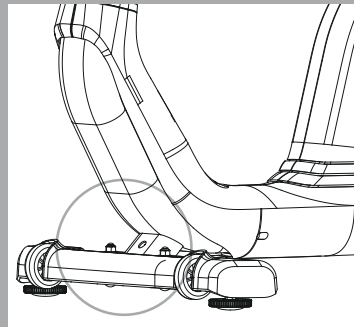
NUMÉRO DE SÉRIE :

--	--	--	--	--	--	--	--	--	--	--	--	--	--	--	--	--	--	--

NOM DU MODÈLE : **HORIZON**

--	--	--	--	--	--	--	--	--	--	--	--	--	--	--	--

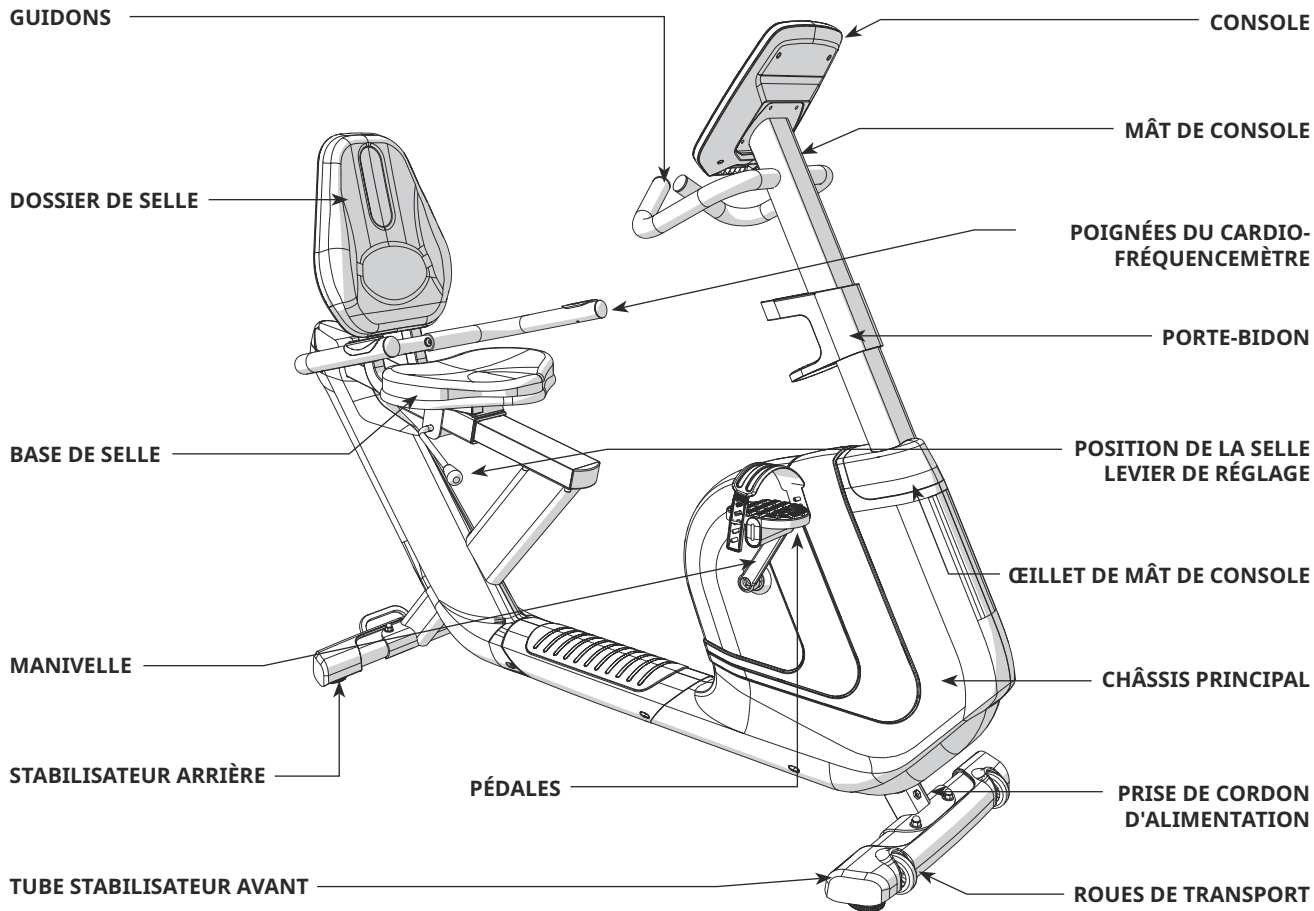
### EMPLACEMENT DU NUMÉRO DE SÉRIE



» Référez-vous au NUMÉRO DE SÉRIE et au NOM DE MODÈLE lorsque vous appelez le service.



Comfort  
R8.0



## OUTILS NÉCESSAIRES :

- Clé plate / tournevis 13 / 15mm
- Clé en L de 5mm
- Clé en L de 6mm

## PIÈCES INCLUSES :

- 1 châssis principal
- 1 console
- 1 mât de console
- 1 œillet de mât de console
- 1 porte-bidon
- 1 tube stabilisateur avant
- 1 tube stabilisateur arrière
- 1 base de selle
- 1 dossier de selle
- 1 cadre de selle
- 1 cache de cadre de selle
- 1 guidon à capteur de pouls
- 2 pédales avec sangles
- 1 câble adaptateur audio
- 1 cordon d'alimentation
- 1 kit de matériel

# PRÉASSEMBLAGE DU VÉLO COUCHÉ

## DÉBALLAGE

Déballer le produit à l'endroit où vous allez l'utiliser. Placez le carton du vélo sur une surface plane et de niveau. Il est recommandé de placer un revêtement de protection sur votre sol. N'ouvrez jamais la boîte lorsqu'elle est sur le côté.

## REMARQUES IMPORTANTES

Lors de chaque étape d'assemblage, assurez-vous que TOUS les écrous et boulons sont en place et partiellement filetés. Il est recommandé de terminer le montage complet de votre appareil avant de serrer complètement UN boulon.

Plusieurs pièces ont été pré-lubrifiées pour faciliter l'assemblage et l'utilisation. Veuillez ne pas enlever la lubrification. Si vous avez des difficultés, une légère application de graisse au lithium pour vélo est recommandée.

## BESOIN D'AIDE ?

Si vous avez des questions ou si des pièces sont manquantes, contactez votre revendeur local. Les coordonnées peuvent se trouver sur la face arrière de votre manuel ou sur la carte de garantie.

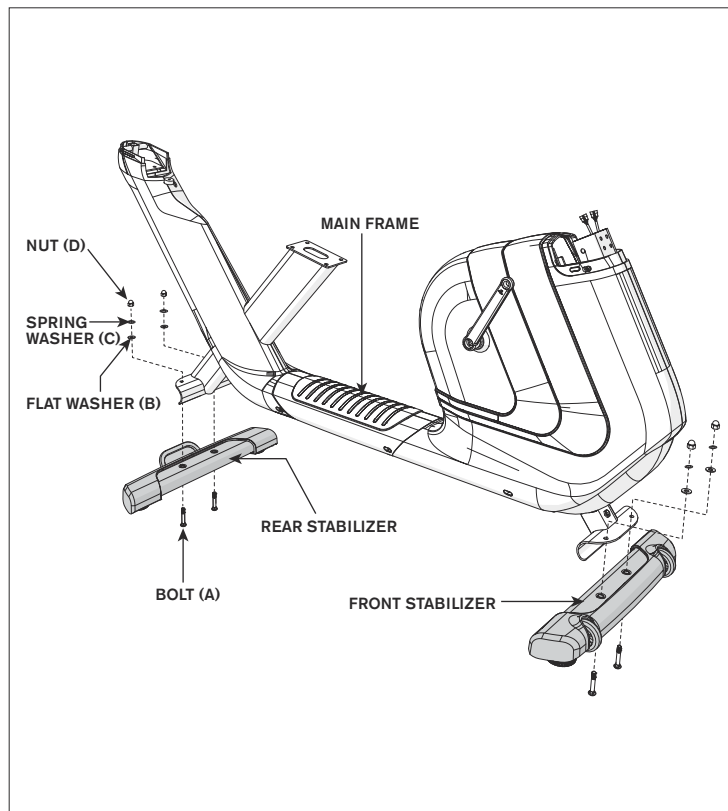


Comfort  
R8.0

# ASSEMBLAGE DU VÉLO COUCHÉ ÉTAPE 1



Comfort  
R8.0



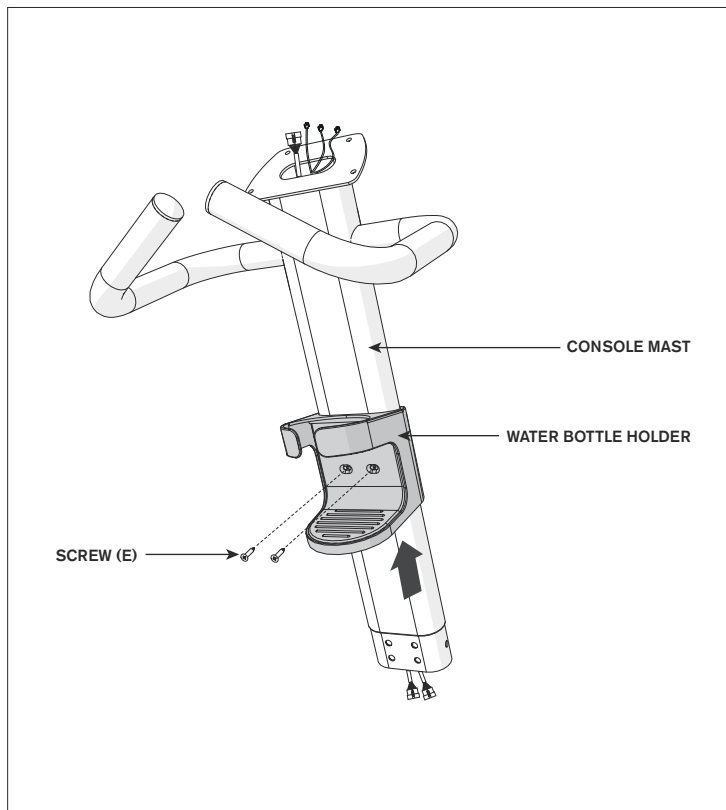
## MATÉRIEL POUR L'ÉTAPE 1

 BOULON (A) M8 X 56 MM QTÉ : 4	 RONDELLE PLATE (B) Φ9X Φ18 X 2.0T MM QTÉ : 4
 RONDELLE ÉLASTIQUE (C) M8 X 2.0T MM QTÉ : 4	 ÉCROU (D) M8 QTÉ : 4

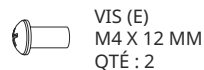
- A Ouverture du **MATÉRIEL POUR L'ÉTAPE 1**.
- B Fixez le **STABILISATEUR ARRIÈRE** au **CADRE PRINCIPAL** à l'aide **DE 2 BOULONS (A), 2 RONDELLES PLATES (B), 2 RONDELLES ÉLASTIQUES (C) et 2 ÉCROUS (D)**.
- C Fixez le **STABILISATEUR AVANT** au **CADRE PRINCIPAL** à l'aide **de 2 BOULONS (A), 2 RONDELLES PLATES (B), 2 RONDELLES ÉLASTIQUES (C) et 2 ÉCROUS (D)**.

Remarque : Soulever la machine vous aidera à assembler plus facilement. Mettre d'abord en place le stabilisateur puis insérer les boulons facilitera également l'assemblage.

# ASSEMBLAGE DU VÉLO COUCHÉ ÉTAPE 2



## MATÉRIEL POUR L'ÉTAPE 2



- A Ouverture du **MATÉRIEL POUR L'ÉTAPE 2**.
- B Faites glisser le **PORTE-BIDON D'EAU** vers le haut du **MÂT DE CONSOLE** et alignez les trous de vis dans le **PORTE-BIDON D'EAU** avec les trous dans le **MÂT DE CONSOLE**.
- C Fixez le **PORTE-BIDON D'EAU** à l'aide de **2 VIS (E)**.



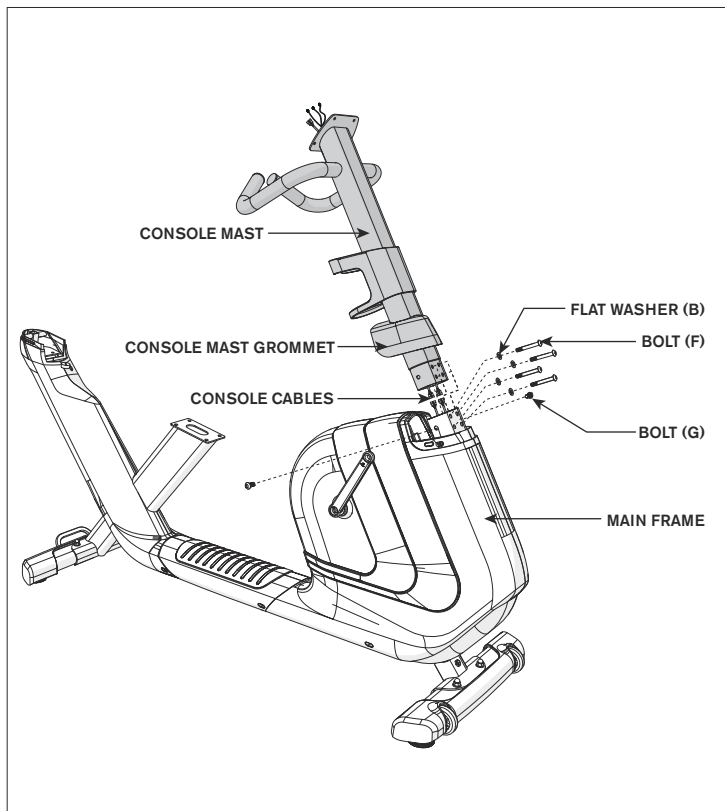
Comfort  
R8.0



## ASSEMBLAGE DU VÉLO COUCHÉ ÉTAPE 3





Comfort  
R8.0



### MATÉRIEL POUR L'ÉTAPE 3

 BOULON (F)  
M8 X 60 MM  
QTÉ : 4

 BOULON (G)  
M8 X 18 MM  
QTÉ : 2

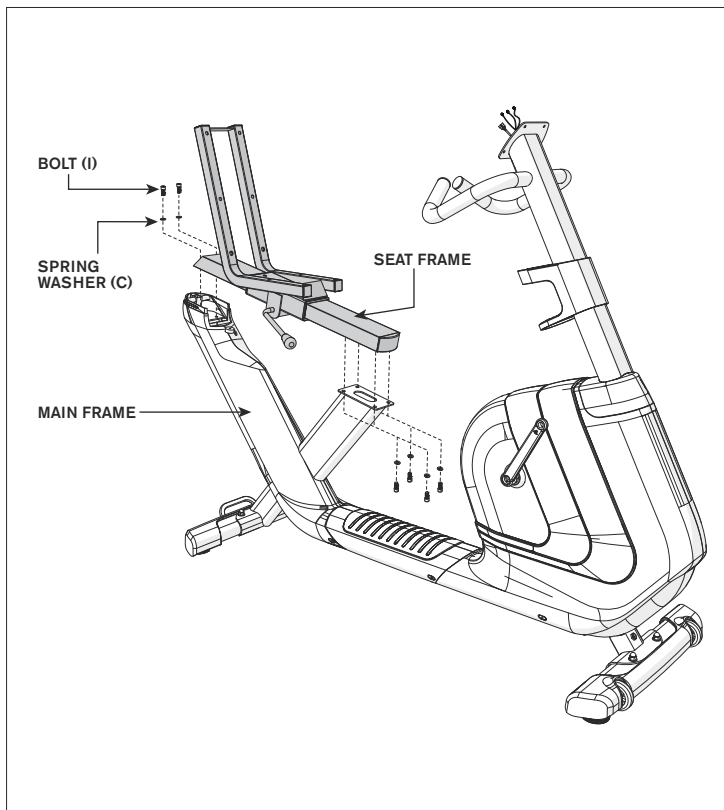
 RONDELLE PLATE (B)  
Φ9 X Φ18 X 2.0T MM  
QTÉ : 4

- A Ouverture du **MATÉRIEL POUR L'ÉTAPE 3**.
- B Faites glisser l'**ŒILLET DE MÂT DE CONSOLE** du bas vers le haut du **MÂT DE CONSOLE**.
- C Fixez les **CÂBLES DE CONSOLE** et rentrez soigneusement tous les câbles dans le **CADRE PRINCIPAL**. Glissez le **MÂT DE CONSOLE** dans le **CADRE PRINCIPAL**.
- D Fixez le **MÂT DE CONSOLE** en utilisant **2 BOULONS (G)** sur les côtés et **4 BOULONS (F)** et **4 RONDELLES PLATES (B)** par l'avant.
- E Faites glisser l'**ŒILLET DE MÂT DE CONSOLE** vers le bas sur le **CADRE PRINCIPAL**.

# ASSEMBLAGE DU VÉLO COUCHÉ ÉTAPE 4



Comfort  
R8.0



## MATÉRIEL POUR L'ÉTAPE 4



BOULON (I)  
M8 X 18 MM  
QTÉ : 6



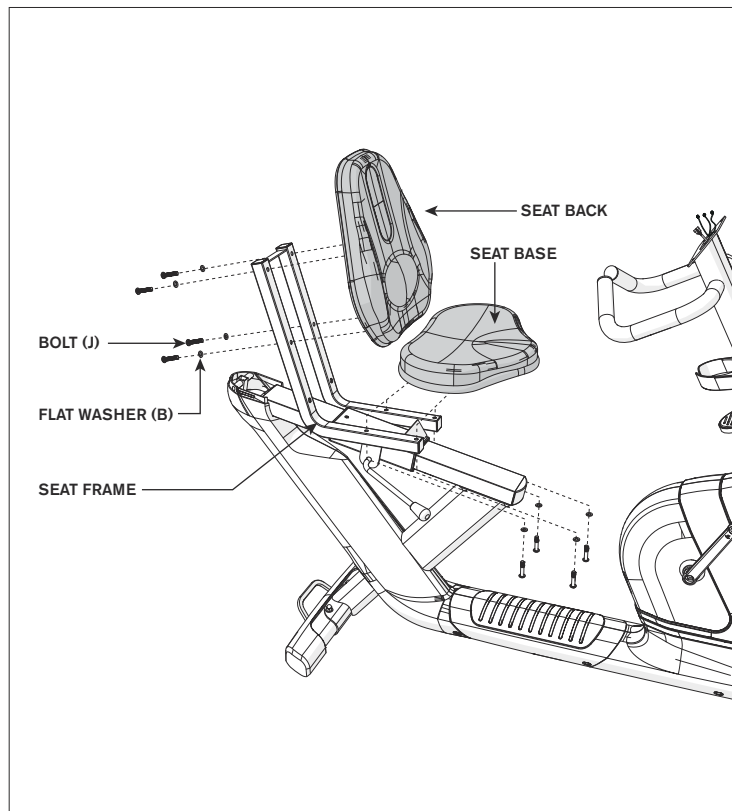
RONDELLES  
ÉLASTIQUES (C)  
M8 X 2.0T MM  
QTÉ : 6

- A Ouverture du **MATÉRIEL POUR L'ÉTAPE 4**.
- B Fixez le **CADRE DE SELLE** au **CADRE PRINCIPAL** à l'aide de 6 **VIS À TÊTE CYLINDRIQUE À SIX PANS CREUX (I)** et de 6 **RONDELLES ÉLASTIQUES (C)** comme illustré.

## ASSEMBLAGE DU VÉLO COUCHÉ ÉTAPE 5



Comfort  
R8.0



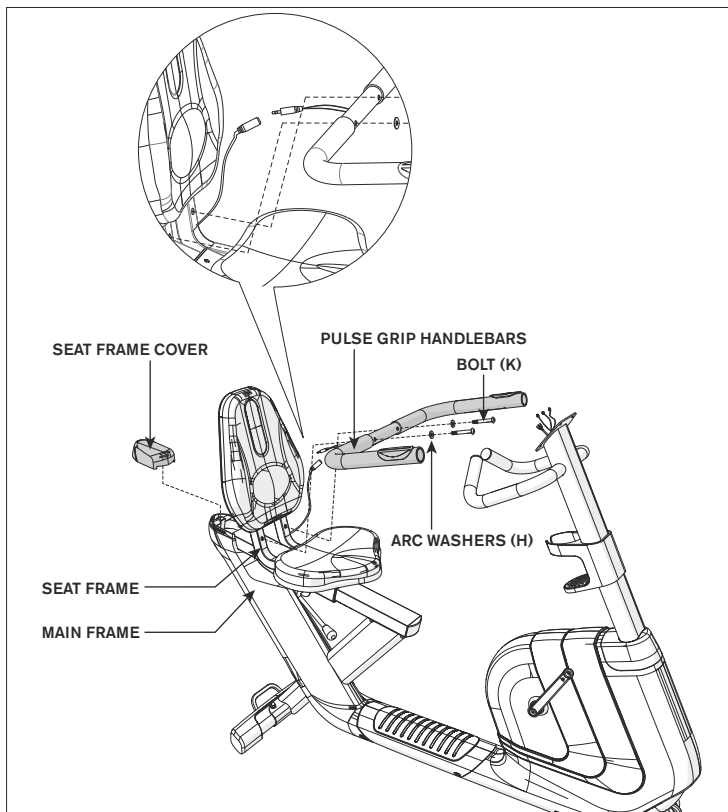
### MATÉRIEL POUR L'ÉTAPE 5

 BOULON (J)  
M8 X 45 MM  
QTÉ : 8

 RONDELLE PLATE (B)  
Φ9 XΦ18 X 2.0T MM  
QTÉ : 8


- A Ouverture du **MATÉRIEL POUR L'ÉTAPE 5**.
- B Fixez la **BASE DE SELLE** au **CADRE DE SELLE** à l'aide de 4 **BOULONS (J)** et de 4 **RONDELLES PLATES (B)**.
- C Fixez le **DOSSIER DE SELLE** au **CADRE DE SELLE** à l'aide de 4 **BOULONS (J)** et de 4 **RONDELLES PLATES (B)**.

# ASSEMBLAGE DU VÉLO COUCHÉ ÉTAPE 6



## MATÉRIEL POUR L'ÉTAPE 6

 BOULON (K)  
M10 X 65 MM  
QTÉ : 2

 RONDELLE EN ARC (H)  
Φ10.5 XΦΦ20 X 2.0T MM  
QTÉ : 2

- A Ouverture du **MATÉRIEL POUR L'ÉTAPE 6**.
- B Attachez les **POIGNÉES DU CARDIO-FRÉQUENCEMÈTRE** au **CADRE DE SELLE** à l'aide de 2 **BOULONS (K)** et de 2 **RONDELLES EN ARC (H)**.
- C Fixez le **CACHE DE CADRE DE SELLE** au **CADRE PRINCIPAL** comme illustré.
- D Attachez les fils de fréquence cardiaque des **POIGNÉES DU CARDIO-FRÉQUENCEMÈTRE** aux fils de fréquence cardiaque sur le **CADRE PRINCIPAL**.

Remarque : Avant d'assembler la poignée, assurez-vous que la poignée est dans la bonne position avec la poignée de fréquence cardiaque vers le haut et le câble vers le bas.

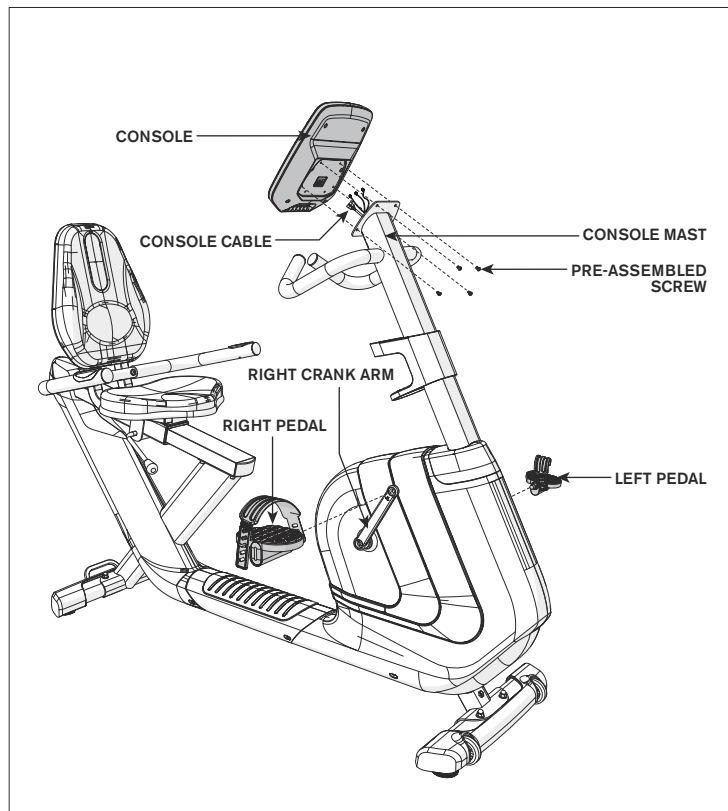


Comfort  
R8.0


## ASSEMBLAGE DU VÉLO COUCHÉ ÉTAPE 7



Comfort  
R8.0



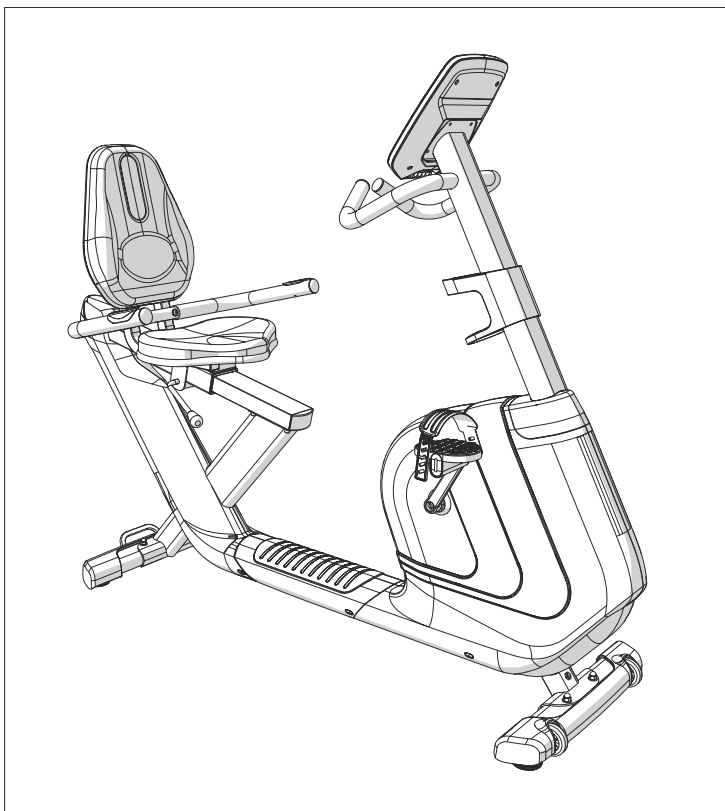
### MATÉRIEL POUR L'ÉTAPE 5

-  VIS  
PRÉASSEMBLÉE  
M5 X 7 MM  
QTÉ : 4

- A** LE MATÉRIEL POUR L'ÉTAPE 7 est préinstallé.
- B** Fixez la **PÉDALE DROITE** au **BRAS DE MANIVELLE DROIT**, en le serrant dans le sens horaire avec la clé plate de 13 mm / 15 mm fournie.
- C** Fixez la **PÉDALE GAUCHE** sur le bras de manivelle gauche, en le serrant dans le sens antihoraire avec la clé plate de 13 mm / 15 mm fournie. (REMARQUE : Le bras de manivelle gauche est fileté à l'envers, il est donc très important qu'il soit serré dans le sens antihoraire. Le serrer dans l'autre sens peut endommager la pédale ou la manivelle ou les deux.)
- D** Connectez le **CÂBLE DE CONSOLE** et rentrez-le soigneusement dans le **MÂT DE LA CONSOLE**.
- E** Fixez la **CONSOLE** au **MÂT DE CONSOLE** à l'aide de 4 **VIS PRÉASSEMBLÉES**.

Remarque : Vous aurez peut-être besoin d'une clé de 15 mm pour assembler la pédale. Veillez à ne pas vous pincer lors de l'assemblage.

# ASSEMBLAGE DU VÉLO COUCHÉ



**L'ASSEMBLAGE EST TERMINÉ !**

## **Comfort R8.0**

Dimensions hors-tout : 165 x 64 x 135 cm

Définir le poids : 49,5 kg / 109 lbs.

Poids brut : 56,5 kg / 124 lbs.

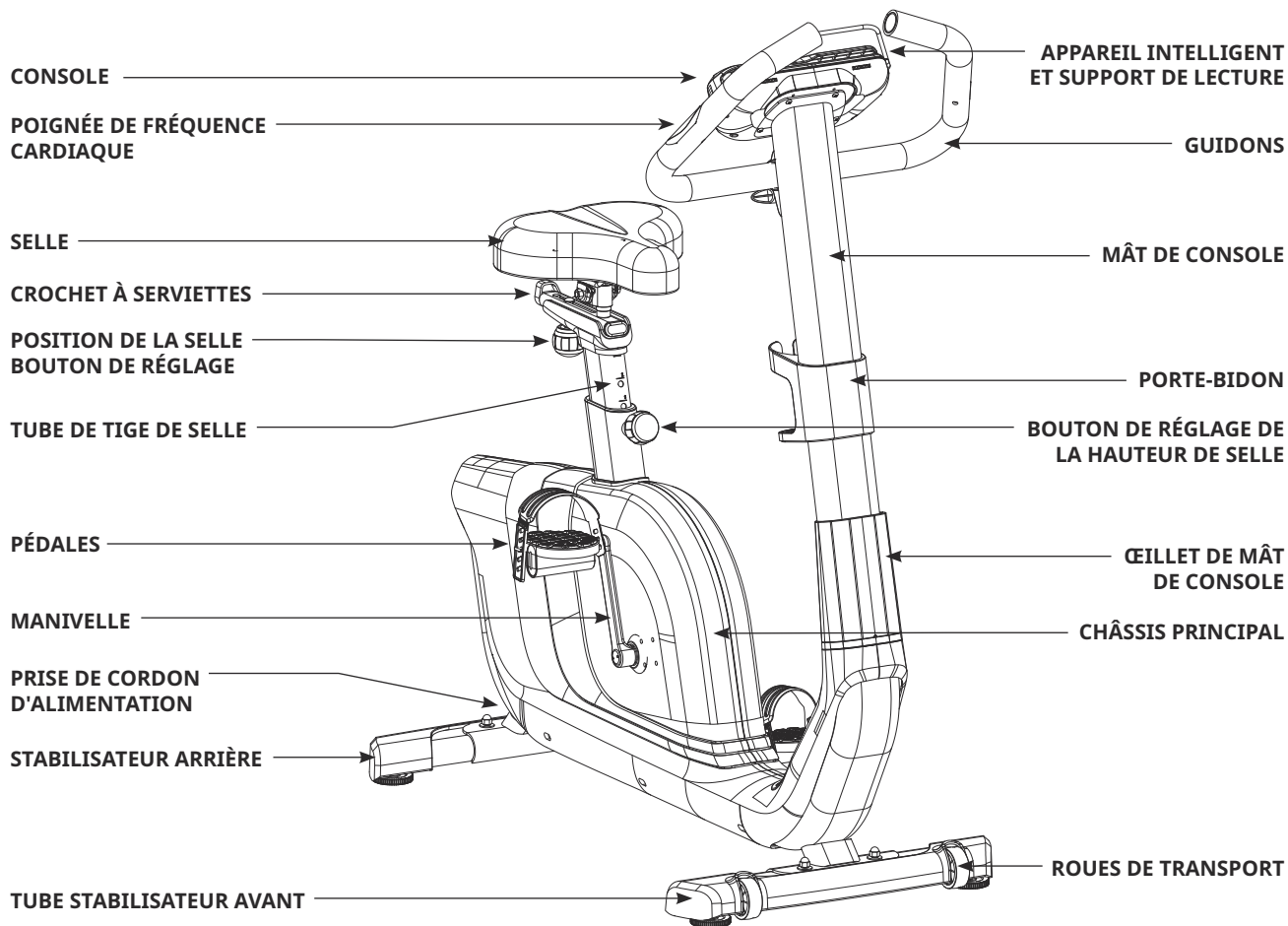
Poids d'utilisateur max. : 136 kg / 300 lbs.



Comfort  
R8.0



Vélo  
droit  
Comfort



(ILLUSTRATION DU COMFORT 2.0)

## OUTILS NÉCESSAIRES :

- Clé plate / tournevis 13 / 15mm
- Clé en L de 6mm

## PIÈCES INCLUSES :

- 1 châssis principal
- 1 console
- 1 mât de console
- 1 œillet de mât de console
- 1 porte-bidon
- 1 stabilisateur avant
- 1 stabilisateur arrière
- 1 selle
- 1 tube de tige de selle
- 2 pédales avec sangles
- 1 câble adaptateur audio
- 1 cordon d'alimentation
- 1 kit de matériel

# PRÉASSEMBLAGE DU VÉLO DROIT

## DÉBALLAGE

Déballer le produit à l'endroit où vous allez l'utiliser. Placez le carton du vélo sur une surface plane et de niveau. Il est recommandé de placer un revêtement de protection sur votre sol. N'ouvrez jamais la boîte lorsqu'elle est sur le côté.

## REMARQUES IMPORTANTES

Lors de chaque étape d'assemblage, assurez-vous que TOUS les écrous et boulons sont en place et partiellement filetés. Il est recommandé de terminer le montage complet de votre appareil avant de serrer complètement UN boulon.

Plusieurs pièces ont été pré-lubrifiées pour faciliter l'assemblage et l'utilisation. Veuillez ne pas enlever la lubrification. Si vous avez des difficultés, une légère application de graisse au lithium pour vélo est recommandée.

## BESOIN D'AIDE ?

Si vous avez des questions ou si des pièces sont manquantes, contactez votre revendeur local. Les coordonnées peuvent se trouver sur la face arrière de votre manuel ou sur la carte de garantie.



Vélo  
droit  
Comfort



# ASSEMBLAGE DU VÉLO DROIT ÉTAPE 1



Vélo droit  
Comfort

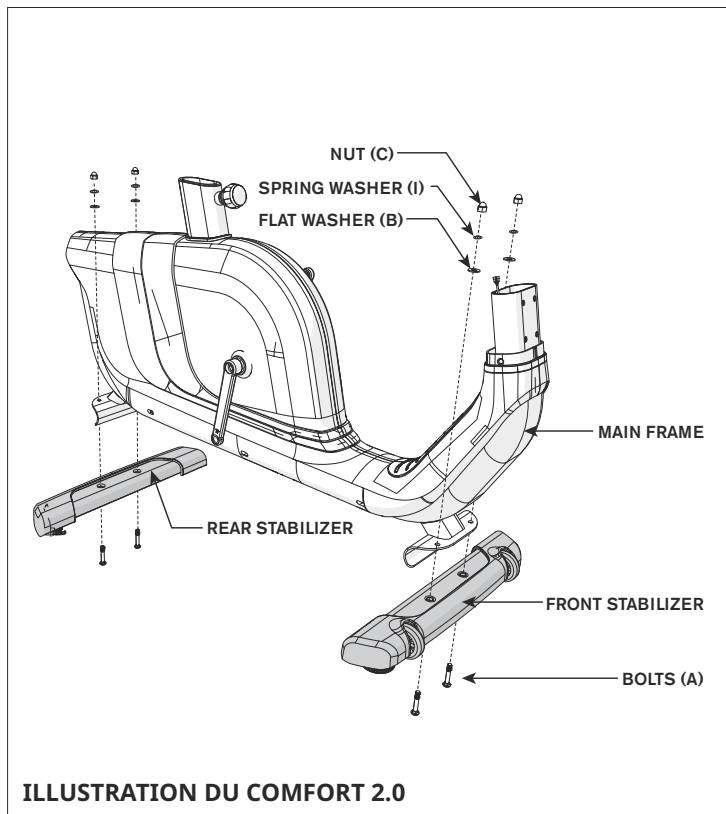


ILLUSTRATION DU COMFORT 2.0

## MATÉRIEL POUR L'ÉTAPE 1

 BOULON (A) M8 X 56 MM QTÉ : 4	 RONDELLE PLATE (B) Φ9 XΦΦ20 X 2.0T MM QTÉ : 4
 ÉCROU (C) M8 QTÉ : 4	 RONDELLE ÉLASTIQUE (I) M8 X 2.0T MM QTÉ : 4

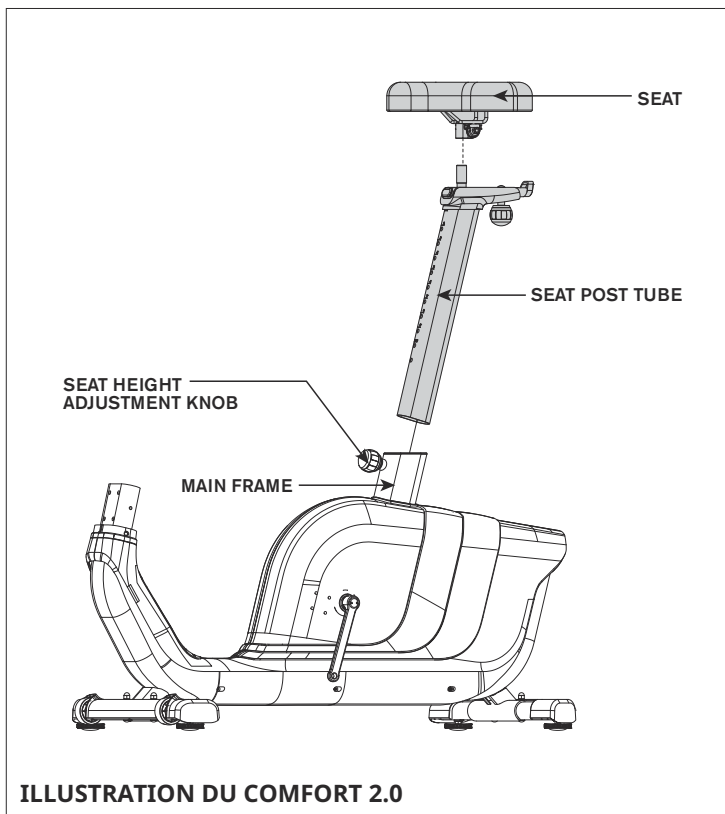
- A Ouverture du **MATÉRIEL POUR L'ÉTAPE 1**.
- B Fixez le **STABILISATEUR ARRIÈRE** au **CADRE PRINCIPAL** à l'aide de **2 BOULONS (A)**, **2 RONDELLES PLATES (B)**, **2 RONDELLES ELASTIQUES (I)** et **2 ÉCROUS (C)**.
- C Fixez le **STABILISATEUR AVANT** au **CADRE PRINCIPAL** à l'aide de **2 BOULONS (A)**, **2 RONDELLES PLATES (B)**, **2 RONDELLES ELASTIQUES (I)** et **2 ÉCROUS (C)**.

Remarque : Soulever la machine vous aidera à assembler plus facilement. Mettre d'abord en place le stabilisateur puis insérer les boulons facilitera également l'assemblage.

## ASSEMBLAGE DU VÉLO DROIT ÉTAPE 2



Vélo  
droit  
Comfort



Remarque : Aucun matériel n'est nécessaire pour cette étape.

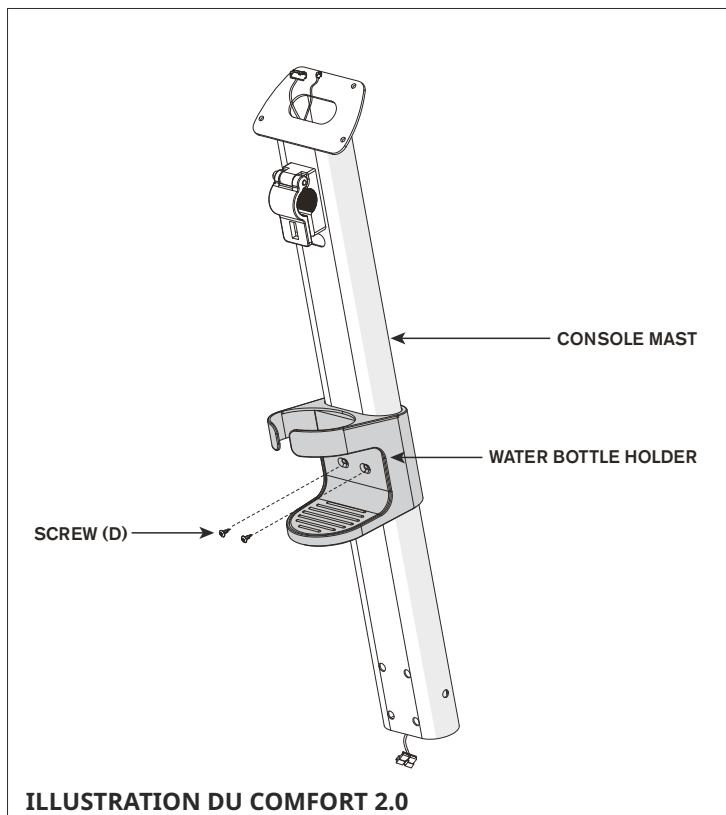
- A Fixez la **SELLE** au **TUBE DE TIGE DE SELLE** et serrez les **ÉCROUS DE SELLE** à l'aide d'une clé de 13 mm. (Vous aurez peut-être besoin d'une clé supplémentaire de 13 mm pour faciliter l'assemblage de la selle.)
- B Desserrez le **BOUTON DE RÉGLAGE DE LA HAUTEUR DE LA SELLE** en le tournant de deux demi-tours dans le sens antihoraire.
- C Tirez ensuite le **BOUTON DE RÉGLAGE DE LA HAUTEUR DE LA SELLE** vers l'extérieur tout en faisant glisser le **TUBE DE TIGE DE SELLE** dans le **CADRE PRINCIPAL**.

Remarque : Lors de l'assemblage de la SELLE, assurez-vous que la selle est en bonne position. Incliner l'avant de la SELLE peut vous aider à acquérir une expérience de course plus stable.


## ASSEMBLAGE DU VÉLO DROIT ÉTAPE 3



Vélo  
droit  
Comfort



### MATÉRIEL POUR L'ÉTAPE 3

 VIS (D)  
M4 X 12 MM  
QTÉ : 2

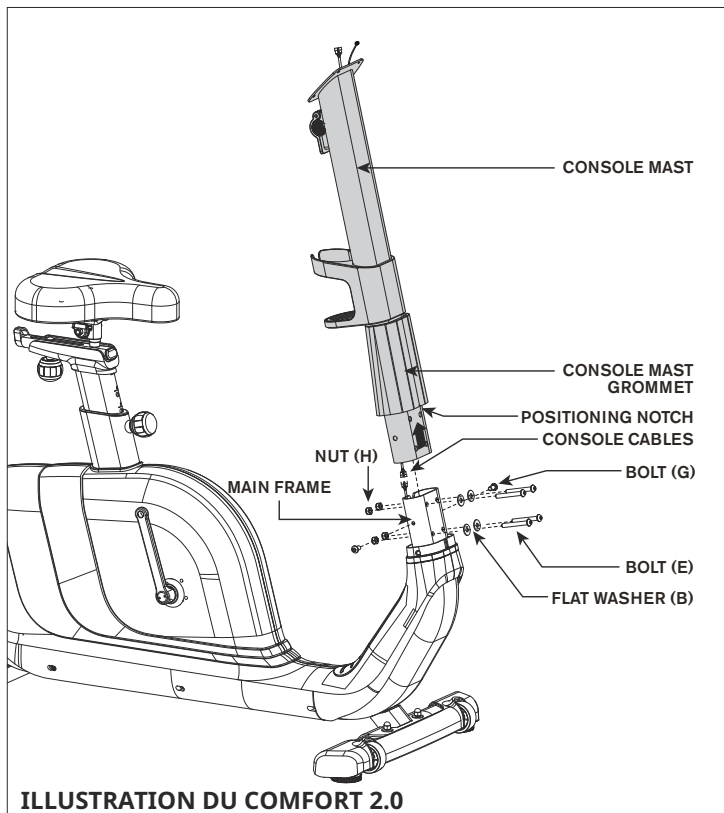
- A Ouverture du **MATÉRIEL POUR L'ÉTAPE 3**.
- B Faites glisser le **PORTE-BIDON D'EAU** vers le haut du **MÂT DE CONSOLE** et alignez les trous de vis dans le **PORTE-BIDON D'EAU** avec les trous dans le **MÂT DE CONSOLE**.
- C Fixez le **PORTE-BIDON D'EAU** à l'aide de **2 VIS (D)**.

Remarque : Veillez à ne pas pincer de câble lors de l'assemblage.





# ASSEMBLAGE DU VÉLO DROIT ÉTAPE 4



Vélo droit  
Comfort



## MATÉRIEL POUR L'ÉTAPE 4

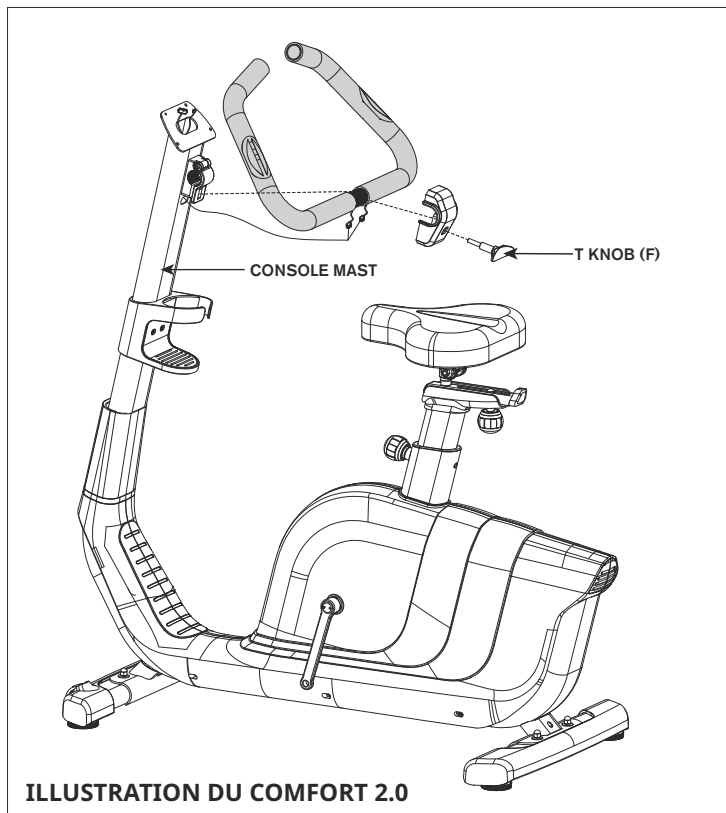
 BOULON (E) M8 X 60 MM QTÉ : 4	 RONDELLE PLATE (B) Φ9 XΦΦ20 X 2.0T MM QTÉ : 4
 BOULON (G) M8 X 15 MM	 ÉCROU (H) M8 QTÉ : 4

- Ouverture du **MATÉRIEL POUR L'ÉTAPE 4**.
- Faites glisser l'**ŒILLET DE MÂT DE CONSOLE** du bas vers le haut du **MÂT DE CONSOLE** avec la petite **ENCOCHE DE POSITIONNEMENT** tournée vers l'avant.
- Fixez les **CÂBLES DE CONSOLE** et rentrez soigneusement tous les câbles dans le **CADRE PRINCIPAL**. Glissez le **MÂT DE CONSOLE** dans le **CADRE PRINCIPAL**.
- Fixez le **MÂT DE CONSOLE** en utilisant 2 **BOULONS (G)** sur les côtés et 4 **BOULONS (F)**, 4 **RONDELLES PLATES (B)** et 4 **ÉCROUS (H)**.
- Faites glisser l'**ŒILLET DE MÂT DE CONSOLE** vers le bas sur le **CADRE PRINCIPAL**.

## ASSEMBLAGE DU VÉLO DROIT ÉTAPE 5



Vélo  
droit  
Comfort



### MATÉRIEL POUR L'ÉTAPE 5

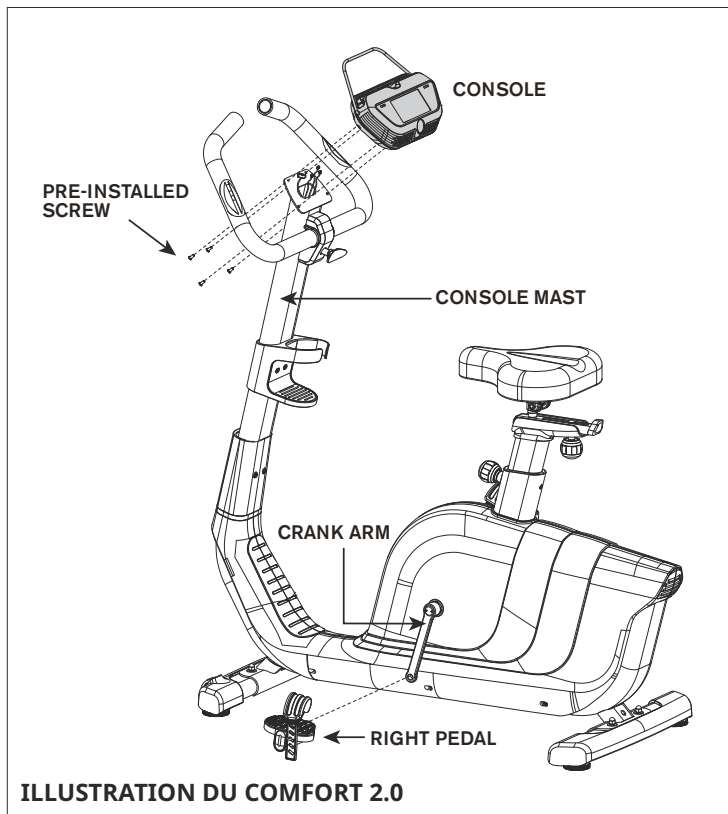


BOUTON EN T (F)  
M8 X 64 X 32  
QTÉ : 1

- A Ouverture du **MATÉRIEL POUR L'ÉTAPE 5**.
- B Tenez le **GUIDON** près du **MÂT DE CONSOLE** et faites passer les **FILS DU GUIDON** à travers le trou dans le **MÂT DE CONSOLE** et par le haut du **MÂT DE CONSOLE**.
- C Fixez le guidon au **MÂT DE CONSOLE** en utilisant 1 **BOUTON EN T (F)**.

Remarque : Vous aurez peut-être besoin d'une aide supplémentaire pour acheminer le câble de fréquence cardiaque et resserrer le guidon.

## ASSEMBLAGE DU VÉLO DROIT ÉTAPE 6



Remarque : Aucun matériel n'est nécessaire pour cette étape.

- A Le **MATÉRIEL** est pré-installé.
- B Fixez la **PÉDALE DROITE** au **BRAS DE MANIVELLE DROIT**, en le serrant dans le sens horaire avec la clé plate de 13 mm / 15 mm fournie.
- C Fixez la **PÉDALE GAUCHE** sur le bras de manivelle gauche, en le serrant dans le sens antihoraire avec la clé plate de 13 mm / 15 mm fournie. (REMARQUE : Le bras de manivelle gauche est fileté à l'envers, il est donc très important qu'il soit serré dans le sens antihoraire. Le serrer dans l'autre sens peut endommager la pédale ou la manivelle ou les deux.)
- D Connectez le **CÂBLE DE CONSOLE** et rentrez-le soigneusement dans le **MÂT DE LA CONSOLE**.
- E Fixez la **CONSOLE** au **MÂT DE CONSOLE** à l'aide de 4 **VIS PRÉ-INSTALLÉES**.

Remarque : Vous aurez peut-être besoin d'une clé de 15 mm pour assembler la pédale. Veillez à ne pas vous pincer lors de l'assemblage.

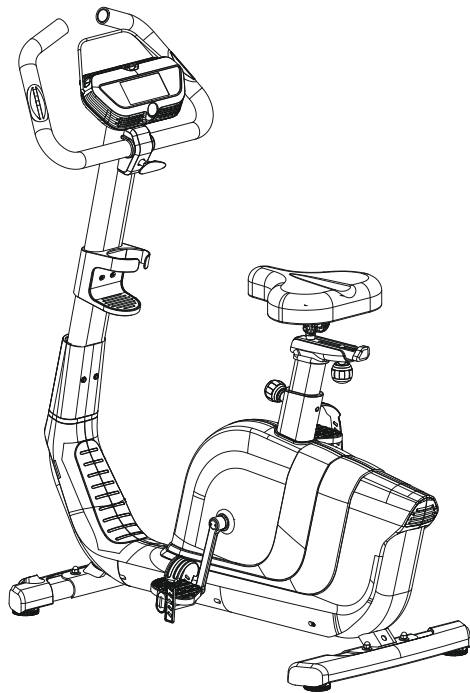


Vélo droit  
Comfort

# ASSEMBLAGE DU VÉLO DROIT



Vélo  
droit  
Comfort



**ILLUSTRATION DU COMFORT 2.0**

**L'ASSEMBLAGE EST TERMINÉ !**

## **Comfort 2.0**

Dimension hors-tout : 120 x 55 x 134 cm

Définir le poids : 35,5 kg / 78 lbs.

Poids brut : 41 kg / 90 lbs.

Poids d'utilisateur max. : 136 kg / 300 lbs.

## **Comfort 4.0**

Dimension hors-tout : 120 x 55 x 134 cm

Définir le poids : 38 kg / 84 lbs.

Poids brut : 43,5 kg / 96 lbs.

Poids d'utilisateur max. : 136 kg / 300 lbs.

## **Comfort 8.1**

Dimension hors-tout : 120 x 55 x 134 cm

Définir le poids : 38 kg / 84 lbs.

Poids brut : 43,5 kg / 96 lbs.

Poids d'utilisateur max. : 136 kg / 300 lbs.

# FONCTIONNEMENT DU VÉLO

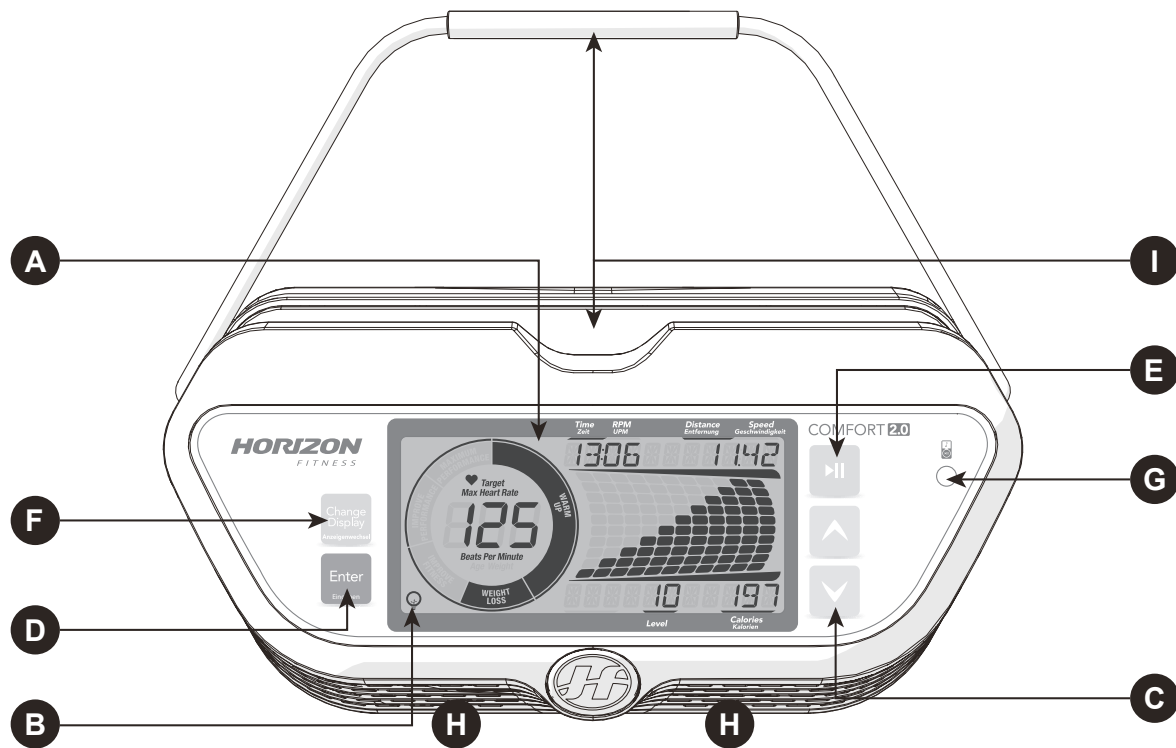


Cette section explique comment utiliser la console et la programmation de votre vélo.





Comfort  
2.0



## FONCTIONNEMENT DE LA CONSOLE COMFORT 2.0

Remarque : Il y a une mince feuille protectrice de plastique transparent sur le revêtement de la console qui doit être retirée avant utilisation.

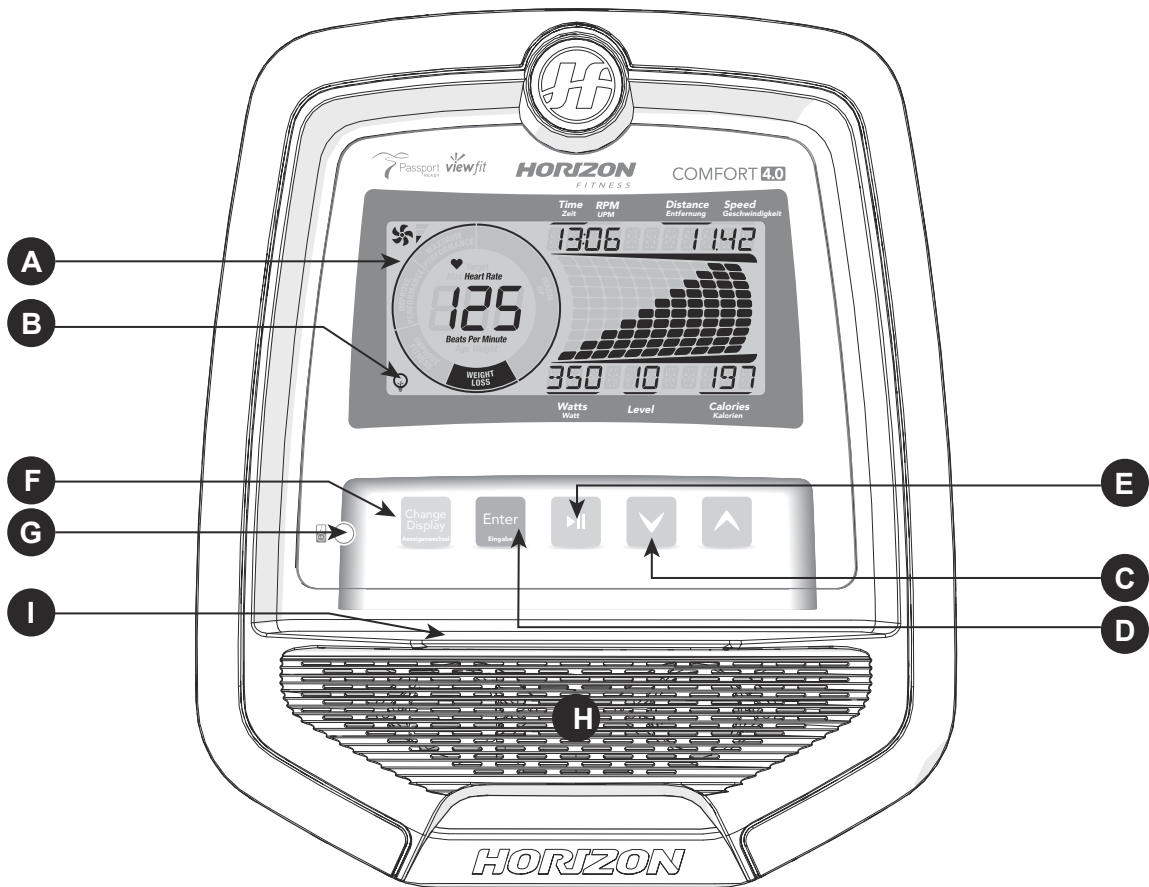
- A) **FENÊTRE D'AFFICHAGE LCD** : Temps, distance, calories, vitesse, tr / min, niveau de résistance, fréquence cardiaque, calories, roue FC, profil d'entraînement.
- B) **ÉCONOMISEUR D'ÉNERGIE** : sert à minimiser la consommation d'énergie ; votre machine passera automatiquement en mode d'économie d'énergie (après être passé en mode veille pendant 15 minutes) et peut être réveillée rapidement en appuyant sur un bouton.
- C) **▼ ▲ BOUTONS DE FLÈCHES** : les boutons de flèches vers le haut et vers le bas servent à sélectionner le programme, configurer votre console ou modifier la résistance pendant l'exercice.
- D) **BOUTON ENTER** : sert à confirmer le réglage du programme d'entraînement ou du profil utilisateur.
- E) **▶|| BOUTON START ET STOP** : appuyez pour commencer l'exercice, mettre votre entraînement en pause ou reprendre l'exercice après une pause Maintenez la position pendant 3 secondes pour réinitialiser la console.
- F) **BOUTON DE CHANGEMENT D'AFFICHAGE** : sert à faire défiler les modes d'affichage et les feedbacks d'entraînement. Appuyez pour changer de colonne d'affichage et basculer entre le mode d'affichage de profil pour la résistance (barre supérieure affichée) ou le profil de watt pour votre watt d'entraînement actuel (barre inférieure affichée).
- G) **PRISE D'ENTRÉE AUDIO** : sert à vous connecter à votre téléphone portable ou MP3 pour lire votre musique d'entraînement avec un haut-parleur intégré.
- H) **HAUT-PARLEUR** : écoutez de la musique via les haut-parleurs lorsque vous êtes connecté à votre lecteur multimédia.
- I) **APPAREIL INTELLIGENT ET SUPPORT DE LECTURE** : sert à poser votre smartphone, tablette ou matériel de lecture.



Comfort  
2.0



Comfort  
4.0



## FONCTIONNEMENT DE LA CONSOLE COMFORT 4.0

Remarque : Il y a une mince feuille protectrice de plastique transparent sur le revêtement de la console qui doit être retirée avant utilisation.

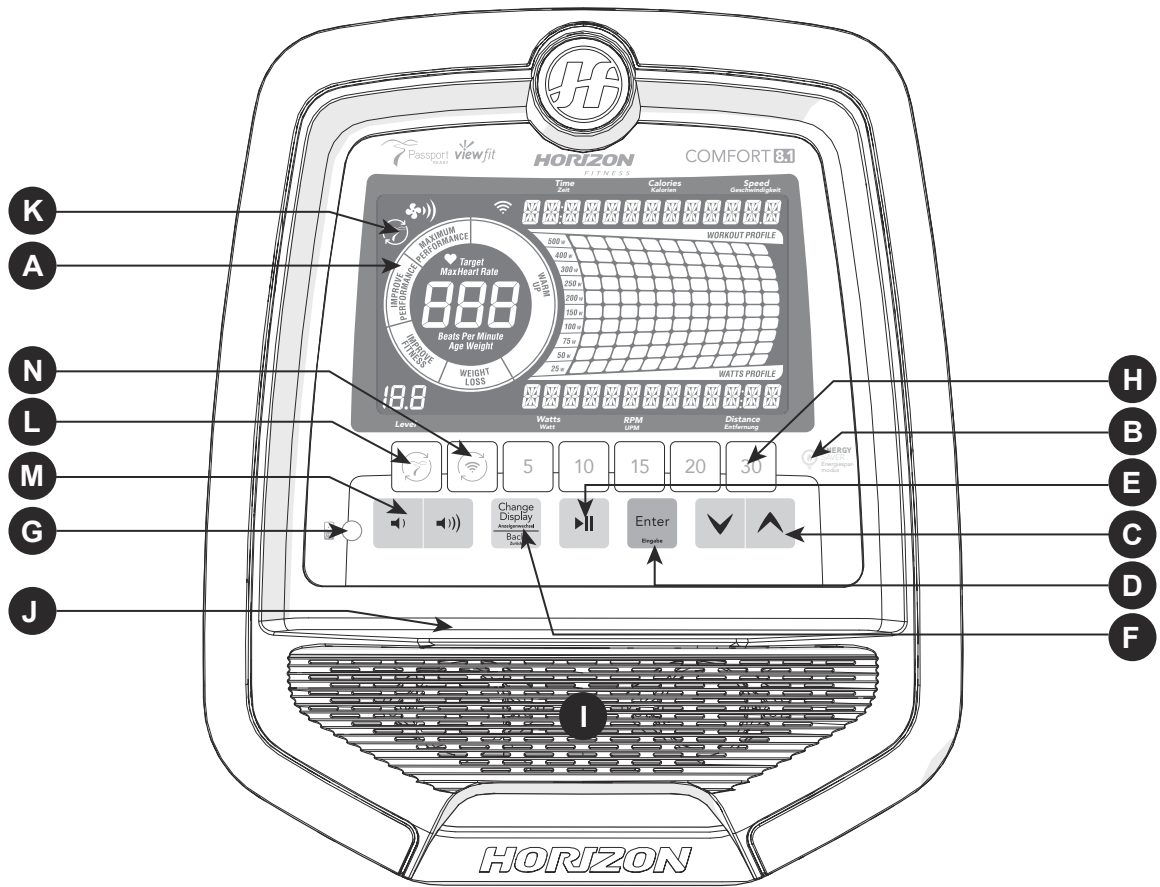
- A) **FENÊTRE D’AFFICHAGE LCD** : Temps, distance, calories, vitesse, tr / min, niveau de résistance, fréquence cardiaque, calories, watts, roue FC, profil.
- B) **ÉCONOMISEUR D’ÉNERGIE** : sert à minimiser la consommation d’énergie ; votre machine passera automatiquement en mode d’économie d’énergie (après être passé en mode veille pendant 15 minutes) et peut être réveillée rapidement en appuyant sur un bouton.
- C) **▼ ▲ BOUTONS DE FLÈCHES** : les boutons de flèches vers le haut et vers le bas servent à sélectionner le programme, configurer votre console ou modifier la résistance pendant l’exercice.
- D) **BOUTON ENTER** : sert à confirmer le réglage du programme d’entraînement ou du profil utilisateur.
- E) **BOUTON START ET STOP** : appuyez pour commencer l’exercice, mettre votre entraînement en pause ou reprendre l’exercice après une pause Maintenez la position pendant 3 secondes pour réinitialiser la console.
- F) **BOUTON DE CHANGEMENT D’AFFICHAGE** : sert à faire défiler les modes d’affichage et les feedbacks d’entraînement. Appuyez pour changer de colonne d’affichage et basculer entre le mode d’affichage de profil pour la résistance (barre supérieure affichée) ou le profil de watt pour votre watt d’entraînement actuel (barre inférieure affichée).  
(Remarque : utilisez avec le bouton de flèche vers le haut pour activer le processus de synchronisation de Passport ; voir page 50 pour plus de détails).
- G) **PRISE D’ENTRÉE AUDIO** : sert à vous connecter à votre téléphone portable ou MP3 pour lire votre musique d’entraînement avec un haut-parleur intégré.
- H) **HAUT-PARLEUR** : écoutez de la musique via les haut-parleurs lorsque vous êtes connecté à votre lecteur multimédia.
- I) **APPAREIL INTELLIGENT ET SUPPORT DE LECTURE** : sert à poser votre smartphone, tablette ou matériel de lecture.



Comfort  
4.0



Comfort  
8.1  
illustré

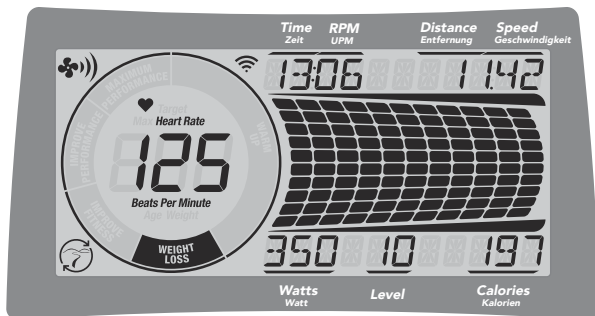


## FONCTIONNEMENT DE LA CONSOLE COMFORT 8.1 / R8.0

Remarque : Il y a une mince feuille protectrice de plastique transparent sur le revêtement de la console qui doit être retirée avant utilisation.

- A) **FENÊTRE D’AFFICHAGE LCD** : Temps, distance, vitesse, tr / min, niveau de résistance, fréquence cardiaque, calories, roue FC, Profil de résistance, connexion Passport.
- B) **ÉCONOMISEUR D’ÉNERGIE** : sert à minimiser la consommation d’énergie ; votre machine passera automatiquement en mode d’économie d’énergie (après être passé en mode veille pendant 15 minutes) et peut être réveillée rapidement en appuyant sur un bouton.
- C) **▼ ▲ BOUTONS DE FLÈCHES** : les boutons de flèches vers le haut et vers le bas servent à sélectionner le programme, configurer votre console ou modifier la résistance pendant l'exercice.
- D) **BOUTON ENTER** : sert à confirmer le réglage du programme d'entraînement ou du profil utilisateur.
- E) **▶|| BOUTON START ET STOP** : appuyez pour commencer l'exercice, mettre votre entraînement en pause ou reprendre l'exercice après une pause Maintenez la position pendant 3 secondes pour réinitialiser la console.
- F) **BOUTON DE CHANGEMENT D’AFFICHAGE / RETOUR** : sert à faire défiler les modes d’affichage et les feedbacks d’entraînement. Appuyez pour changer de colonne d’affichage et basculer entre le mode d’affichage de profil pour la résistance (barre supérieure affichée) ou le profil de watt pour votre watt d’entraînement actuel (barre inférieure affichée). Sert également à revenir à la progression de la configuration utilisateur.
- G) **PRISE D’ENTRÉE AUDIO** : sert à vous connecter à votre téléphone portable ou MP3 pour lire votre musique d’entraînement avec un haut-parleur intégré.
- H) **BOUTON DIRECT DE RÉSISTANCE** : sert à choisir la résistance d’entraînement souhaitée.
- I) **HAUT-PARLEUR** : écoutez de la musique via les haut-parleurs lorsque vous êtes connecté à votre lecteur multimédia.
- J) **APPAREIL INTELLIGENT ET SUPPORT DE LECTURE** : sert à poser votre smartphone, tablette ou matériel de lecture.
- K) **PASSPORT** : Il apparaît à l’écran lorsque la machine est connectée à Passport.
- L) **TOUCHE RAPIDE PASSPORT** : sert à se connecter à Passport. Appuyez pour effectuer la synchronisation avec Passport.
- M) **BOUTON DE VOLUME** : sert à augmenter et à diminuer le volume.
- N) **CONNEXION WI-FI & SYNC & FUSEAU HORAIRE**: sert à réinitialiser et activer votre connexion Internet sans fil et définir le fuseau horaire. Voir page 36 pour plus d’informations.





## FENÊTRES D'AFFICHAGE

- **TEMPS** Représenté en minutes : secondes. Affichez le temps restant ou le temps écoulé dans votre entraînement.
- **TPM** : Révolutions par minute.
- **DISTANCE** : Indiqué en km. Indique la distance parcourue ou la distance restante pendant votre entraînement.
- **VITESSE** : Affichée en km/h Indique la vitesse de déplacement des roues.
- **WATTS (COMFORT 4.0 UNIQUEMENT)** : Affiche la puissance de sortie actuelle de l'utilisateur. Les performances en watts de votre entraînement seront également calculées et affichées sous la forme d'un profil matriciel à droite.
- **NIVEAU** : Affiche le niveau actuel de résistance.
- **CALORIES** : Total des calories brûlées pendant votre entraînement.

- **FRÉQUENCE CARDIAQUE** Représentée en BPM (battements par minute). Sert à surveiller votre fréquence cardiaque.
- **FRÉQUENCE CARDIAQUE MAXIMALE** : Affiche votre fréquence cardiaque maximale. Le bouton de Changement d'affichage bascule entre votre FRÉQUENCE CARDIAQUE MAXIMALE et votre FRÉQUENCE CARDIAQUE actuelle. La FRÉQUENCE CARDIAQUE MAXIMALE est calculée en tant que  $(220 - \text{âge}) \times 0,85$ .
- **ROUE DE FRÉQUENCE CARDIAQUE** : Affiche votre zone d'activité actuelle pendant votre entraînement. Avec cette roue de fréquence cardiaque, vous pouvez être certain que votre niveau d'exercice correspond à votre objectif d'entraînement.

ÉCHAUFFEMENT : 0-60% de la fréquence cardiaque maximale.

PERTE DE POIDS : 60-70% de la fréquence cardiaque maximale.

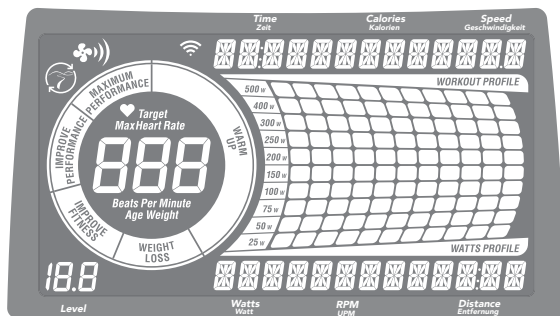
AMÉLIORATION DE LA FORME PHYSIQUE : 70-80% de la fréquence cardiaque maximale.

AMÉLIORATION DES PERFORMANCES : 80-90% de la fréquence cardiaque maximale.

PERFORMANCES MAXIMALES : 90-100% de la fréquence cardiaque maximale.

- **ÉCONOMISEUR D'ÉNERGIE** : Indique lorsque la machine est en mode d'économie d'énergie pour économiser la consommation d'énergie (voir page 51 pour plus d'informations).
- **PASSPORT (COMFORT 4.0 UNIQUEMENT)** : Indique quand la machine est en mode Passport pour se synchroniser avec Passport.

## AFFICHAGES COMFORT 8.1 / R8.0



### FENÊTRES D'AFFICHAGE

- **TEMPS** Représenté en minutes : secondes. Affichez le temps restant ou le temps écoulé dans votre entraînement.
- **TPM** : Révolutions par minute.
- **DISTANCE** : Indiqué en km. Indique la distance parcourue ou la distance restante pendant votre entraînement.
- **VITESSE** : Affichée en km/h Indique la vitesse de déplacement des roues.
- **WATTS** : Affiche la puissance de sortie actuelle de l'utilisateur.
- **NIVEAU** : Affiche le niveau actuel de résistance.
- **CALORIES** : Total des calories brûlées pendant votre entraînement.
- **FRÉQUENCE CARDIAQUE** Représentée en BPM (battements par minute). Sert à surveiller votre fréquence cardiaque.

- **FRÉQUENCE CARDIAQUE MAXIMALE** : Affiche votre fréquence cardiaque maximale. Le bouton de Changement d'affichage bascule entre votre FRÉQUENCE CARDIAQUE MAXIMALE et votre FRÉQUENCE CARDIAQUE actuelle. La FRÉQUENCE CARDIAQUE MAXIMALE est calculée en tant que  $(220 - \text{âge}) \times 0,85$ .

- **ROUE DE FRÉQUENCE CARDIAQUE** : Affiche votre zone d'activité actuelle pendant votre entraînement. Avec cette roue de fréquence cardiaque, vous pouvez être certain que votre niveau d'exercice correspond à votre objectif d'entraînement.

ÉCHAUFFEMENT : 0-60% de la fréquence cardiaque maximale.

PERTE DE POIDS : 60-70% de la fréquence cardiaque maximale.

AMÉLIORATION DE LA FORME PHYSIQUE : 70-80% de la fréquence cardiaque maximale.

AMÉLIORATION DES PERFORMANCES : 80-90% de la fréquence cardiaque maximale.

PERFORMANCES MAXIMALES : 90-100% de la fréquence cardiaque maximale.

- **ÉCHELLE DE WATT ET AFFICHAGE DU PROFIL** : indique votre watt d'entraînement actuel, ex. Un point de 50 W s'allume pour s'afficher lorsque vous atteignez ou sélectionnez 25 à 50 watts. Vous pouvez utiliser la touche Changement d'affichage pour revenir à l'affichage du profil d'entraînement. Remarque : L'échelle ne montrera que jusqu'à 400 W dans les programmes Watts pour refléter votre plage de watts cible de 25 à 400 watts.

- **ÉCONOMISEUR D'ÉNERGIE** : Indique lorsque la machine est en mode d'économie d'énergie pour économiser la consommation d'énergie (voir page 51 pour plus d'informations).

- **PASSPORT** : Indique quand la machine est en mode Passport pour se synchroniser avec Passport.

- **WI-FI** : Indique que la présence de la connexion sans fil ainsi que la force (faible, moyenne, élevée).



Comfort  
8.1 / R8.0






## CONFIGURER LE COMPTE xID POUR LA CONNECTIVITÉ VIEWFIT

La création d'un compte xID vous permettra d'enregistrer et de partager des données d'entraînement en ligne sur **viewfit.com**. Jusqu'à quatre utilisateurs peuvent être enregistrés sur une machine. Ce processus est la première étape dans la connexion de votre équipement. Il doit être effectué à partir d'un ordinateur, d'une tablette ou d'un appareil mobile.

- 1) Visitez le site web : **viewfit.com**
- 2) Une fois sur le site Web, sélectionnez l'option CONNECTER VOTRE ÉQUIPEMENT dans la barre de menu supérieure.
- 3) La première étape de la connexion de votre équipement consistera à créer votre compte xID. Ce sera votre connexion à ViewFit.
- 4) Entrez votre numéro de téléphone ou un autre numéro de 10 à 14 chiffres facile à retenir. Ce sera votre numéro de compte.
- 5) Remplissez vos informations de profil pour terminer le processus de configuration du compte xID. Il vous sera demandé de fournir une adresse e-mail non associée à un autre compte xID. Vérifiez votre e-mail après le processus de configuration pour obtenir un lien afin de valider votre compte.

## CONNEXION WI-FI

Une fois votre compte xID créé, vous pourrez passer à l'activation du Wi-Fi sur votre équipement. Rappel : il faut pour ce faire que vous utilisiez votre ordinateur, tablette ou appareil mobile connecté à Internet.

- 6) Appuyez et maintenez  enfoncé pendant 3-5 secondes ; vous pouvez utiliser le bouton haut / bas pour définir votre fuseau horaire ; veuillez vous référer au code de fuseau horaire à la dernière page, puis appuyez sur le bouton Enter, vous verrez le message ACTIVÉ sur votre écran.
- 7) Sur votre ordinateur ou autre appareil, accédez à vos paramètres Wi-Fi. Vous devez sélectionner le réseau « ViewFit ». Cela vous permettra de connecter votre équipement à votre réseau sans fil.
- 8) Une nouvelle fenêtre apparaîtra avec la liste des réseaux sans fil que votre équipement peut voir. Sélectionnez votre réseau Wi-Fi domestique et connectez-vous.
- 9) L'étape restante consiste à reconnecter votre ordinateur ou autre appareil à votre réseau Wi-Fi. Accédez à nouveau à vos paramètres et connectez-vous comme vous le feriez normalement.

Toutes nos félicitations ! Vous êtes maintenant connecté(e) et prêt(e) à démarrer.

## GUIDE DE DÉMARRAGE

### QUICK START

- 1) Assurez-vous que l'appareil est sous tension.
- 2) Appuyez sur START / STOP ►|| pour commencer à vous entraîner en mode MANUEL.
- 3) Appuyez sur ▲ ▼ pour régler le niveau de résistance pendant l'entraînement.

### COMMENCEZ VOTRE ENTRAÎNEMENT

- 1) Sélectionnez hôte / utilisateur1 / utilisateur2 / utilisateur3 / utilisateur4.
- 2) Sélectionnez le programme souhaité.
- 3) Sélectionnez votre sexe (requis uniquement dans le cadre du programme Fit-Test).
- 4) Sélectionnez les paramètres du programme, l'heure, le niveau, etc.
- 5) Appuyez sur Start / Stop ►|| pour démarrer votre entraînement.

## POUR EFFACER LA SÉLECTION / RÉINITIALISER LA CONSOLE

Maintenez START / STOP ►|| enfoncé pendant 3 secondes.



## FIN DE VOTRE ENTRAÎNEMENT

Lorsque votre entraînement sera terminé, le vélo s'arrêtera en émettant un bip. Vous pouvez débrancher la machine ou elle passera en mode d'économie d'énergie dans 15 minutes.



## INFORMATIONS SUR LE PROGRAMME

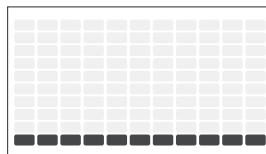
**Comfort 2.0 :** 11 programmes (manuel / intervalles / jeu / perte de poids / roulement / cadence / aléatoire / zone THR / % THR / personnalisé 1 / personnalisé 2)

**Comfort 4.0 :** 14 programmes (watts constants / manuel / intervalles / jeu / test de condition physique / perte de poids / perte de poids plus / roulement / cadence / aléatoire / zone THR / % THR / personnalisé 1 / personnalisé 2)

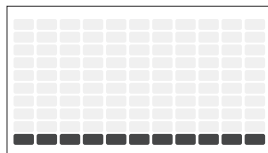
**Comfort 8.1:** 16 programmes (Watts constants / Watts d'intervalle / Manuel / Intervalles / Jeu / Test de condition physique / Perte de poids / Perte de poids plus / Roulement / Cadence / Aléatoire / Zone THR / % THR / Constructeur de force / personnalisé 1 / personnalisé 2)

**Comfort R8.0:** 16 programmes (Watts constants / Watts d'intervalle / Manuel / Intervalles / Jeu / Test de condition physique / Perte de poids / Perte de poids plus / Roulement / Cadence / Aléatoire / Zone THR / % THR / Constructeur de force / personnalisé 1 / personnalisé 2)

**1) MANUEL:** Vous permet d'ajuster le niveau de résistance selon vos préférences, sans programme prédéfini. Réglez votre résistance manuellement pendant votre entraînement. L'utilisateur définit le temps et la résistance à l'aide de (flèches haut / bas) et ENTER.



2) **INTERVALLES** : Améliore votre force, votre vitesse et votre endurance en augmentant et en abaissant les niveaux de résistance tout au long de votre entraînement pour impliquer à la fois votre cœur et vos muscles. Programme basé sur le temps avec 16 niveaux au choix. L'utilisateur définit le temps et le niveau à l'aide de (flèches haut / bas) et ENTER.



(Comfort 2.0)

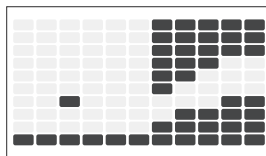
INTERVALLES																				
	Échauffement				Segments de programme - Répéter												Refroidissement			
Secondes	60	60	60	60	30	60	60	30	30	60	30	60	60	30	30	60	60	60	60	
Segment	1	2	3	4	5	6	7	8	9	10	11	12	13	14	15	16	17	18	19	20
Niveau 1	1	2	2	3	5	1	1	5	5	1	5	1	1	5	5	1	3	2	2	1
Niveau 2	1	2	2	3	6	2	2	6	6	2	6	2	2	6	6	2	3	2	2	1
Niveau 3	1	2	2	4	7	3	3	7	7	3	7	3	3	7	7	3	4	2	2	1
Niveau 4	1	2	2	5	8	4	4	8	8	4	8	4	4	8	8	4	5	2	2	1
Niveau 5	2	3	5	6	9	5	5	9	9	5	9	5	5	9	9	5	6	5	3	2
Niveau 6	2	3	5	7	10	6	6	10	10	6	10	6	6	10	10	6	7	5	3	2
Niveau 7	2	3	5	8	11	7	7	11	11	7	11	7	7	11	11	7	8	5	3	2
Niveau 8	2	3	5	9	12	8	8	12	12	8	12	8	8	12	12	8	9	5	3	2
Niveau 9	3	4	5	10	13	9	9	13	13	9	13	9	9	13	13	9	10	5	4	3
Niveau 10	3	4	8	11	14	10	10	14	14	10	14	10	10	14	14	10	11	8	4	3
Niveau 11	3	6	10	12	15	11	11	15	15	11	15	11	11	15	15	11	12	10	6	3
Niveau 12	3	6	10	13	16	12	12	16	16	12	16	12	12	16	16	12	13	10	6	3

(Comfort 4.0, 8.1, R8.0)

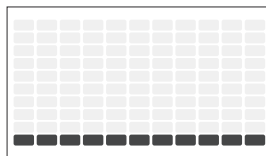
INTERVALLES																				
	Échauffement				Segments de programme - Répéter												Refroidissement			
Secondes	60	60	60	60	30	60	60	30	30	60	30	60	60	30	60	60	60	60	60	
Segment	1	2	3	4	5	6	7	8	9	10	11	12	13	14	15	16	17	18	19	20
Niveau 1	1	3	3	4	7	1	1	7	7	1	7	1	1	7	7	1	4	3	3	1
Niveau 2	1	3	3	4	9	3	3	9	9	3	9	3	3	9	9	3	4	3	3	1
Niveau 3	1	3	3	6	10	4	4	10	10	4	10	4	4	10	10	4	6	3	3	1
Niveau 4	1	3	3	7	12	6	6	12	12	6	12	6	6	12	12	6	7	3	3	1
Niveau 5	3	4	7	9	13	7	7	13	13	7	13	7	7	13	13	7	9	7	4	3
Niveau 6	3	4	7	10	15	9	9	15	15	9	15	9	9	15	15	9	10	7	4	3
Niveau 7	3	4	7	12	16	10	10	16	16	10	16	10	10	16	16	10	12	7	4	3
Niveau 8	3	4	7	13	18	12	12	18	18	12	18	12	12	18	18	12	13	7	4	3
Niveau 9	4	6	7	15	19	13	13	19	19	13	19	13	13	19	19	13	15	7	6	4
Niveau 10	4	6	12	16	21	15	15	21	21	15	21	15	15	21	21	15	16	12	6	4
Niveau 11	4	9	15	18	22	16	16	22	22	16	22	16	16	22	22	16	18	15	9	4
Niveau 12	4	9	15	19	24	18	18	24	24	18	24	18	18	24	24	18	19	15	9	4
Niveau 13	7	13	19	21	25	19	19	25	25	19	25	19	19	25	25	19	21	19	13	7
Niveau 14	7	13	19	22	27	21	21	27	27	21	27	21	21	27	27	21	22	19	13	7
Niveau 15	7	13	19	24	28	22	22	28	28	22	28	22	22	28	28	22	24	19	13	7
Niveau 16	7	13	19	25	30	24	24	30	30	24	30	24	24	30	30	24	25	19	13	7



- 3) **JEU** : Ce jeu d'échauffement simule un jeu de course automobile. Pour commander la voiture vers le haut et vers le bas, vous pédalez plus vite ou plus lentement. Essayez d'éviter ces obstacles et gardez le cap. Vos chances restantes seront affichées sur l'écran LCD supérieur avec 10 points et chaque fois que vous passerez une barrière, un point sera supprimé. Vous n'avez que 11 chances pour terminer le circuit, alors soyez prudent(e).

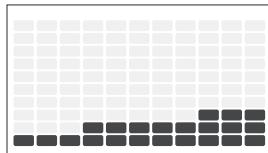


- 4) **TEST DE FITNESS** : Testez votre niveau actuel de condition physique. Gardez les tr / min entre 60 et 80 pendant le test ; le programme changera automatiquement la résistance pendant le test selon un graphique intégré. Essayez de garder vos tr / min jusqu'à ce que vous ne puissiez plus aller plus loin. La console recherchera dans le tableau et vous donnera l'estimation de votre condition physique actuelle.



Scores	Résultats
1-4	Très faible
5-6	Faible
7-8	Moyenne
9-10	Bien
>10	Excellent

- 5) **PERTE DE POIDS** : Favorise la perte de poids en augmentant et diminuant le niveau de résistance, tout en vous maintenant dans votre zone de combustion des graisses. Programme basé sur le temps avec 16 niveaux au choix. L'utilisateur définit le temps et le niveau à l'aide de (flèches haut / bas) et ENTER. Veuillez boire suffisamment d'eau pendant et après l'exercice pour améliorer les résultats de la perte de poids.



(Comfort 2.0)

PERTE DE POIDS																					
	Échauffement					Segments de programme - Répéter										Refroidissement					
Secondes	60	60	60	60	60	60	60	60	60	60	60	60	60	60	60	60	60	60	60	60	
Segment	1	2	3	4	5	6	7	8	9	10	11	12	13	14	15	16	17	18	19	20	
Niveau 1	1	2	2	3	3	3	4	4	5	5	5	5	4	4	3	3	3	2	2	1	
Niveau 2	1	2	2	3	4	4	5	5	6	6	6	6	5	5	4	4	3	2	2	1	
Niveau 3	1	2	2	4	5	5	6	6	7	7	7	7	6	6	5	5	4	2	2	1	
Niveau 4	1	2	2	5	6	6	7	7	8	8	8	8	7	7	6	6	5	2	2	1	
Niveau 5	2	3	5	6	7	7	8	8	9	9	9	9	8	8	7	6	5	3	2	2	
Niveau 6	2	3	5	7	8	8	9	9	10	10	10	10	9	9	8	8	7	5	3	2	
Niveau 7	2	3	5	8	9	9	10	10	11	11	11	11	11	10	10	9	8	5	3	2	
Niveau 8	2	3	5	9	10	10	11	11	12	12	12	12	12	11	11	10	9	5	3	2	
Niveau 9	3	4	5	10	11	11	12	12	13	13	13	13	13	12	12	11	10	5	4	3	
Niveau 10	3	4	8	11	12	12	13	13	14	14	14	14	14	13	13	12	12	11	8	4	3
Niveau 11	3	6	10	12	13	13	14	14	15	15	15	15	15	14	14	13	13	12	10	6	3
Niveau 12	3	6	10	13	14	14	15	15	16	16	16	16	16	15	15	14	14	13	10	6	3

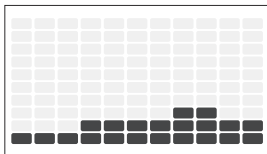
PERTE DE POIDS																					
	Échauffement					Segments de programme - Répéter										Refroidissement					
Secondes	60	60	60	60	60	60	60	60	60	60	60	60	60	60	60	60	60	60	60	60	
Segment	1	2	3	4	5	6	7	8	9	10	11	12	13	14	15	16	17	18	19	20	
Niveau 1	1	3	3	4	4	4	6	6	7	7	7	7	6	6	4	4	4	3	3	1	
Niveau 2	1	3	3	4	6	6	7	7	9	9	9	9	7	7	6	6	4	3	3	1	
Niveau 3	1	3	3	6	7	7	9	9	10	10	10	10	10	9	9	7	6	3	3	1	
Niveau 4	1	3	3	7	9	9	10	10	12	12	12	12	12	10	10	9	9	7	3	3	1
Niveau 5	3	4	7	9	10	10	12	12	13	13	13	13	12	12	10	10	9	7	4	3	
Niveau 6	3	4	7	10	12	12	13	13	15	15	15	15	13	13	12	12	10	7	4	3	
Niveau 7	3	4	7	12	13	13	15	15	16	16	16	16	15	15	13	13	12	7	4	3	
Niveau 8	3	4	7	13	15	15	16	16	18	18	18	18	16	16	15	15	13	7	4	3	
Niveau 9	4	6	7	15	16	16	18	18	19	19	19	19	18	18	16	16	15	7	6	4	
Niveau 10	4	6	12	16	18	18	19	19	21	21	21	21	19	19	18	18	16	12	6	4	
Niveau 11	4	9	15	18	19	19	21	21	22	22	22	22	21	21	19	19	18	15	9	4	
Niveau 12	4	9	15	19	21	21	22	22	24	24	24	24	22	22	21	21	19	15	9	4	
Niveau 13	7	13	19	21	22	22	24	24	25	25	25	25	24	24	22	22	21	19	13	7	
Niveau 14	7	13	19	22	24	24	25	25	27	27	27	27	25	25	24	24	22	19	13	7	
Niveau 15	7	13	19	24	25	25	27	27	28	28	28	28	27	27	25	25	24	19	13	7	
Niveau 16	7	13	19	25	27	27	28	28	30	30	30	30	28	28	27	27	25	19	13	7	

(Comfort 4.0, 8.1, R8.0)





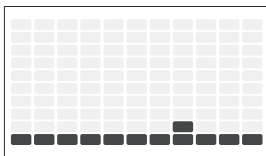
**6) PERTE DE POIDS PLUS :** Favorise la perte de poids en augmentant et diminuant la résistance, tout en vous maintenant dans votre zone de combustion des graisses. Programme basé sur le temps avec 15 niveaux au choix et une intensité plus élevée que le programme de perte de poids. L'utilisateur définit le temps et le niveau en utilisant (flèches haut / bas) et ENTER. Veuillez boire suffisamment d'eau pendant et après l'exercice pour améliorer les résultats de la perte de poids.



PERTE DE POIDS PLUS																				
	Échauffement				Segments de programme - Répéter												Repos			
Secondes	60	60	60	60	60	60	60	60	60	60	60	60	60	60	60	60	60	60	60	
Segment	1	2	3	4	5	6	7	8	9	10	11	12	13	14	15	16	17	18	19	20
Niveau 1	1	3	3	4	6	4	6	7	7	4	6	9	9	7	6	4	4	3	3	1
Niveau 2	3	4	4	4	7	6	7	9	9	6	7	10	10	9	7	6	4	4	4	3
Niveau 3	3	4	6	6	9	7	9	10	10	7	9	12	12	10	9	7	6	6	4	3
Niveau 4	3	6	6	7	10	9	10	12	12	9	10	13	13	12	10	9	7	6	6	3
Niveau 5	4	6	7	9	12	10	12	13	13	10	12	15	15	13	12	10	9	7	6	4
Niveau 6	4	7	9	9	13	12	13	15	15	12	13	16	16	15	13	12	9	9	7	4
Niveau 7	6	9	10	10	15	13	15	16	16	13	15	18	18	16	15	13	10	10	9	6
Niveau 8	6	9	10	12	16	15	16	18	18	15	16	19	19	18	16	15	12	10	9	6
Niveau 9	6	10	12	13	18	16	18	19	19	16	18	21	21	19	18	16	13	12	10	6
Niveau 10	7	10	13	13	19	18	19	21	21	18	19	22	22	21	19	18	13	13	10	7
Niveau 11	7	12	13	15	21	19	21	22	22	19	21	24	24	22	21	19	15	13	12	7
Niveau 12	9	13	15	16	22	21	22	24	24	21	22	25	25	24	22	21	16	15	13	9
Niveau 13	9	13	16	18	24	22	24	25	25	22	24	27	27	25	24	22	18	16	13	9
Niveau 14	9	15	16	18	25	24	25	27	27	24	25	28	28	27	25	24	18	16	15	9
Niveau 15	10	15	18	19	27	25	27	28	28	25	27	30	30	28	27	25	19	18	15	10

(Comfort 4.0, 8.1, R8.0)

7) **ROULEMENT** : Maintient le poids en augmentant et en abaissant progressivement le niveau de résistance pour augmenter et réduire progressivement votre fréquence cardiaque.



(Comfort 2.0)

ROULEMENT																		
	Échauffement				Segments de programme										Repos			
Secondes	60	60	60	60	30	30	30	30	30	30	30	30	30	30	60	60	60	60
Segment	1	2	3	4	5	6	7	8	9	10	11	12	13	14	15	16	17	18
Niveau 1	1	1	2	2	1	2	3	4	3	2	1	2	3	2	1	1	1	1
Niveau 2	1	2	2	3	2	3	4	5	4	3	2	1	2	3	2	1	1	1
Niveau 3	2	2	3	3	3	4	5	6	7	8	7	6	5	4	2	1	1	1
Niveau 4	2	3	3	4	4	5	6	7	8	9	8	7	6	5	3	1	1	1
Niveau 5	3	4	4	4	5	6	7	8	9	10	9	8	7	6	3	3	2	1
Niveau 6	3	5	4	5	6	7	8	9	10	10	10	9	8	7	4	3	2	1
Niveau 7	4	5	5	5	7	7	8	8	9	9	10	10	9	8	4	3	2	1
Niveau 8	4	5	5	5	8	8	9	9	10	10	11	11	10	9	4	3	2	1
Niveau 9	4	5	5	5	9	9	10	10	11	11	12	12	11	10	5	4	3	1
Niveau 10	4	5	6	6	10	10	11	11	12	12	13	13	12	11	6	5	4	1
Niveau 11	4	5	7	7	11	11	12	12	13	13	14	14	13	12	6	5	4	1
Niveau 12	4	5	8	8	12	12	13	13	14	14	15	15	14	13	7	6	5	1
Niveau 13	4	5	9	9	13	13	14	14	15	15	16	16	15	14	7	6	5	1
Niveau 14	4	5	9	9	14	14	15	15	16	16	17	17	16	15	8	7	6	1

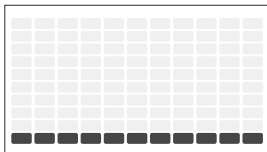
ROULEMENT																		
	Échauffement				Segments de programme										Repos			
Secondes	60	60	60	60	30	30	30	30	30	30	30	30	30	30	60	60	60	60
Segment	1	3	4	6	7	9	10	12	13	15	16	18	19	21	22	24	25	27
Niveau 1	1	1	3	3	1	3	4	6	4	3	1	3	4	3	1	1	1	1
Niveau 2	1	3	3	4	3	4	6	7	6	4	3	1	3	4	3	1	1	1
Niveau 3	3	3	4	4	4	6	7	9	10	12	10	9	7	6	3	1	1	1
Niveau 4	3	4	4	6	6	7	9	10	12	13	12	10	9	7	4	1	1	1
Niveau 5	4	6	6	6	7	9	10	12	13	15	13	12	10	9	4	4	3	1
Niveau 6	4	7	6	7	9	10	12	13	15	15	15	13	12	10	6	4	3	1
Niveau 7	6	7	7	7	10	10	12	12	13	13	15	15	13	12	6	4	3	1
Niveau 8	6	7	7	7	12	12	13	13	15	15	16	16	15	13	6	4	3	1
Niveau 9	6	7	7	7	13	13	15	15	16	16	18	18	16	15	7	6	4	1
Niveau 10	6	7	9	9	15	15	16	16	18	18	19	19	18	16	9	7	6	1
Niveau 11	6	7	10	10	16	16	18	18	19	19	21	21	19	18	9	7	6	1
Niveau 12	6	7	12	12	18	18	19	19	21	21	22	22	21	19	10	9	7	1
Niveau 13	6	7	13	13	19	19	21	21	22	22	24	24	22	21	10	9	7	1
Niveau 14	6	7	13	13	21	21	22	22	24	24	25	25	24	22	12	10	9	1

(Comfort 4.0, 8.1, R8.0)





8) **CADENCE** : Programme d'entraînement vélo spécial pour développer votre endurance et augmenter votre endurance. Ce programme augmentera progressivement le niveau de résistance et vous invitera à pédaler à basse vitesse (L : low), vitesse moyenne (M) ou haute vitesse (H) pour vous aider à atteindre votre objectif de fitness.



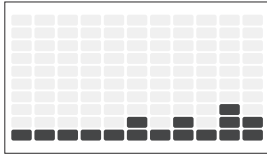
(Comfort 2.0)

CADENCE																				
	Échauffement				L	M	L	H	M	L	H	M	L	H	M	L	Refroidissement			
Secondes	60	60	60	60	90	45	90	30	45	90	30	45	90	30	45	90	60	60	60	60
Segment	1	2	3	4	5	6	7	8	9	10	11	12	13	14	15	16	17	18	19	20
Niveau 1	2	1	1	2	3	2	3	1	2	3	1	2	3	1	2	3	2	1	1	1
Niveau 2	1	1	1	2	4	3	4	2	3	4	2	3	4	2	3	4	2	1	1	1
Niveau 3	1	1	1	2	5	4	5	3	4	5	3	4	5	3	4	5	2	1	1	1
Niveau 4	1	1	1	3	6	5	6	4	5	6	4	5	6	4	5	6	3	1	1	1
Niveau 5	1	2	3	3	7	6	7	5	6	7	5	6	7	5	6	7	3	3	2	1
Niveau 6	1	2	3	4	8	7	8	6	7	8	6	7	8	6	7	8	4	3	2	1
Niveau 7	1	2	3	4	9	8	9	7	8	9	7	8	9	7	8	9	4	3	2	1
Niveau 8	1	2	3	5	10	9	10	8	9	10	8	9	10	8	9	10	5	3	2	1
Niveau 9	1	1	1	2	11	10	11	9	10	11	9	10	11	9	10	11	2	1	1	1
Niveau 10	1	1	1	2	12	11	12	10	11	12	10	11	12	10	11	12	2	1	1	1
Niveau 11	2	2	2	3	13	12	13	11	12	13	11	12	13	11	12	13	2	1	1	1
Niveau 12	3	3	3	4	14	13	14	12	13	14	12	13	14	12	13	14	3	1	1	1
Niveau 13	3	4	4	5	15	14	15	13	14	15	13	14	15	13	14	15	3	3	2	1
Niveau 14	3	4	5	6	16	15	16	14	15	16	14	15	16	14	15	16	4	3	2	1

CADENCE																				
	Échauffement				L	M	L	H	M	L	H	M	L	H	M	L	Refroidissement			
Secondes	60	60	60	60	90	45	90	30	45	90	30	45	90	30	45	90	60	60	60	60
Segment	1	2	3	4	5	6	7	8	9	10	11	12	13	14	15	16	17	18	19	20
Niveau 1	3	1	1	3	4	3	4	1	3	4	1	3	4	1	3	4	3	1	1	1
Niveau 2	1	1	1	3	6	4	6	3	4	6	3	4	6	3	4	6	3	1	1	1
Niveau 3	1	1	1	3	7	6	7	4	6	7	4	6	7	4	6	7	3	1	1	1
Niveau 4	1	1	1	4	9	7	9	6	7	9	6	7	9	6	7	9	4	1	1	1
Niveau 5	1	3	4	4	10	9	10	7	9	10	7	9	10	7	9	10	4	4	3	1
Niveau 6	1	3	4	6	12	10	12	9	10	12	9	10	12	9	10	12	6	4	3	1
Niveau 7	1	3	4	6	13	12	13	10	12	13	10	12	13	10	12	13	6	4	3	1
Niveau 8	1	3	4	7	15	13	15	12	13	15	12	13	15	12	13	15	7	4	3	1
Niveau 9	1	1	1	3	16	15	16	13	15	16	13	15	16	13	15	16	3	1	1	1
Niveau 10	1	1	1	3	18	16	18	15	16	18	15	16	18	15	16	18	3	1	1	1
Niveau 11	3	3	3	4	19	18	19	16	18	19	16	18	19	16	18	19	3	1	1	1
Niveau 12	4	4	4	6	21	19	21	18	19	21	18	19	21	18	19	21	4	1	1	1
Niveau 13	4	6	6	7	22	21	22	19	21	22	19	21	22	19	21	22	4	4	3	1
Niveau 14	4	6	7	9	24	22	24	21	22	24	21	22	24	21	22	24	6	4	3	1
Niveau 15	4	7	9	10	25	24	25	22	24	25	22	24	25	22	24	25	6	4	3	1
Niveau 16	6	9	10	12	27	25	27	24	25	27	24	25	27	24	25	27	7	4	3	1

(Comfort 4.0, 8.1, R8.0)

9) **ALÉATOIRE** : Programme basé sur un graphique spécialement conçu qui simulera la résistance en train d'être modifiée de manière aléatoire.



(Comfort 2.0)

ALÉATOIRE																				
	Échauffement					Segments de programme										Repos				
Secondes	60	60	60	60	60	60	60	60	60	60	60	60	60	60	60	60	60	60	60	60
Segment	1	2	3	4	5	6	7	8	9	10	11	12	13	14	15	16	17	18		
Niveau 1	1	1	2	2	1	3	5	2	4	7	2	3	6	1	1	1	1	1		
Niveau 2	1	2	2	3	2	4	6	3	5	8	3	4	7	2	2	1	1	1		
Niveau 3	2	2	3	3	3	5	7	4	6	9	4	5	8	3	2	1	1	1		
Niveau 4	2	3	3	4	4	6	8	5	7	10	5	6	9	4	3	1	1	1		
Niveau 5	3	4	4	4	5	7	9	6	8	11	6	7	10	5	3	3	2	1		
Niveau 6	3	5	4	5	6	8	10	7	9	12	7	8	11	6	4	3	2	1		
Niveau 7	4	5	5	5	7	9	11	8	10	13	8	9	12	7	4	3	2	1		
Niveau 8	4	5	5	5	8	10	12	9	11	14	9	10	13	8	4	3	2	1		
Niveau 9	4	5	5	5	9	11	13	10	12	15	10	11	14	9	5	4	3	1		
Niveau 10	4	5	6	6	10	12	14	11	13	16	11	12	15	10	5	4	3	1		

ALÉATOIRE																				
	Échauffement					Segments de programme										Repos				
Secondes	60	60	60	60	60	60	60	60	60	60	60	60	60	60	60	60	60	60	60	60
Segment	1	2	3	4	5	6	7	8	9	10	11	12	13	14	15	16	17	18		
Niveau 1	1	1	3	3	1	4	7	3	6	10	3	4	9	1	1	1	1	1		
Niveau 2	1	3	3	4	3	6	9	4	7	12	4	6	10	3	3	1	1	1		
Niveau 3	3	3	4	4	4	7	10	6	9	13	6	7	12	4	3	1	1	1		
Niveau 4	3	4	4	6	6	9	12	7	10	15	7	9	13	6	4	1	1	1		
Niveau 5	4	6	6	6	7	10	13	9	12	16	9	10	15	7	4	4	3	1		
Niveau 6	4	7	6	7	9	12	15	10	13	18	10	12	16	9	6	4	3	1		
Niveau 7	6	7	7	7	10	13	16	12	15	19	12	13	18	10	6	4	3	1		
Niveau 8	6	7	7	7	12	15	18	13	16	21	13	15	19	12	6	4	3	1		
Niveau 9	6	7	7	7	13	16	19	15	18	22	15	16	21	13	7	6	4	1		
Niveau 10	6	7	9	9	15	18	21	16	19	24	16	18	22	15	7	6	4	1		
Niveau 11	6	7	10	10	16	19	22	18	21	25	18	19	24	16	9	7	6	1		
Niveau 12	6	7	12	12	18	21	24	19	22	27	19	21	25	18	9	7	6	1		
Niveau 13	6	7	13	13	19	22	25	21	24	28	21	22	27	19	10	9	7	1		
Niveau 14	6	7	13	13	21	24	27	22	25	30	22	24	28	21	10	9	7	1		

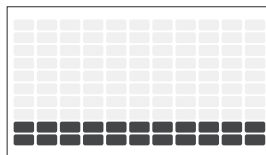
(Comfort 4.0, 8.1, R8.0)





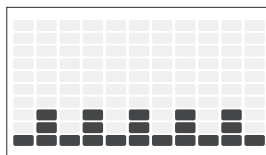
**10) WATTS CONSTANTS :** Cet entraînement ajuste automatiquement la résistance pour vous maintenir dans une plage de Watts définie et maintient votre niveau d'intensité d'exercice souhaité.

- 1) Sélectionnez le programme Watts constants en utilisant ▲▼ et appuyez sur ENTER.
- 2) Sélectionnez le temps en utilisant ▲▼ et appuyez sur ENTER.
- 3) Sélectionnez les watts désirés en utilisant ▲▼ et appuyez sur ENTER.
- 4) Appuyez sur START ►|| pour commencer le programme.



**11) PROGRAMME D'INTERVALLE DE WATTS :** Vous permet de choisir une valeur WATT élevée et une valeur WATT basse. Le programme d'intervalle bascule entre les valeurs WATT élevées et basses, ce qui permet un entraînement très intense et efficace.

- 1) Sélectionnez le programme Watts constants en utilisant et appuyez sur enter.
- 2) Sélectionnez le temps en utilisant et appuyez sur Enter.
- 3) Sélectionnez la cible de watts faibles souhaitée et appuyez sur Enter.
- 4) Sélectionnez la cible de watts élevées souhaitée et appuyez sur Enter.
- 5) Appuyez sur START ►|| pour commencer le programme.

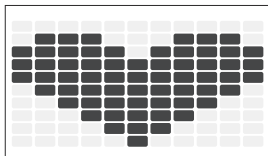


Remarque : Les programmes watts sont liés aux tr / min. La résistance changera automatiquement en fonction de votre vitesse de pédalage et veille à garder votre entraînement dans votre watt cible. Veuillez ne pas pédaler trop lentement ou trop vite. Si vous êtes hors de la zone cible, l'écran LCD affichera un signe de flèche à côté de la colonne tr / min pour vous indiquer d'ajuster votre vitesse. Flèche vers le haut pour accélérer vos tr / min et flèche vers le bas pour ralentir votre entraînement.

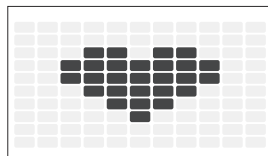


**12) ZONE THR :** Simulez l'intensité de votre sport préféré pendant que la résistance du programme s'ajuste automatiquement pour maintenir une plage de fréquence cardiaque cible (THR : Target Heart Rate) définie. (Suggérez l'utilisation de la ceinture thoracique avec ce programme. Vous pouvez acheter la ceinture thoracique séparément auprès de votre revendeur)

- 1) Sélectionnez le programme Zone THR à l'aide de ▲ ▼ et appuyez sur ENTER.
- 2) Sélectionnez TIME en utilisant ▲ ▼ et appuyez sur ENTER.
- 3) La fenêtre HEART RATE clignote, indiquant la fréquence cardiaque cible par défaut de 80 battements par minute. Sélectionnez votre fréquence cardiaque cible (dans le tableau d'entraînement de la fréquence cardiaque) à l'aide de ▲ ▼ et appuyez sur ENTER.
- 4) Appuyez sur START ►|| pour commencer.

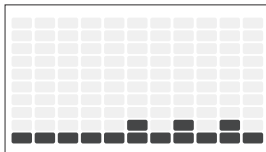


**13)% THR :** Bénéficiez d'une perte de poids en maintenant un niveau d'exercice optimal pour brûler les graisses, tout en ajustant la résistance pour vous maintenir dans votre zone de fréquence cardiaque cible. Configurez d'abord vos données personnelles (votre appareil calculera automatiquement votre fréquence cardiaque d'entraînement maximale) et sélectionnez le pourcentage que vous souhaitez utiliser en fonction de votre fréquence cardiaque maximale. (Suggérez l'utilisation de la ceinture thoracique avec ce programme. Vous pouvez acheter la ceinture thoracique séparément auprès de votre revendeur)



Remarque : Le programme de fréquence cardiaque est basé sur votre objectif de fréquence cardiaque. La résistance changera automatiquement en fonction de votre vitesse de pédalage et veille à garder votre entraînement dans votre fréquence cardiaque cible. Veuillez ne pas pédaler trop lentement ou trop vite. Si vous êtes hors de la zone cible, l'écran LCD affichera un signe de flèche à côté de la colonne tr / min pour vous indiquer d'ajuster votre vitesse. Flèche vers le haut pour accélérer vos tr / min, flèche vers le bas pour ralentir votre entraînement.

**14)CONSTRUCTEUR DE FORCE** : Aidez-vous à augmenter progressivement votre force musculaire avec un programme d'entraînement prédéfini. Programme basé sur le temps avec 20 niveaux au choix. L'utilisateur définit le temps et le niveau à l'aide de (flèches haut / bas) et ENTER.



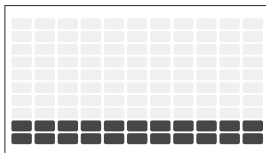
	CONSTRUCTEUR DE FORCE																			
	Échauffement					Segments de programme - Répéter										Repos				
Secondes	60	60	60	60	60	60	60	60	60	60	60	60	60	60	60	60	60	60	60	60
Segment	1	2	3	4	5	6	7	8	9	10	11	12	13	14	15	16	17	18	19	20
Niveau 1	1	1	3	3	1	4	1	4	1	4	1	4	1	4	1	4	3	3	1	1
Niveau 2	1	1	3	3	3	4	3	6	3	4	3	6	3	4	3	6	3	3	1	1
Niveau 3	1	1	3	3	4	4	3	4	4	3	4	4	3	4	4	3	3	3	1	1
Niveau 4	1	3	3	4	6	6	3	6	6	3	6	6	3	6	6	3	4	3	3	1
Niveau 5	3	4	4	4	4	7	4	7	4	7	4	7	4	7	4	7	4	4	4	3
Niveau 6	3	4	6	6	6	9	6	9	6	9	6	9	6	9	6	9	6	6	4	3
Niveau 7	4	6	7	9	9	12	7	12	9	10	7	12	9	10	7	12	9	7	6	4
Niveau 8	4	6	7	9	12	12	9	12	12	9	12	12	9	12	12	9	9	7	6	4
Niveau 9	6	9	10	10	12	15	12	15	12	15	12	15	12	15	12	15	10	10	9	6
Niveau 10	6	9	10	10	15	15	12	15	15	12	15	15	12	15	15	12	10	10	9	6
Niveau 11	6	10	12	13	15	18	15	18	15	18	15	18	15	18	15	18	13	12	10	6
Niveau 12	6	10	12	13	18	18	15	18	18	15	18	18	15	18	18	15	13	12	10	6
Niveau 13	7	12	13	15	18	21	18	21	18	21	18	21	18	21	18	21	15	13	12	7
Niveau 14	7	12	13	15	21	21	18	21	21	18	21	21	18	21	21	18	15	13	12	7
Niveau 15	9	13	16	18	21	24	21	24	21	24	21	24	21	24	21	24	18	16	13	9
Niveau 16	9	13	16	18	24	24	21	24	24	21	24	24	21	24	24	21	18	16	13	9
Niveau 17	9	15	16	18	25	25	22	25	25	22	25	25	22	25	25	22	18	16	15	9
Niveau 18	10	15	18	19	27	27	24	27	27	24	27	27	24	27	27	24	19	18	15	10
Niveau 19	10	16	19	21	28	28	25	28	28	25	28	28	25	28	28	25	21	19	16	10
Niveau 20	12	18	21	22	30	30	25	30	30	25	30	30	25	30	30	25	22	21	18	12

(Comfort 4.0, 8.1, R8.0)

## 15) PERSONNALISATION 1 & 2 : Entraînement personnalisé, le temps par défaut est de 15 minutes.

(Comfort 3 n'a pas Personnalisé 2)

- 1) Entrez d'abord le réglage du programme et l'affichage du profil vous guidera à travers toute la colonne d'entraînement.
- 2) Utilisez les flèches supérieure et inférieure pour modifier la résistance et appuyez sur Enter pour confirmer. La console affichera votre numéro de segment actuel et vous guidera du segment 1 au segment 15.
- 3) Une fois tous les réglages terminés, appuyez sur START ►|| pour commencer.



## ENTRAÎNEMENT DE FRÉQUENCE CARDIAQUE

La première étape pour connaître la bonne intensité pour votre entraînement consiste à déterminer votre fréquence cardiaque maximale (FC max = 220 - votre âge). La méthode basée sur l'âge fournit une prédiction statistique moyenne de votre FC maximale. C'est une bonne méthode pour la majorité des gens, notamment pour les débutants en entraînement à la fréquence cardiaque. Le moyen le plus précis et exact de déterminer votre FC maximale individuelle est de la soumettre à un test clinique effectué par un cardiologue ou un physiologiste de l'exercice, au moyen d'un test de stress maximal. Si vous avez plus de 40 ans, si vous êtes en excès de poids, si vous êtes sédentaire depuis plusieurs années ou si vous avez des antécédents de maladie cardiaque dans votre famille, des tests cliniques sont recommandés. Ce graphique donne des exemples de plage de fréquence cardiaque pour un sujet de 30 ans faisant de l'exercice dans 5 zones de fréquence cardiaque différentes. Par exemple, la FC maximale d'un sujet de 30 ans est de  $220 - 30 = 190$  battements par minute et sa fréquence cardiaque maximale à 90% est de  $190 \times 0,9 = 171$  battements par minute.

Zone de fréquence cardiaque cible	Durée d'entraînement	Exemple de zone THR (30 ans)	Votre Zone THR	Recommandée pour
<b>TRÈS DUR</b> 90 - 100%	< 5 MIN	171 - 190 BPM		Personnes aptes à un entraînement athlétique
<b>DUR</b> 80 - 90%	2 - 10 MIN	152 - 171 BPM		Entraînements courts
<b>MODÉRÉE</b> 70 - 80%	10 - 40 MIN	133 - 152 BPM		Entraînements moyennement longs
<b>LÉGER</b> 60 - 70%	40 - 80 MIN	114 - 133 BPM		Exercices plus longs et exercices plus courts répétés fréquemment
<b>TRÈS LÉGER</b> 50 - 60%	20 - 40 MIN	104 - 114 BPM		Gestion du poids et récupération active




## UTILISATION DE VOTRE LECTEUR MULTIMÉDIA



- 1) Connectez le CÂBLE D'ADAPTATEUR AUDIO inclus à la PRISE D'ENTRÉE AUDIO de la console et à la prise casque de votre lecteur multimédia.
- 2) Utilisez les boutons de votre lecteur multimédia pour régler les paramètres de la chanson.
- 3) Retirez le CÂBLE DE L'ADAPTATEUR AUDIO lorsque vous ne l'utilisez pas.

## SYNCHRONISATION DU VÉLO AVEC PASSPORT (COMFORT 2.0 N'EST PAS INCLUS)

- 1) À l'aide de la touche de flèche de la télécommande Passport, faites défiler jusqu'à l'icône de configuration et appuyez sur Sélectionner.
- 2) Suivez le message à l'écran invitant à appuyer et maintenir  enfoncé sur la console de l'équipement pendant 3 à 5 secondes.
- 3) Une fois la synchronisation effectuée, la barre de messages de votre vélo passera de Sync RF à Passport Ready.
- 4) Le message affiché à l'écran vous avertira si la synchronisation a réussi ou échoué.



## MODE ÉCONOMIE D'ÉNERGIE

Cette machine est équipée du mode d'économie d'énergie. Lorsque le mode Économie d'énergie est activé, l'écran passe automatiquement en mode veille (mode Économie d'énergie) après 15 minutes d'inactivité. Cette fonctionnalité permet d'économiser de l'énergie en désactivant la majeure partie du courant de la machine jusqu'à ce qu'une touche soit enfoncée sur la console. Vous pouvez activer et désactiver cette fonction à l'aide du menu d'ingénierie.

## **MODE INGÉNIERIE :**

Pour entrer dans le menu d'ingénierie, appuyez et maintenez enfoncé ▲ et ▼ pendant 3-5 secondes.

### **BASCULEMENT ENTRE LE MODE BRITANNIQUE ET LE MODE MÉTRIQUE**

Utilisez les touches de flèche ▲ et ▼ pour naviguer vers Eng2 et appuyez sur Enter. Utilisez la touche Enter pour accéder à P1. Utilisez les touches de flèche ▲ et ▼ pour basculer entre STANDARD (BRITANNIQUE) et MÉTRIQUE.

### **CHANGEMENT DE LA LANGUE D'AFFICHAGE**

Utilisez les touches de flèche▲ et ▼ pour naviguer vers Eng2 et appuyez sur Enter. Utilisez la touche Enter pour accéder à P2. Appuyez sur ENTER pour sélectionner le mode langue ; utilisez les touches de flèche pour sélectionner la langue souhaitée.

Appuyez sur STOP ►|| et maintenez-le enfoncé pendant 3 à 5 secondes pour quitter ENG 2. Appuyez à nouveau sur STOP ►|| pendant 3 à 5 secondes pour quitter le menu d'ingénierie.

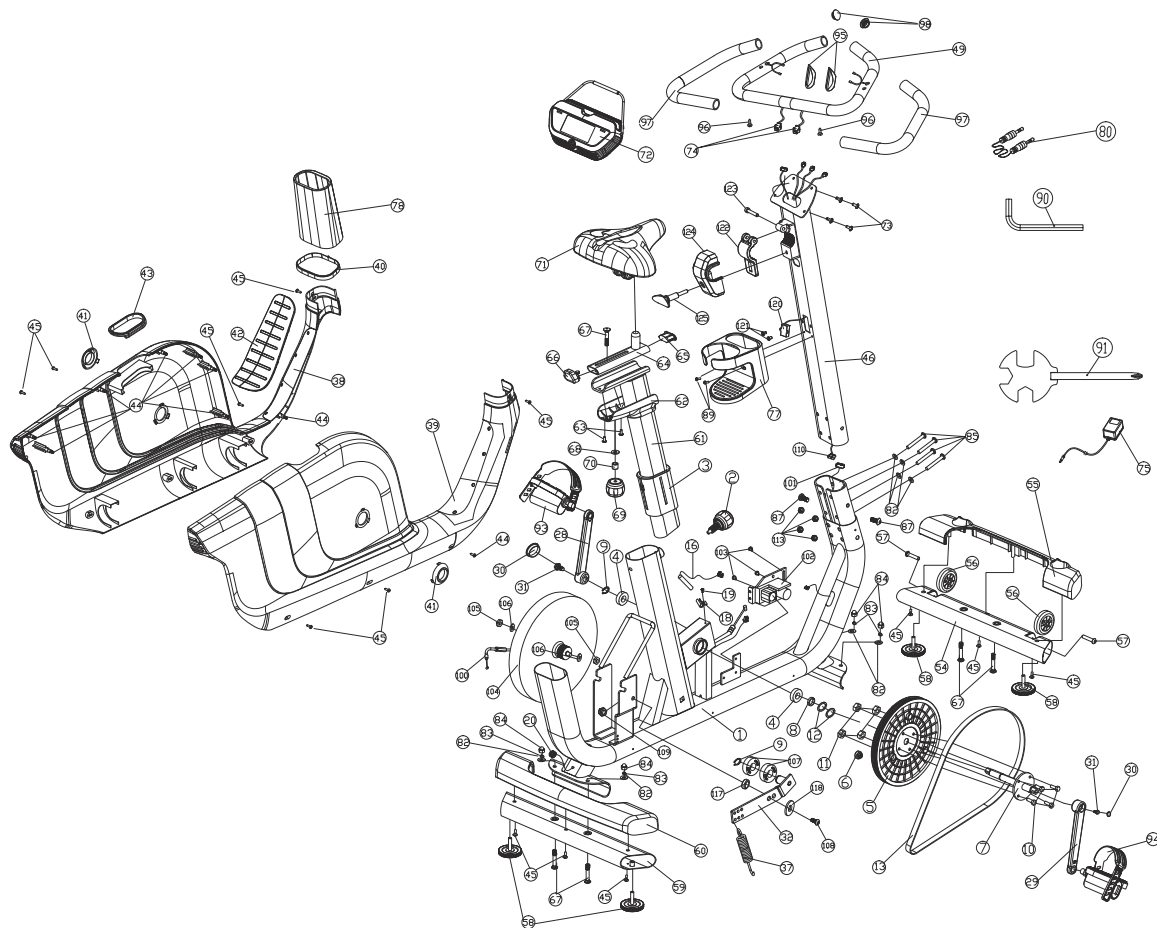
### **ACTIVATION / DÉSACTIVION DE LA FONCTION D'ÉCONOMIE D'ÉNERGIE**

Utilisez les touches de flèche ▲ et ▼ pour naviguer vers Eng2 et appuyez sur Enter. Utilisez la touche Enter pour accéder à P5. Appuyez sur ENTER pour sélectionner le mode d'économie d'énergie, utilisez les touches de flèche ▲ et ▼ pour sélectionner ÉCONOMIE D'ÉNERGIE ACTIVÉ ou DÉSACTIVÉ. Appuyez sur STOP ►|| et maintenez-le enfoncé pendant 3 à 5 secondes pour quitter ENG 2. Appuyez à nouveau sur STOP ►|| pendant 3 à 5 secondes pour quitter le menu d'ingénierie.





## VUE ÉCLATÉE COMFORT 2.0



## LISTE DES PIÈCES CONFORT 2.0

N°	DESCRIPTION	QTÉ
1	CHÂSSIS PRINCIPAL	1
2	BROCHE À ENFONCER	1
3	BAGUE INTÉRIEURE	1
4	ROULEMENT	2
5	POULIE D'ENTRAÎNEMENT	1
6	AIMANT	1
7	ARBRE DE TRANSMISSION	1
8	ESPACEUR	1
9	C-CLIP	1
9	C-CLIP	1
10	VIS ALLEN HEXAGONALE	4
11	ÉCROU NYLON	4
12	RONDELLE ONDULÉE	2
13	COURROIE	1
16	CÂBLE DE CAPTEUR	1
18	PLASTIQUE DE FIXATION DE CAPTEUR ROND	1
19	AUTO-TARAUDAGE POUR FORAGE CRUCIFORME À TÊTE RONDE	1
20	CORDON D'ALIMENTATION	1
28	MANIVELLE GAUCHE	1
29	MANIVELLE DROITE	1
30	COUVERCLE DE MANIVELLE	2
31	VIS À BRIDE HEXAGONALE	2
32	PLAQUE DE FIXATION DE ROUE FOLLE	1
37	RESSORT DE FLEXION DE ROUE FOLLE	1
38	CARÉNAGE GAUCHE	1

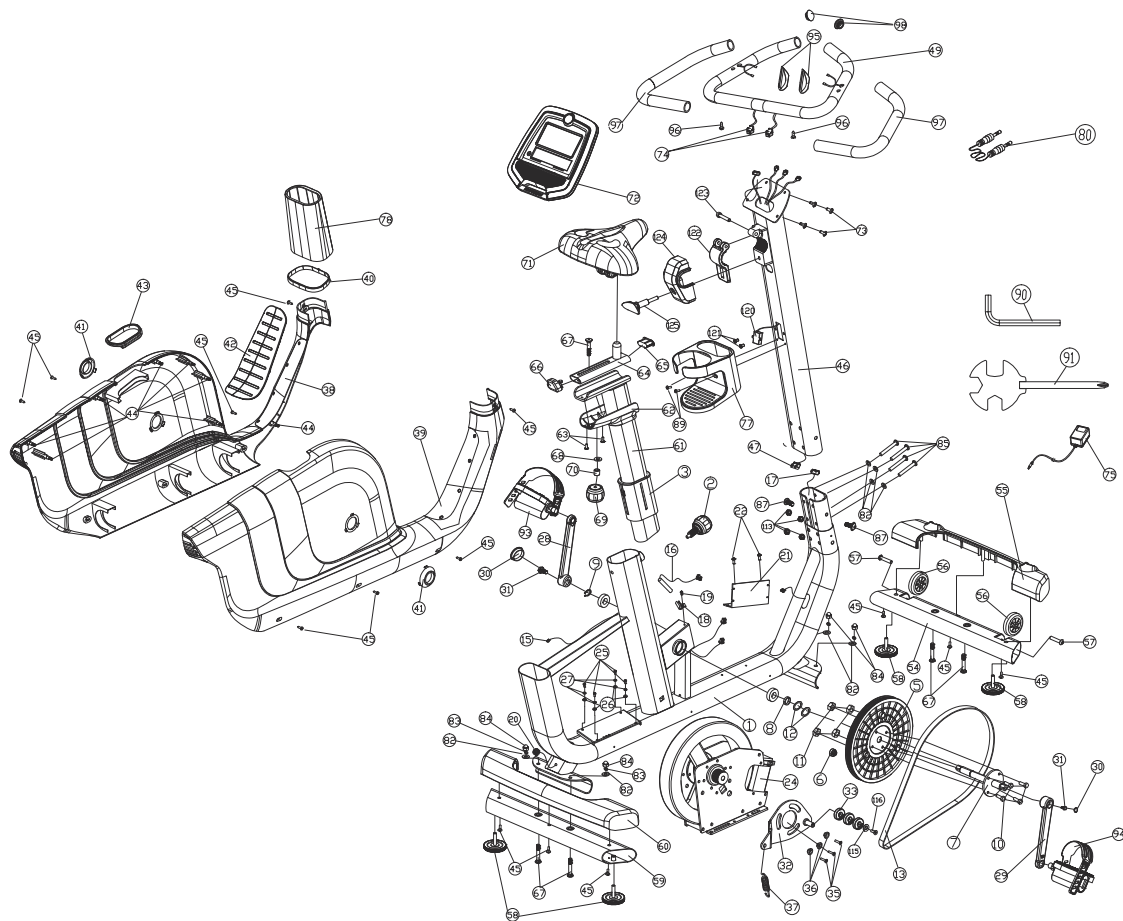
N°	DESCRIPTION	QTÉ
39	CARÉNAGE DROIT	1
40	BAGUE DÉCORATIVE DE MÂT DE CONSOLE	1
41	BAGUE DÉCORATIVE DE MANIVELLE	2
42	COUSSINET DE CADRE OUVERT EN CAOUTCHOUC	1
43	COUSSINET DE TUBE DE SUPPORT POUR MONTANT DE SELLE	1
44	CLIP	8
45	VIS AUTO-TARAUDEUSE CRUCIFORME DE STRUCTURE	14
46	MÂT DE CONSOLE	1
54	STABILISATEUR AVANT	1
55	CACHE STABILISATEUR AVANT	1
56	ROUE DE TRANSPORT	2
57	VIS HEXAGONALE DE STRUCTURE	2
58	NIVELLEUR	4
59	STABILISATEUR ARRIÈRE	1
60	CACHE STABILISATEUR ARRIÈRE	1
61	TIGE DE SELLE	1
62	CACHE TIGE DE SELLE	1
63	VIS CRUCIFORME À TÊTE RONDE	2
64	ARBRE DE SUPPORT DE SELLE	1
65	EMBOUT D'EXTRÉMITÉ	1
66	CROCHET À SERVIETTES	1
67	VIS DE TRANSPORT	9
68	RONDELLE PLATE	1
69	BOUTON	1
70	ESPACEUR	1

## LISTE DES PIÈCES CONFORT 2.0

N°	DESCRIPTION	QTÉ
71	COUSSINET DE SELLE	1
72	CONSOLE	1
73	VIS CRUCIFORME DE STRUCTURE	4
74	CÂBLE DE CAPTEUR FC AVEC POIGNÉE	2
75	ADAPTATEUR SECTEUR	1
77	PORTE-BIDON B	1
78	ŒILLET DE MÂT DE CONSOLE	1
80	CÂBLE AUDIO	1
82	RONDELLE PLATE	20
83	RONDELLE ÉLASTIQUE	12
84	ÉCROU	12
85	VIS HEXAGONALE DE STRUCTURE	8
87	VIS HEXAGONALE DE STRUCTURE	4
89	VIS CRUCIFORME FRAISÉE	4
90	CLÉ HEXAGONALE	2
91	CLÉ « PLUS »	2
93	PÉDALE GAUCHE	1
94	PÉDALE DROITE	1
95	CAPTEUR FC AVEC POIGNÉE	2
96	VIS AUTO-TARAUDEUSE CRUCIFORME DE STRUCTURE ST4X25	2
97	POIGNÉE EN MOUSSE	1
98	EMBOUT D'EXTRÉMITÉ DE STRUCTURE	2
100	CÂBLE DE RÉGLAGE	1

N°	DESCRIPTION	QTÉ
101	CÂBLE CONSOLE INFÉRIEUR	1
102	MOTEUR	1
103	VIS CRUCIFORME À TÊTE RONDE	3
104	VOLANT	1
105	ÉCROU À VIS À BRIDE ALLEN	2
106	RONDELLE	2
107	ROULEMENT	2
108	VIS HEXAGONALE À TÊTE PLATE	1
109	ÉCROU NYLON	1
110	CÂBLE CONSOLE DU MILIEU	1
113	ÉCROU NYLON	4
117	ESPACEUR	1
118	RONDELLE PLATE	1
120	RÉCEPTEUR D'IMPULSIONS À MAIN SANS FIL	1
121	VIS AUTO-TARAUDEUSE CRUCIFORME FRAISÉE	2
49+97	POIGNÉE À MAIN + POIGNÉE EN MOUSSE	1
122	CLAMP II	1
123	VIS D'ASSEMBLAGE SCKT-HD	1
124	CACHE GUIDON	1
125	BOUTON EN FORME DE T	1

# VUE ÉCLATÉE COMFORT 4.0 / 8.1



## LISTE DES PIÈCES CONFORT 4.0 / 8.1

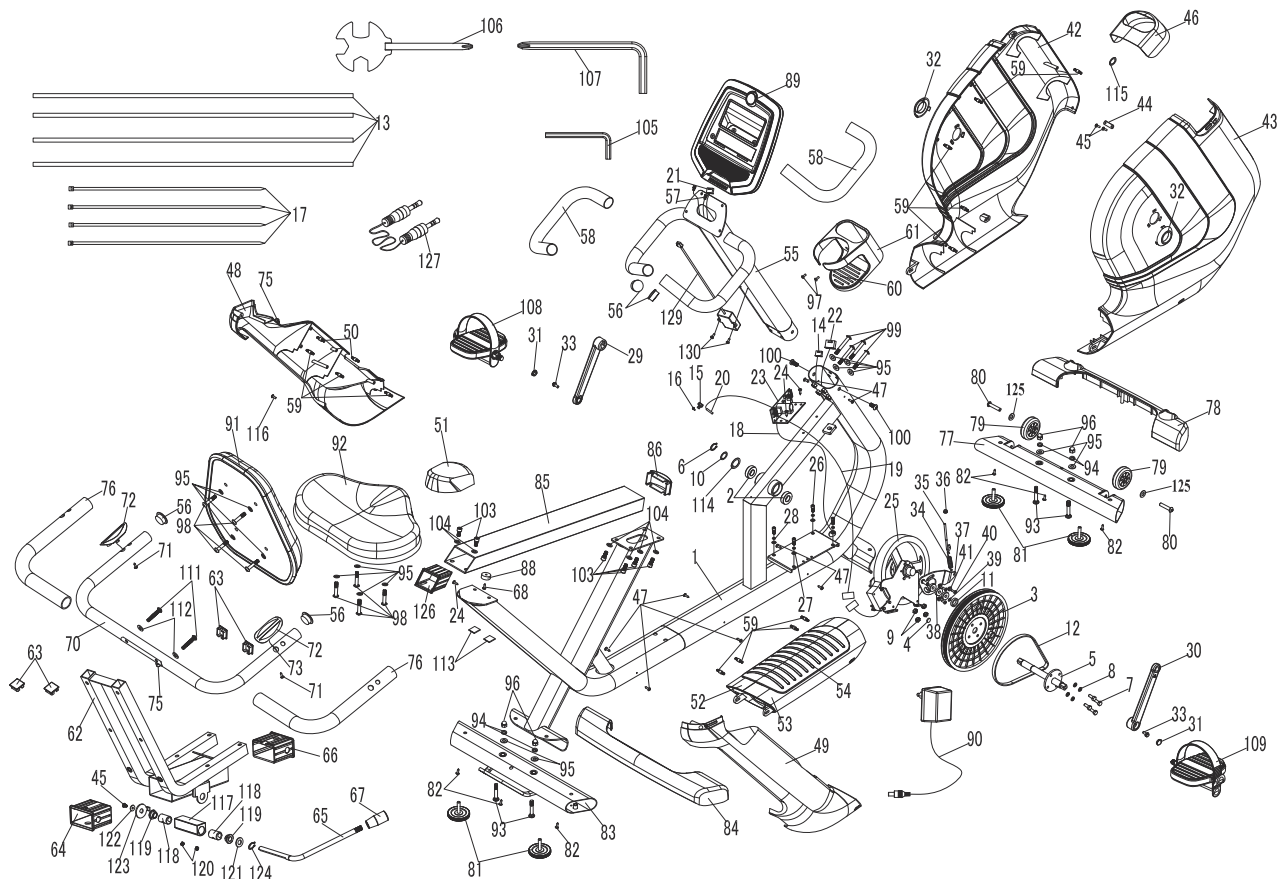
N°	DESCRIPTION	QTÉ
2	BROCHE À ENFONCER	1
3	BAGUE INTÉRIEURE	1
4	ROULEMENT	1
5	POULIE D'ENTRAÎNEMENT	1
6	AIMANT	1
7	ARBRE DE TRANSMISSION ; NOUVEAU ;	1
8	ESPACEUR ; NOUVEAU ;	1
9	C-CLIP	1
10	VIS ALLEN HEXAGONALE ; NOUVEAU ;	1
11	ÉCROU NYLON	1
12	RONDELLE ONDULÉE	1
13	COURROIE	1
15	FIL DE CONNEXION DU CONTRÔLEUR INFÉRIEUR À INDUCTION	1
16	CÂBLE DE CAPTEUR	1
17	CÂBLE CONSOLE INFÉRIEUR	1
18	PLASTIQUE DE FIXATION DE CAPTEUR ROND	1
19	AUTO-TARAUDAGE POUR FORAGE CRUCIFORME À TÊTE RONDE	1
20	CORDON D'ALIMENTATION	1
21	PANNEAU DE COMMANDE INFÉRIEUR	1
22	VIS AUTO-TARAUDEUSE CRUCIFORME DE STRUCTURE	1
24	VOLANT À INDUCTION	1
25	VIS HEXAGONALE À TÊTE RONDE	1
26	RONDELLE	1

N°	DESCRIPTION	QTÉ
27	RONDELLE ÉLASTIQUE	1
28	MANIVELLE GAUCHE	1
29	MANIVELLE DROITE	1
30	COUVERCLE DE MANIVELLE	1
31	VIS À BRIDE HEXAGONALE	1
32	PLAQUE DE FIXATION DE ROUE FOLLE ; NOUVEAU ;	1
33	ROULEMENT	1
35	VIS CRUCIFORME FRAISÉE	1
36	MANCHE	1
37	RESSORT DE FLEXION DE ROUE FOLLE	1
38	CARÉNAGE GAUCHE	1
39	CARÉNAGE DROIT	1
40	BAGUE DÉCORATIVE DE MÂT DE CONSOLE	1
41	BAGUE DÉCORATIVE DE MANIVELLE	1
42	COUSSINET DE CADRE OUVERT EN CAOUTCHOUC	1
43	COUSSINET DE TUBE DE SUPPORT POUR MONTANT DE SELLE	1
44	CLIP	1
45	VIS AUTO-TARAUDEUSE CRUCIFORME DE STRUCTURE	1
46	MÂT DE CONSOLE	1
47	CÂBLE CONSOLE DU MILIEU	1
49+97	POIGNÉE À MAIN	1
54	STABILISATEUR AVANT	1
55	CACHE STABILISATEUR AVANT	1
56	ROUE DE TRANSPORT	1

N°	DESCRIPTION	QTÉ
57	VIS HEXAGONALE DE STRUCTURE	1
58	NIVELLEUR	1
59	REAR STABILIZER	1
60	CACHE STABILISATEUR ARRIÈRE	1
61	TIGE DE SELLE	1
62	CACHE TIGE DE SELLE	1
63	VIS CRUCIFORME À TÊTE RONDE	1
64	ARBRE DE SUPPORT DE SELLE	1
65	EMBOUT D'EXTRÉMITÉ	1
66	CROCHET À SERVIETTES	1
67	ÉCROU DE TRANSPORT	2
68	RONDELLE PLATE	1
69	BOUTON	1
70	ESPACEUR	1
71	SELLE	1
72	CONSOLE	1
73	VIS CRUCIFORME DE STRUCTURE	1
74	CÂBLE DE CAPTEUR FC AVEC POIGNÉE	2
75	ADAPTATEUR	1
77	PORTE-BIDON B	1
78	ŒILLET DE MÂT DE CONSOLE	1
80	CÂBLE AUDIO	1
82	RONDELLE PLATE	3
83	RONDELLE ÉLASTIQUE	2

N°	DESCRIPTION	QTÉ
84	ÉCROU	2
85	VIS HEXAGONALE DE STRUCTURE	2
87	VIS HEXAGONALE DE STRUCTURE	12
89	VIS CRUCIFORME FRAISÉE	1
90	CLÉ HEXAGONALE	1
91	CLÉ « PLUS »	1
93	PÉDALE GAUCHE	1
94	PÉDALE DROITE	1
95	CAPTEUR FC AVEC POIGNÉE	2
96	VIS AUTO-TARAUDEUSE CRUCIFORME DE STRUCTURE	2
97	MOUSSE - GUIDON	1
98	EMBOUT D'EXTRÉMITÉ DE STRUCTURE	2
113	ÉCROU NYLON	2
115	RONDELLE	1
116	VIS CRUCIFORME FRAISÉE	1
120	RÉCEPTEUR D'IMPULSIONS À MAIN SANS FIL	1
121	VIS AUTO-TARAUDEUSE CRUCIFORME FRAISÉE	2
1-1	CHÂSSIS PRINCIPAL ; NOUVEAU	1
122	CLAMP II	1
123	VIS D'ASSEMBLAGE SCKT-HD	1
124	CACHE GUIDON	1
125	BOUTON EN FORME DE T	1

# VUE ÉCLATÉE COMFORT R8.0



## LISTE DES PIÈCES CONFORT R8.0

N°	DESCRIPTION	QTÉ
1	CHÂSSIS PRINCIPAL	1
2	ROULEMENT	2
3	POULIE D'ENTRAÎNEMENT	1
4	AIMANT	1
5	ARBRE DE TRANSMISSION	1
6	C-CLIP	1
7	VIS ALLEN HEXAGONALE	4
8	RONDELLE ÉLASTIQUE	4
9	ÉCROU NYLON	4
10	RONDELLE ONDULÉE	1
11	BAGUE	1
12	COURROIE	1
13	RUBAN À FERMETURE PAR TORSADE	4
14	FIL DE CAPTEUR DE POULS POUR CADRE	1
15	PLASTIQUE DE FIXATION DE CAPTEUR ROND	1
16	AUTO-TARAUDAGE POUR FORAGE CRUCIFORME À TÊTE RONDE	1
17	COLLIER DE SERRAGE	4
18	CORDON D'ALIMENTATION	1
20	CÂBLE DE CAPTEUR DE VITESSE	1
21	CÂBLE CONSOLE DU MILIEU	1
22	CÂBLE CONSOLE INFÉRIEUR	1
23	PANNEAU DE COMMANDE INFÉRIEUR	1
24	ÉCROU À VIS COULISSANTE À BRIDE HEXAGONALE ALLEN	3
24	VIS AUTO-TARAUDEUSE DE STRUCTURE	1
25	VOLANT À INDUCTION	1

N°	DESCRIPTION	QTÉ
26	VIS HEXAGONALE	4
27	RONDELLE	4
28	RONDELLE ÉLASTIQUE	4
29	MANIVELLE GAUCHE	1
30	MANIVELLE DROITE	1
31	COUVERCLE DE MANIVELLE	1
31	COUVERCLE DE MANIVELLE	1
32	BAGUE DÉCORATIVE DE MANIVELLE	2
33	VIS COULISSANTE À BRIDE HEXAGONALE ALLEN	1
33	VIS COULISSANTE À BRIDE HEXAGONALE ALLEN	1
34	RESSORT DE FLEXION DE ROUE FOLLE	1
35	VIS DE RÉGLAGE	1
36	VIS À BRIDE	1
37	PLAQUE DE FIXATION DE ROUE FOLLE	1
38	ROULEMENT	3
39	C-CLIP	1
40	VIS CRUCIFORME FRAISÉE	3
41	BAGUE	3
42	CARÉNAGE GAUCHE	1
43	CARÉNAGE DROIT	1
44	PLAQUE DE RACCORDEMENT	1
45	VIS CRUCIFORME DE STRUCTURE	1
45	VIS CRUCIFORME DE STRUCTURE	2
46	ŒILLET DE MÂT DE CONSOLE	1
47	VIS AUTO-TARAUDEUSE CRUCIFORME DE STRUCTURE	4



## LISTE DES PIÈCES CONFORT R8.0

N°	DESCRIPTION	QTÉ
47	VIS AUTO-TARAUDEUSE CRUCIFORME DE STRUCTURE	4
48	CACHE GAUCHE DU TUBE DE SUPPORT ARRIÈRE	1
49	CACHE DROIT DU TUBE DE SUPPORT ARRIÈRE	1
50	CLIP-COURT	2
51	CACHE SUPÉRIEUR DU TUBE DE SUPPORT ARRIÈRE	1
52	CACHE GAUCHE DU TUBE DE BASE	1
53	CACHE DROIT DU TUBE DE BASE	1
54	COUSSINET DE CADRE OUVERT EN CAOUTCHOUC	1
55	MÂT DE CONSOLE	1
56	EMBOUT D'EXTRÉMITÉ DE STRUCTURE	2
56	EMBOUT D'EXTRÉMITÉ DE STRUCTURE	2
57	CÂBLE FC DE POIGNÉE SUPÉRIEURE	1
58	POIGNÉE EN MOUSSE- AVANT	2
59	CLIP-COURT	5
60	PORTE-BIDON A	1
62	ENSEMBLE DE BASE DE CADRE DE SELLE	1
63	EMBOUT D'EXTRÉMITÉ	4
64	BAGUE	1
65	POIGNÉE DE RÉGLAGE DE LA SELLE	1
66	BAGUE	1
67	BOUCHON PLASTIQUE DE POIGNÉE	1
68	VIS AUTO-TARAUDEUSE CRUCIFORME DE STRUCTURE	1
70	ENSEMBLE DE SOUDURE DE GUIDON ARRIÈRE	1
71	VIS DE TARAUDAGE	2
72	CAPTEUR FC AVEC POIGNÉE	2

N°	DESCRIPTION	QTÉ
73	CÂBLE DE CAPTEUR FC À POIGNÉE POUR LE GUIDON	1
75	CAPUCHON DE CORDON	1
75	CAPUCHON DE CORDON	1
76	POIGNÉE EN MOUSSE	2
77	ASSEMBLAGE STABILISATEUR AVANT	1
78	CACHE STABILISATEUR AVANT	1
79	ROUE DE TRANSPORT	2
80	VIS HEXAGONALE DE STRUCTURE	2
81	NIVELLEUR	2
81	NIVELLEUR	2
82	VIS CRUCIFORME DE STRUCTURE	6
83	ASSEMBLAGE STABILISATEUR ARRIÈRE	1
84	CACHE STABILISATEUR ARRIÈRE	1
85	RAIL DE SELLE	1
86	EMBOUT D'EXTRÉMITÉ ARC	1
88	BUTÉE DE SELLE	1
89	CONSOLE	1
90	ADAPTATEUR	1
91	COUSSINET DE DOSSIER	1
92	COUSSINET DE SELLE	1
93	VIS DE TRANSPORT	8
94	RONDELLE ÉLASTIQUE	8
95	RONDELLE PLATE	32
96	ÉCROU	8
97	VIS AUTO-TARAUDEUSE CRUCIFORME DE STRUCTURE	4

N°	DESCRIPTION	QTÉ
98	VIS HEXAGONALE DE STRUCTURE	16
99	VIS HEXAGONALE DE STRUCTURE	8
100	VIS HEXAGONALE DE STRUCTURE	4
103	VIS HEXAGONALE CKS	12
104	RONDELLE ÉLASTIQUE	6
105	CLÉ HEXAGONALE	2
106	CLÉ « PLUS »	2
107	CLÉ HEXAGONALE	2
108	PÉDALE GAUCHE	1
109	PÉDALE DROITE	1
111	VIS HEXAGONALE FRAISÉE	4
112	RONDELLE EN ARC	4
114	RONDELLE PLATE	2
115	COUSSINET EN PLASTIQUE	1
116	VIS AUTO-TARAUDEUSE À TÊTE RONDE	1
125	RONDELLE PLATE	2
126	BAGUE	1
127	FIL DE SOURCE SONORE	1
129	RÉCEPTEUR D'IMPULSIONS À MAIN SANS FIL	1
130	VIS AUTO-TARAUDEUSE CRUCIFORME FRAISÉE	2
42-1	CARÉNAGE GAUCHE	1
43-1	CARÉNAGE DROIT	1
46-1	ŒILLET DE MÂT DE CONSOLE	1
48-1	CACHE GAUCHE DU TUBE DE SUPPORT ARRIÈRE	1
49-1	CACHE DROIT DU TUBE DE SUPPORT ARRIÈRE	1

**EN : Waste Disposal**

VISION Fitness / HORIZON Fitness / TEMPO Fitness / TREO Fitness products are recyclable.  
At the end of its useful life please dispose of this article correctly and safely (local refuse sites).

**DE : Entsorgungshinweis**

Die Produkte VISION Fitness/HORIZON Fitness/TEMPO Fitness/TREO Fitness sind recycelbar.  
Führen Sie das Gerät am Ende der Nutzungsdauer einer sachgerechten Entsorgung zu (örtliche Sammelstelle).

**NL : Verwijderingsaanwijzing**

VISION Fitness / HORIZON Fitness / TEMPO Fitness / TREO Fitness producten zijn recyclebaar. Breng het apparaat aan het einde van de gebruiksduur naar een in recycling gespecialiseerd bedrijf (plaatselijk verzamelpunt).

**FR : Remarque relative à la gestion des déchets**

Les produits VISION Fitness / HORIZON Fitness / TEMPO Fitness / TREO Fitness sont recyclables. Lorsque cet appareil arrive en fin de vie, veuillez l'éliminer de manière correcte et en toute sécurité en le déposant dans une déchetterie communale.

**IT : Indicazione sullo smaltimento**

I prodotti VISION Fitness / HORIZON Fitness / TEMPO Fitness / TREO Fitness sono riciclabili. Quando l'apparecchio non servirà più, portarlo in un apposito punto di raccolta della propria città (punti di raccolta comunali).

**ES : Gestión de residuos**

Los productos de VISION Fitness / HORIZON Fitness / TEMPO Fitness / TREO Fitness son reciclables.  
Cuando se termine su vida útil, por favor deshágase de este artículo de forma correcta y segura en un punto limpio.

**PT (Br) : Descarte**

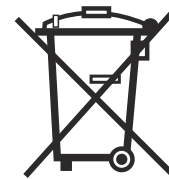
Os produtos VISION Fitness / HORIZON Fitness / TEMPO Fitness / TREO Fitness são recicláveis.  
No final de sua vida útil, descarte este equipamento corretamente e com segurança (sites de locais de lixo).

**ZH trad : 廢棄物處理**

VISION Fitness / HORIZON Fitness / TEMPO Fitness / TREO Fitness 產品為可回收產品。  
產品的使用年限期滿後，請依照正確且安全的方式處理本廢棄商品 (當地的廢棄場)。

**ZH simp. : 废弃物处理**

VISION Fitness / HORIZON Fitness / TEMPO Fitness / TREO Fitness 产品是可回收利用的。  
在其使用期结束后，请正确安全地 (在本地垃圾处理场) 处理本品。









Physio & Fitness

==== [www.sport-tec.de](http://www.sport-tec.de) ====

**Sport-Tec GmbH**  
**Physio & Fitness**  
Lemberger Str. 255  
D-66955 Pirmasens

**Tel.:** +49 (0) 6331 1480-0  
**Fax:** +49 (0) 6331 1480-220  
**E-Mail:** [info@sport-tec.de](mailto:info@sport-tec.de)  
**Web:** [www.sport-tec.de](http://www.sport-tec.de)